

# USLC

## COMPACT HIGH-CAPACITY COMPRESSION TYPE LOAD CELL



Can measure up to  
50 kN with diameter of 22 mm, and  
100 kN with diameter of 38 mm!

CE RoHS2 IP65\* Flexible cable

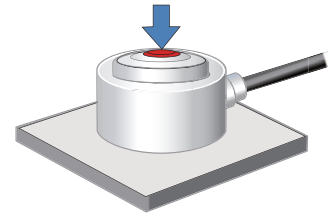
\* Supported only for USLC-100KN

### Specifications

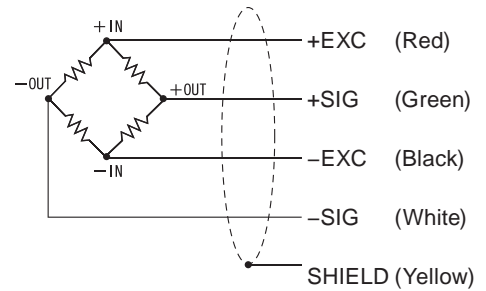
Model	USLC-50KN	USLC-100KN
Rated capacity	50 kN	100 kN
Rated output	Approx. 2mV/V	
Safe overload	150% R.C.	
Zero balance	±10% R.O.	
Non-linearity	0.3% or less R.O.	
Hysteresis	0.3% or less R.O.	
Repeatability	0.1% or less R.O.	
Compensated temperature range	-10 to +60°C	
Safe temperature range	-20 to +70°C	
Temperature effect on zero	0.5% R.O./10°C or below	
Temperature effect on span	0.5% R.O./10°C or below	
Input resistance	Approx. 700	
Output resistance	Approx. 700	
Recommended excitation voltage	5 V	
Maximum excitation voltage	10 V	
Insulation resistance (DC 50 V)	1000 M or more	
Cable	φ2 4-conductor flexible cable 3 m Cable end: 5 wires	φ3.8 4-conductor flexible cable 3 m Cable end: 5 wires
Loadcell material	Stainless steel	
Degrees of protection	-	IP65 equivalent *
RoHS directives	2011/65/EU (EU)2015/863	

\* Due to the characteristics of the stainless steel being used for, it is possible that it gets rusty on its surface. There is functionally no problem.

### Application example

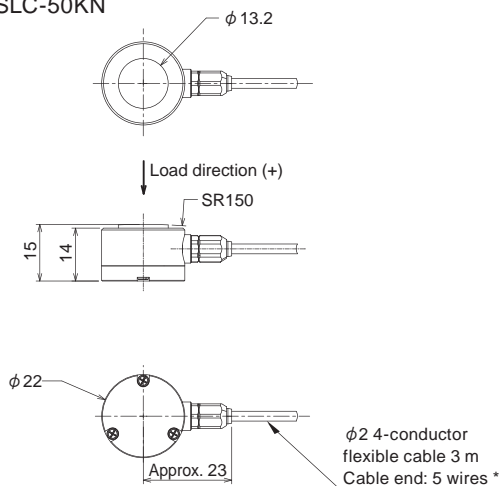


### Wiring diagram



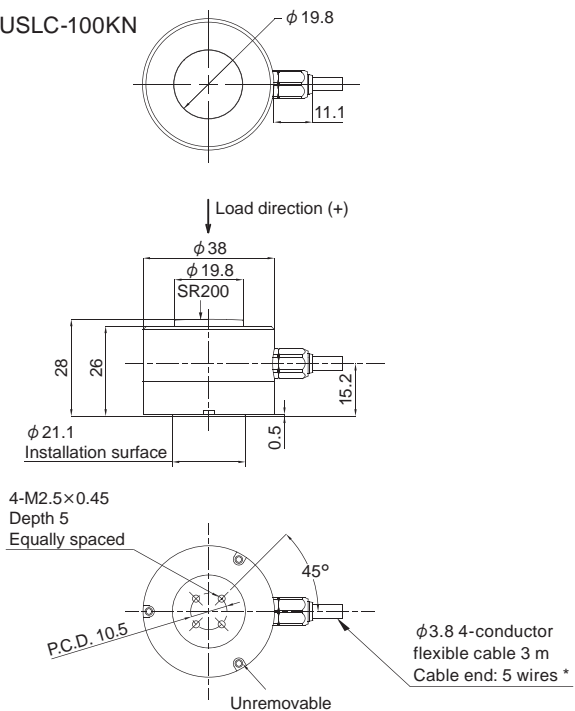
### External dimension

#### USLC-50KN



\* Connector can be attached to the cable according to your requests.

#### USLC-100KN



Model	Deflection at rated	Natural frequency	Weight
USLC-50KN	0.08 mm	39 kHz	40 g
USLC-100KN	0.07 mm	16.3 kHz	210 g

Unit: mm