

WASHER TYPE LOAD CELL



Easy-to-use thin washer type load cell! Visualization of screw axial force and fastening force

CE RoHS2 Flexible cable

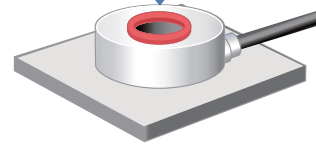
Washer type load cell

UWP

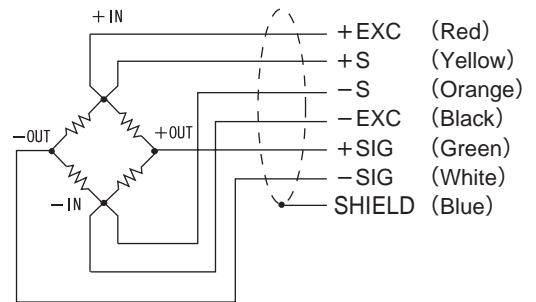
Specifications

Model	UWP-1KN, UWP-2KN	UWP-5KN, UWP-10KN, UWP-20KN
Rated capacity	1 kN, 2 kN	5 kN, 10 kN, 20 kN
Rated output	Approx. 1.0 mV/V	
Safe overload	300% R.C.	
Zero balance	±0.1 mV/V	
Non-linearity	2.0% R.O. or less R.O.	
Hysteresis	2.0% R.O. or less R.O.	
Repeatability	0.5% R.O. or less R.O.	
Compensated temperature range	0 to +60°C	
Safe temperature range	-10 to +70°C	
Temperature effect on zero	1% R.O./10°C or below	
Temperature effect on span	0.5% R.O./10°C or below	
Input resistance	Approx. 1000 Ω	
Output resistance	Approx. 1000 Ω	
Recommended excitation voltage	5 V	
Maximum excitation voltage	10 V	
Insulation resistance (DC 50 V)	2000 MΩ or more	
Cable	φ2.5 6 conductor flexible cable Oil-resistant type (3 m) Cable end: 7 wires	
Load cell material	Aluminum alloy	Stainless steel

Example of use

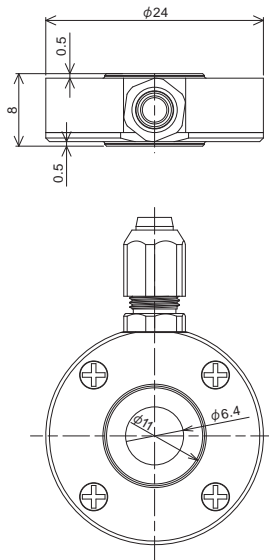


Wiring diagram

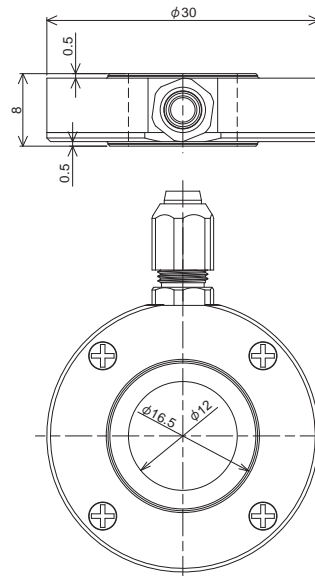


External dimension

UWP-1KN/ 2KN/ 5KN



UWP-10KN/ 20KN



Unit:mm

Model	Deflection at rated	Natural frequency	Weight
UWP-1KN	0.050 mm	16 kHz	10 g
UWP-2KN	0.060 mm		20 g
UWP-5KN	0.080 mm		30 g

Specifications, appearance, and design may be changed for improvement without prior notice. Please check with us when ordering.

Unipulse Corporation

International Sales Department 9-11 Nihonbashi Hisamatsu-cho, Chuo-ku, Tokyo 103-0005
Tel: +81-3-3639-6121 Fax: +81-3-3639-6130