

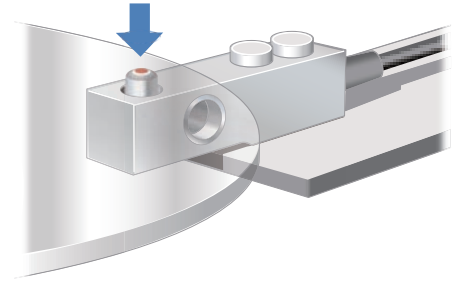
HLCB1 BEAM TYPE LOAD CELL



IP68

- Hermetically sealed

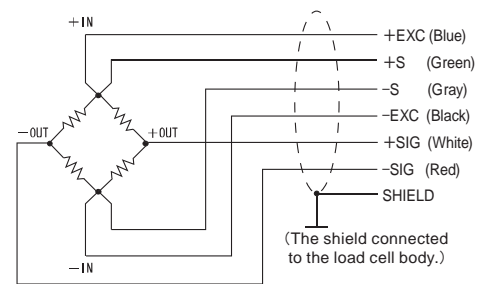
- Application example



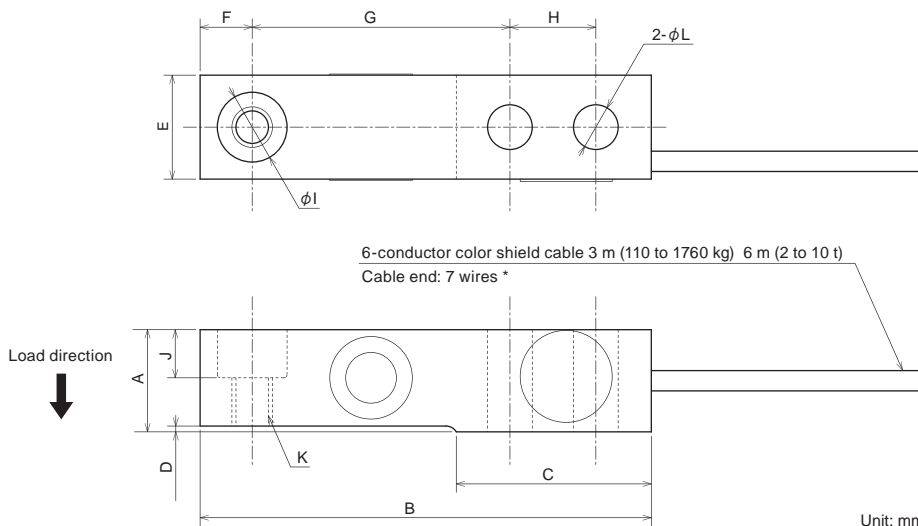
Specifications

Model	HLCB1-110KG	HLCB1-220KG HLCB1-550KG HLCB1-1100KG HLCB1-1760KG	HLCB1-2.2T	HLCB1-4.4T	HLCB1-10T
Rated capacity	110 kg	220 kg, 550 kg 1100 kg, 1760 kg	2.2 t	4.4 t	10 t
Rated output	1.94 mV/V±0.5%		1.94 mV/V±0.1%		2.00 mV/V±0.5%
Safe overload	150% R.C.				
Max. safe side overload	100% R.C.				
Non-linearity	0.05% R.O.	0.04% R.O.	0.0170% R.O.		0.05% R.O.
Hysteresis	0.05% R.O.	0.04% R.O.	0.0166% R.O.		0.05% R.O.
Creep	0.05% R.O./30 min	0.04% R.O./30 min	0.0166% R.O./30min		0.05% R.O./30min
Compensated temp. range	-10 to +40°C				
Temp. effect on zero	0.04% R.O./10°C	0.04% R.O./10°C	0.0140% R.O./10°C		0.04% R.O./10°C
Temp. effect on span	0.042% R.O./10°C	0.04% R.O./10°C	0.0140% R.O./10°C		0.042% R.O./10°C
Input resistance	350 to 480	350 or more	350 to 480		
Output resistance	350±2	350±0.12	350±2		
Max. excitation voltage	15 V (AC, DC)				
Insulation resistance	5000 M or more				
Cable	6-conductor shield cable 3 m (110 to 1760 kg) 6 m (2.2 to 10 t)				
Load cell material	Cable end: 7 wires Stainless steel				

- Wiring diagram



External dimension



Unit: mm

Model	Weight	Deflection at rated	A	B	C	D	E	F	G	H	I	J	K	L
HLCB1-110KG	0.9 kg	0.5 mm	30.2	133.4	57.7	1.7	30.7	15.4	76.2	25.4	20.6	14.2	M12	13
HLCB1-220KG	0.9 kg	0.5 mm	30.2	133.4	57.7	1.7	30.7	15.4	76.2	25.4	20.6	14.2	M12	13
HLCB1-550KG	0.9 kg	0.5 mm	30.2	133.4	57.7	1.7	30.7	15.4	76.2	25.4	20.6	14.2	M12	13
HLCB1-1100KG	0.9 kg	0.5 mm	30.2	133.4	57.7	1.7	30.7	15.4	76.2	25.4	20.6	14.2	M12	13
HLCB1-1760KG	0.9 kg	1.4 mm	30.2	133.4	51.7	1.7	30.7	15.4	76.2	25.4	20.6	14.2	M12	13
HLCB1-2.2T	1.6 kg	0.5 mm	36.5	171.5	76.2	2.5	36.8	19.1	95.3	38.1	30.2	17.0	M20	20.5
HLCB1-4.4T	2.2 kg	0.5 mm	42.9	171.5	76.2	2.5	42.9	19.1	95.3	38.1	30.2	20.1	M20	20.5
HLCB1-10T	6.2 kg	0.5 mm	72.9	245.1	119.9	11.2	60	30.2	134.9	50±0.05	51±0.2	20	φ32	27