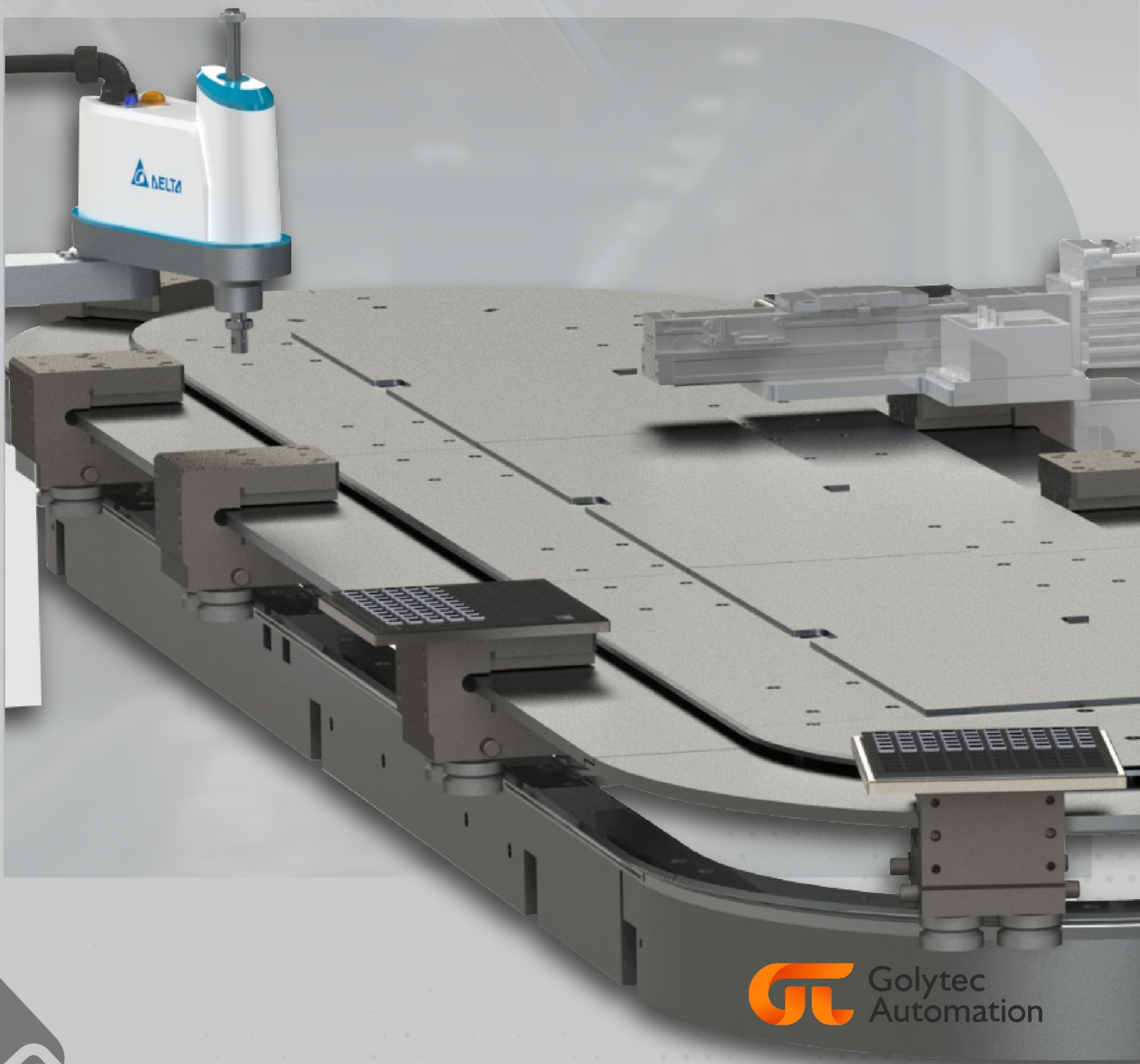


PRODUCT CATALOGUE



IMS providing the motion solution, motion devices & motion control technology in factory automation.



 Golytec
Automation

COMPANY **PROFILE**

iMS Motionet Sdn Bhd is one of the leading company in motion and control technology industrial. Our main office is located in Pulau Pinang, Malaysia. We are specialist to providing innovative control and motion products such a s motion controller, motion devices, industrial PC and electrical control components in the filed of machine automation and factory automation.

We are not only supplying of motion and control products but also develop and provide automotion solution to our clients. iMS Motionet Sdn Bhd is a distributor and agent of the worldwide leading brands from Japan, Korea, Taiwan, German, USA and etc. Our distributed products brand are Kollmorgen, Golytec, Apex Dynamics, Adlink, Sanyo Denki, Unipulse, Gmt, Delta Electronics, Schneider Electric, IEC Motion, Proface & etc and our core supplying products are compact AC Motor, DC Motor, BLDC Motor, Stepper Motor and Driver, Servo Motor and Amplifier, Electric Rotary Actuator, Electric Linear Actuator, Planetary Gearbox, Direct Drive and Turn Table, Industrial PC (IPC), Programmable Logic Controller (PLC), Frequency Inverter, Touch Screen HMI, Motion and I/O Module and etc.

Partnering with these manufacturers, we are manages to maintain its reputation in providing quality, reliable and innovative products and services.

OUR **VISION**

We pledge to be the regional industrial automation system distributor of choice that continues to provide reliable, high quality innovative motion technology products and services with a competitive cost.

OUR **MISSION**

We strive to continuously improve in perfecting the solutions we provide to our valued customers in the field of factory automation and works towards achieving optimum customer satisfaction.



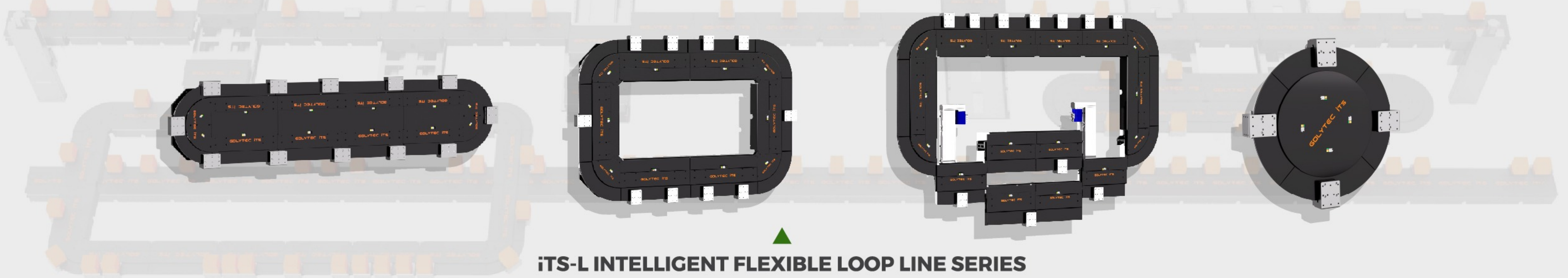
果栗智造

Golytec Automation

GOLYTEC is a global leading provider of intelligent flexible loop with linear drive and magnetic levitation technology solutions. Focus on the automation of intelligent manufacturing, technological innovation, pursuit of excellence, openness to collaboration and efficient services. Golytec developed precise, high-velocity, intelligence and easy-to-use solutions for intelligence manufacturing and provide competitive intelligence flexible line solutions, products and services for equipment manufacturers, End users and partners.

Golytec iTS Intelligent Transport Systems

High-precision positioning, absolute position control and no cogging at low speed. Curved and linear stator modules can be combined into unique tracks to suit your needs.



ITS-L INTELLIGENT FLEXIBLE LOOP LINE SERIES

SPARE PARTS



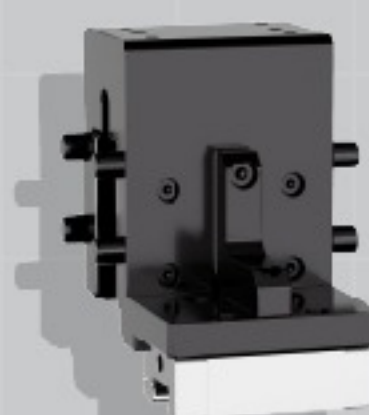
ITS-L CURVED STATOR



ITS-LINEAR STATOR



ITS-LINEAR MOVER



ITS LINEAR TRANSFER MOVER

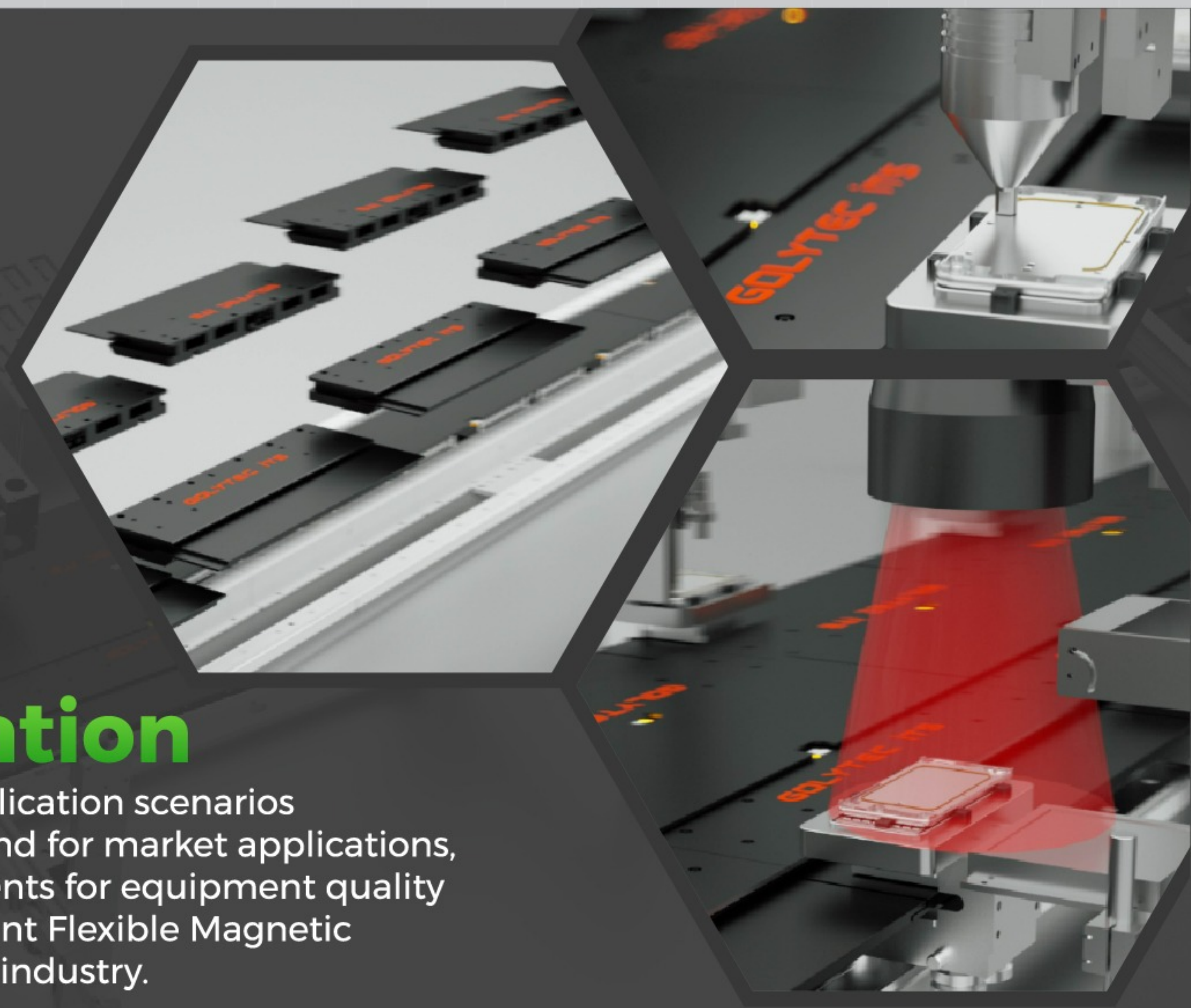


ITS POWER SUPPLY

iTS Intelligent Flexible Maglev Drive Conveyor System for 3C Consumer Electronics Industry

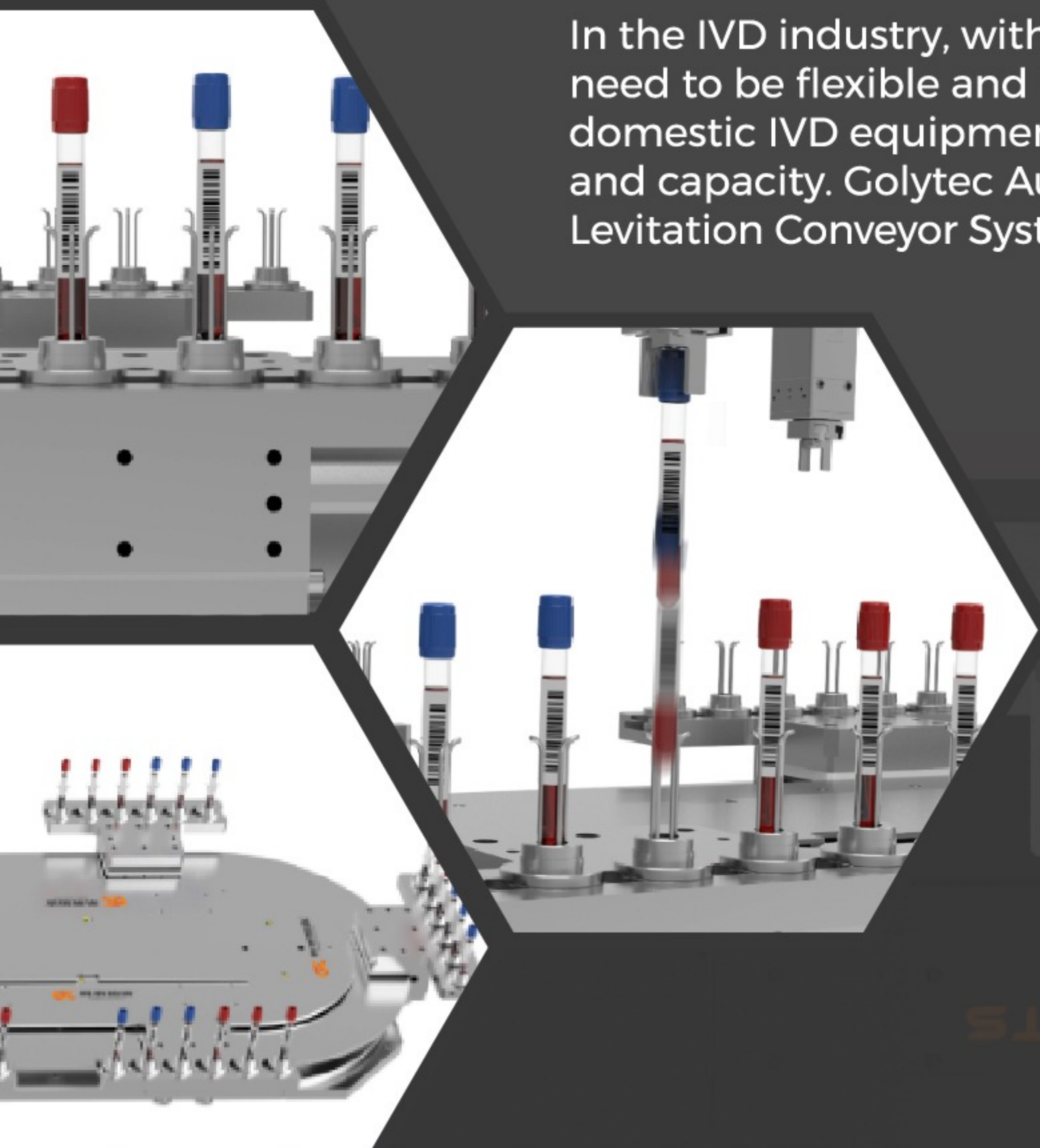
iTS 3C Application

The production of consumer electronic products puts forward more stringent requirements for quality, production efficiency, diversity and dust-free grade. Golytec Automation has launched the high-speed "iTS Intelligent Flexible Magnetic Levitation Conveyor System", which can adapt to various production processes, simplify design, improve production efficiency and quality, and help the development of the industry.



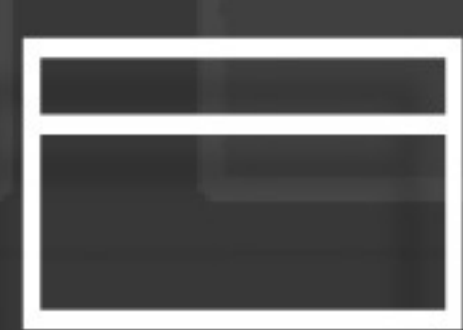
iTS Medical Equipment Application

In the IVD industry, with diverse test items and large number of tests, its application scenarios need to be flexible and have scalability in later period. With increasing demand for market applications, domestic IVD equipment manufacturers continue to increase the requirements for equipment quality and capacity. Golytec Automation has launched the high speed "iTS Intelligent Flexible Magnetic Levitation Conveyor System for IVD Test" to facilitate the development of the industry.



System Advantages

- Stability | continuous operation, no jitter
- Environmental protection | safety voltage, energy saving and emission reduction, no secondary pollution
- Efficient | operation, optimal path planning and selection



±0.03mm
Repeatability



2kg-40kg
Payload



x5g
Max Acceleration



2.5m/s
Max Velocity



DELTA is a global provider of power and thermal management solutions. To provide innovative, clean and energy-efficient solutions for a better tomorrow. As an energy-saving solutions provider with core competencies in power electronics and automation, Delta's business categories include Power Electronics, Automation and Infrastructure. Delta offers some of the most energy efficient power products in the industry, including switching power supplies with efficiency over 90% telecom power with up to 98% and PV inverters with up to 99.2% efficiency.



SCARA ROBOT

Delta Smart Screwdriving System

Smart Screwdriving Controller

- High-performance controller supports 2 screwdrivers*] (specific feature for dual-tool controller ASD-SD3041B-2).
- 10.1-inch display for easier examination and operation.
- Large memory capacity stores up to 200,000 results and curvegraphs.
- Offers various tightening strategies for different scenarios.



Smart Screwdriver

- Torque sensor signals are directly fed to the full closed loop control, high-precision of +3%
- Low cogging torque of the DC servo motor.
- Light indicator shows tightening status.
- Front LED work light eliminates shading during operation.
- Easy mounting on robots or machines with a flange.



Electric Servo Press

- ▶ High repeatability and multiple strokes
- ▶ Seamless hardware and software integration for high efficiency
- ▶ Multiple machine connection and remote control
- ▶ Precise press and flexible control
- ▶ Multiple processes adaptable to changeovers
- ▶ Robust design



AC Servo Motors & Drives

Advanced Type for General Purpose Application



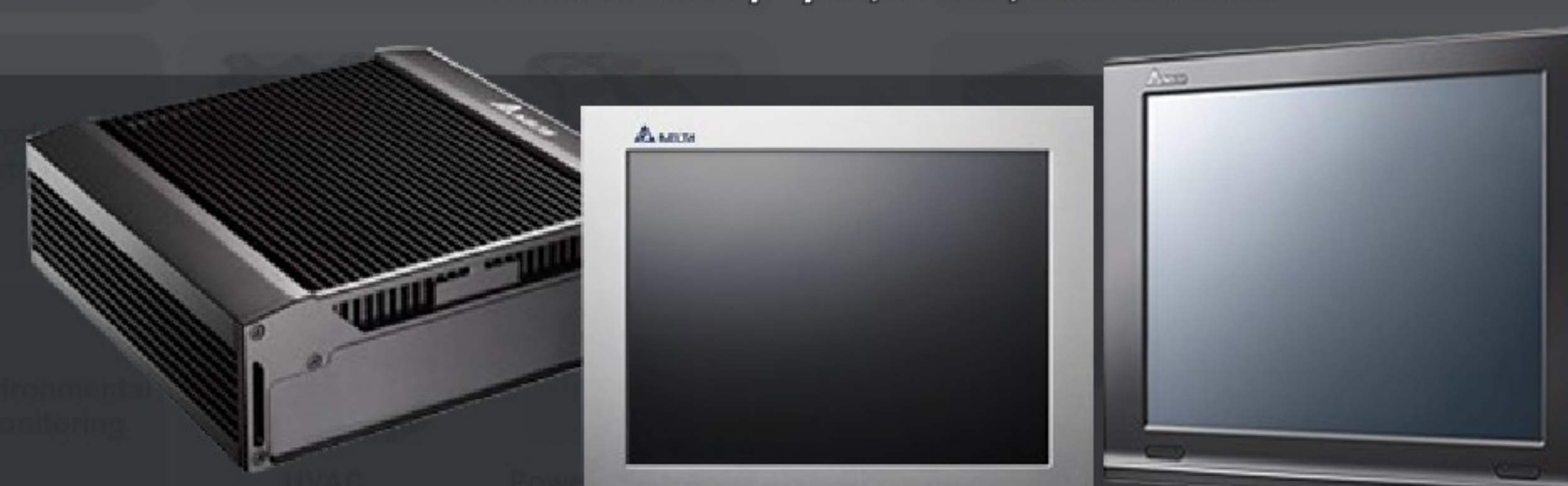
ASDA-A2R



ASDA-A2 Series

Applications: Equipment Monitoring, SCADA (DAView), etc.

Delta's Industrial PC offers high efficiency and reliability with its sealed and fanless design. It adopts a variety of specifications and supports operating systems such as Windows 7/8/10, Linux, and more.



Industrial PC

UNIPULSE

UNIPULSE manufacture sensors such as loadcell and torque meters using their high-accuracy strain gauges. Their weighing indicators are widely used for auto-weighing machines such as dosing machine, filling machines, packer scale, hopper scale, weigh bridges, belt weigher and so on. Rotating torque sensor is a newly developed hit-item. It is used to test rotational parts such as motors and engines. Above mentioned weighing indicators, force indicators, loadcell and torque meters make up the majority of their sales. In addition, they has CMS (Cart Management System) is a sorting system used for logistics, they technology is leveraged for a cart which has an accurate weight scale. The CMS enables speedy and accurate sorting by giving appropriate instructions to operators via wireless LAN. They also cover overseas market with sales office located in key countries, providing repair services and so on.

WEIGHING / TORQUE INDICATOR

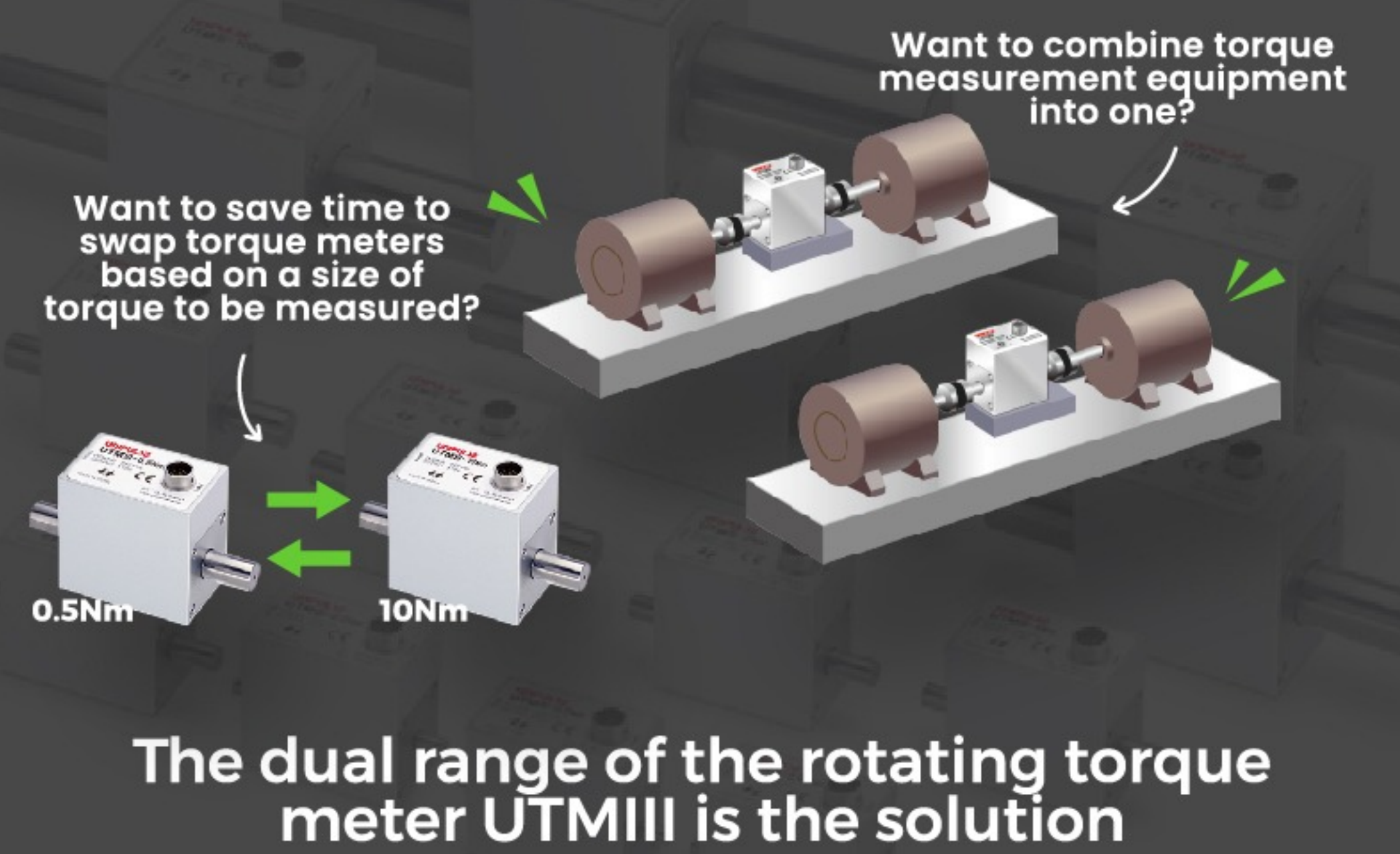


TORQUE METER



Rotating Torque Meter UTM III Dual Range

3 lineup available:
2Nm / 0.1Nm, 5Nm / 0.25 Nm, 10Nm / 0.5Nm



The dual range of the rotating torque meter UTM III is the solution

Load Cell

- ▶ Beam Type
- ▶ Compact Compression Type
- ▶ Compression Type
- ▶ High Accuracy Type
- ▶ Multi Axis Force Sensor
- ▶ Press Fitting Type
- ▶ Single Point Type
- ▶ Tension/Compression Type



Weighing Indicator

FC500-232

FC500-232 is a weighing indicator equipped as standard with RS-232C interface. It is ideal for a variety of weighing applications like hopper scales, bagging machines, and level meters. Measured data and results can be collected using RS-232C interface.



FC400-DAC

FC400-DAC is a compact weighing Indicator with D/A converter. It is suitable for many weighing applications such as hopper scale, packing scale, weight level meter, etc....



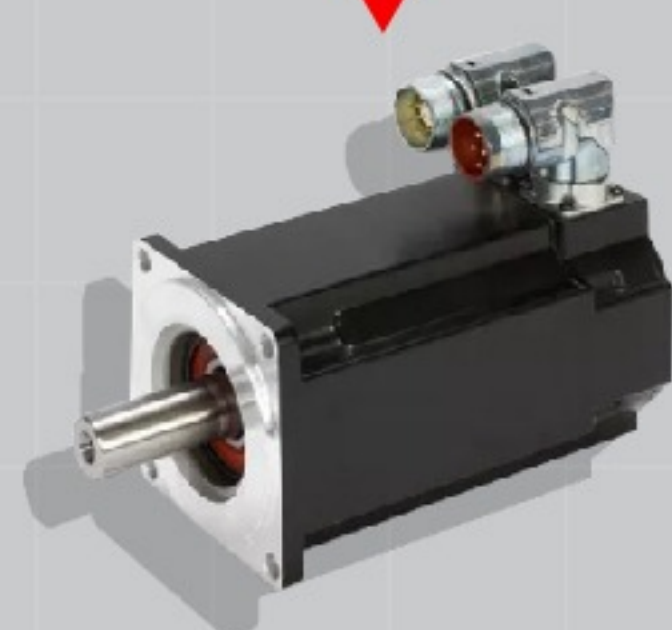
KOLLMORGEN

KOLLMORGEN believe in the power of motion and automation to create a better world. With Kollmorgen motion systems, AGV control solutions and automation platforms, engineers like you are solving tough problems and making a meaningful difference. Promoting industrial safety and advancing economic opportunity. Changing how solar energy is created. Improving medical diagnosis and treatment outcomes. Exploring new worlds, from deep oceans to deep space. And so much more.

BRUSH DC MOTOR



SERVO MOTOR



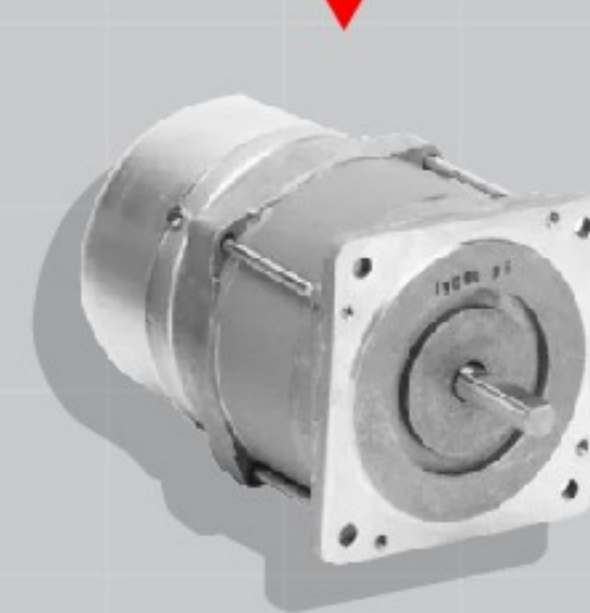
AGV SYSTEMS



FRAMELESS TORQUE MOTORS



AC SYNCHRONOUS MOTORS



HIGH PERFORMANCE SERVO DRIVE



LIGHTER
SMALLER
MORE PRODUCTIVE
PRECISE
EFFICIENT
RELIABLE

2G Motion System The Power to be More

The Kollmorgen 2G Motion System harnesses the full performance potential of our leading AKM2G servo motors and perfectly matched AKD2G drives designed to deliver unrivaled power density and control. The result is significantly enhanced torque, responsiveness and SafeMotion capabilities in a compact footprint that enables easy installation and total flexibility.

For existing machines, the Kollmorgen 2G Motion System is the simple, cost-effective upgrade path for maximum power and performance. For new designs, it's a game-changer. Unprecedented performance simplifies design and deployment of lighter, more compact, more efficient and effective machines.

AKM2G Servo Motor

Represents The Latest Evolution Of The Industry-Leading AKM Motor Family

With significant torque increases in the same motor size OEMs can achieve substantial performance improvement without changing the motor mounting or using more machine space.



Deliver Higher Machine Performance



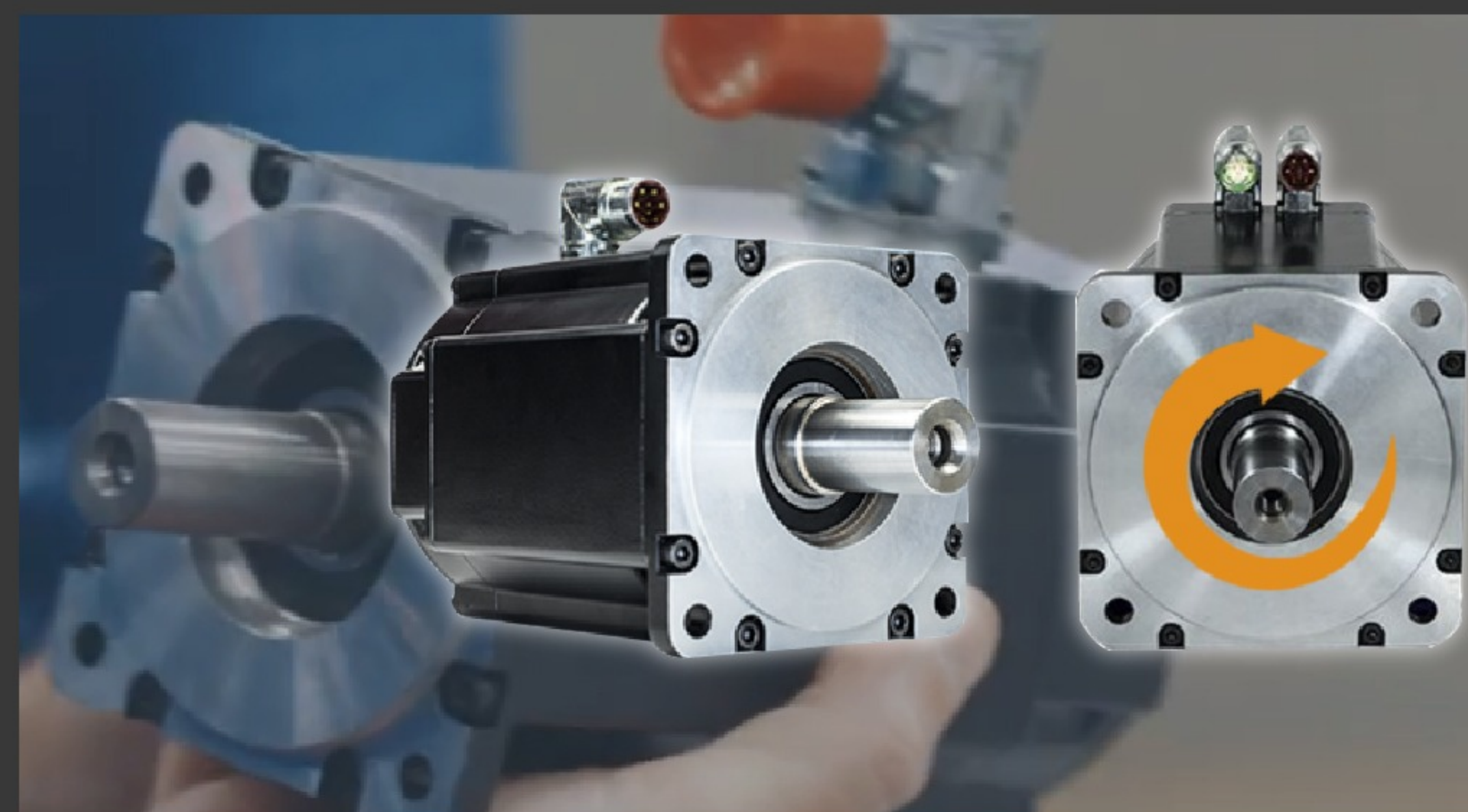
Achieve Your Desired Performance in Less Space



Increase Feedback Performance



Reduce Cabling

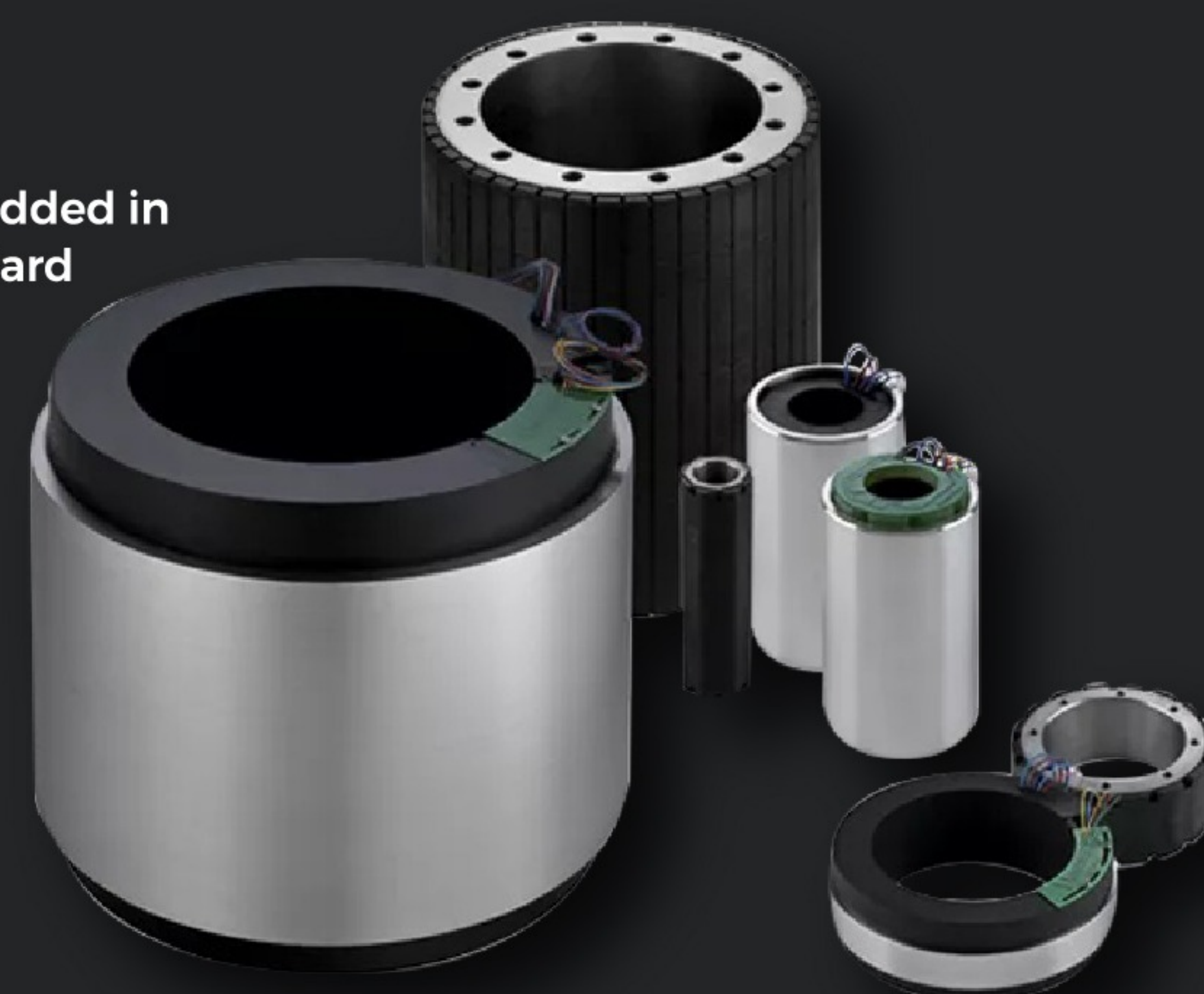


Frameless Torque Motors

KBM™ Series Frameless Motors

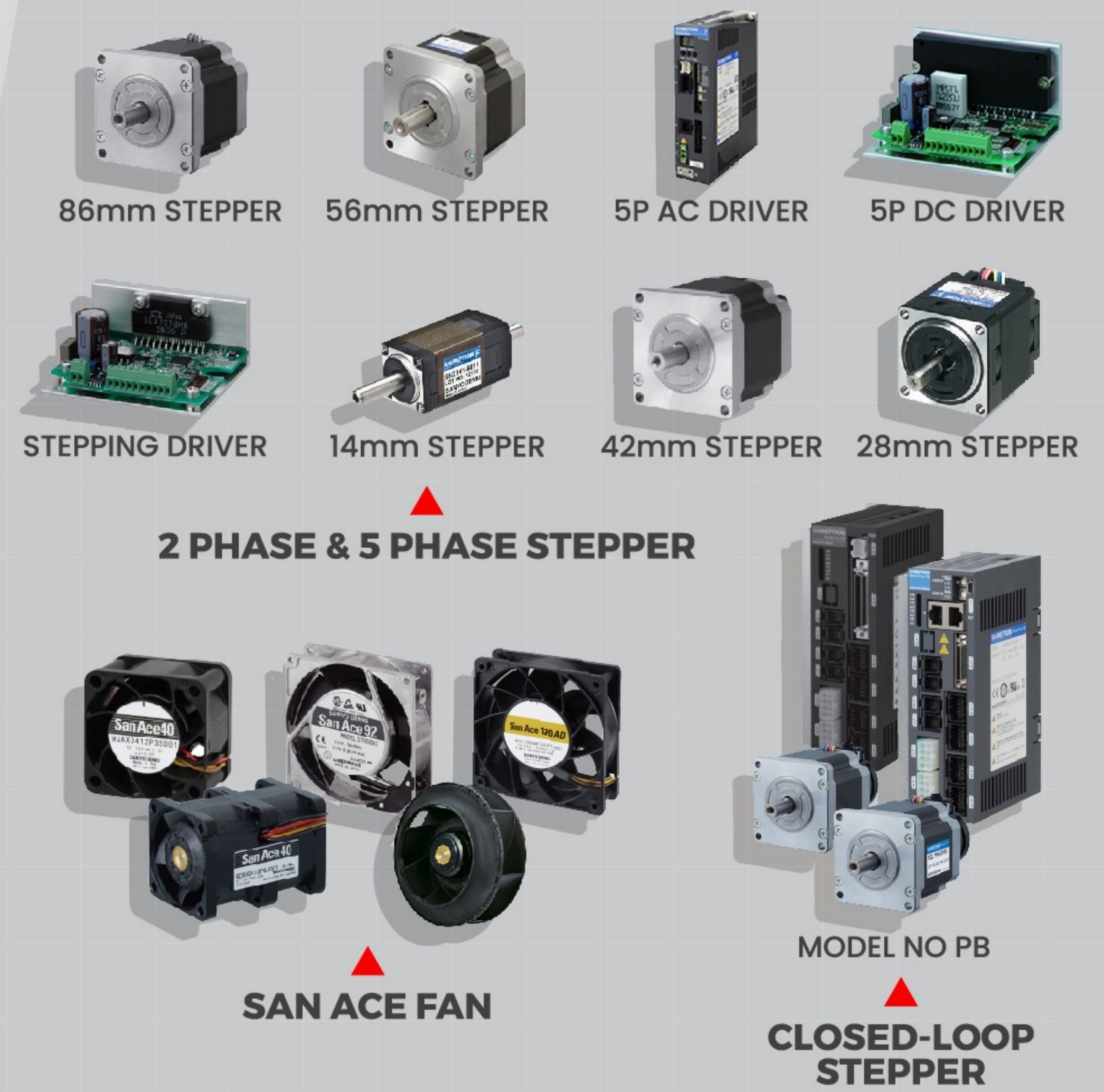
The KBM™ Series provides low- and high-voltage motors (120–480 Vac) designed to be directly embedded in your machine using the machine's own bearings to support the rotor. With a huge selection of standard motors. Plus our ability to quickly and cost-effectively modify leads, windings, stack lengths and more. You can choose an exact-fit frameless motor that provides simple installation, long life and the highest performance in the most compact space.

- Direct load connection eliminates maintenance of gearboxes, belts or pulleys
- Zero backlash and compliance provides more responsive system performance
- Eliminates coupling devices, reducing overall machine size
- Embedded motor enables compact machine design, helps protect your intellectual property
- Huge selection of standard motors and co-engineered modifications for an exact fit, without the time, expense and risk of a fully customized motor
- Modify any standard product's characteristics – mechanical dimensions, electrical options and connections, thermal and winding optimization for acceleration or deceleration, torque, speed, power, smoothness, and more – to meet your specific needs.



SANYO DENKI

SANYO DENKI group companies, aim to help all people achieve happiness and work with people to make their dream come true. For society and the natural environment their will help preserve the global environment and contribute to the prosperity of mankind through their corporate activities. For customers and users they will create new values through technology, products and services. For suppliers and vendors they will strive for integrated technical development and harmonious mutual prosperity through parts purchase, production contracting and joint development. For investors and financial institutions they will increase investment worth and credit through sound management policy and good access to information. For competitors and the industry they will strive to build industrial and technical development through technical alliances and competition. For all of us employees they will help individuals to achieve self-fulfillment through their work and the company.



SPIRAL BEVEL RIGHT-ANGLE GEARBOXES



IN-LINE PLANETARY GEARBOXES



PRECISION RACK & PINION



APEX DYNAMICS

Apex Dynamics is a worldwide leader in manufacturing of planetary gearboxes. Based on more than 20 years of accumulated manufacturing and marketing experience, plus the highest level of technical production capabilities, Apex Dynamics designed and built a technically advanced, high speed, low backlash servo application planetary gearbox. They break through patented technology (over 6 patents) provides the customer with the optimum high precision helical reducer at a reasonable price and is offered with the only tip top toe 5 year warranty in the industry today, including seals and bearings. Their slogan is (Truthful, Responsible, Creative). They primary focus in daily operation is quality and pride themselves on their dedication to quality; their duty, is customer satisfaction. They're continuously improving processes, finding proper and effective methods to provide customers new solutions for difficult applications and also developing new products.

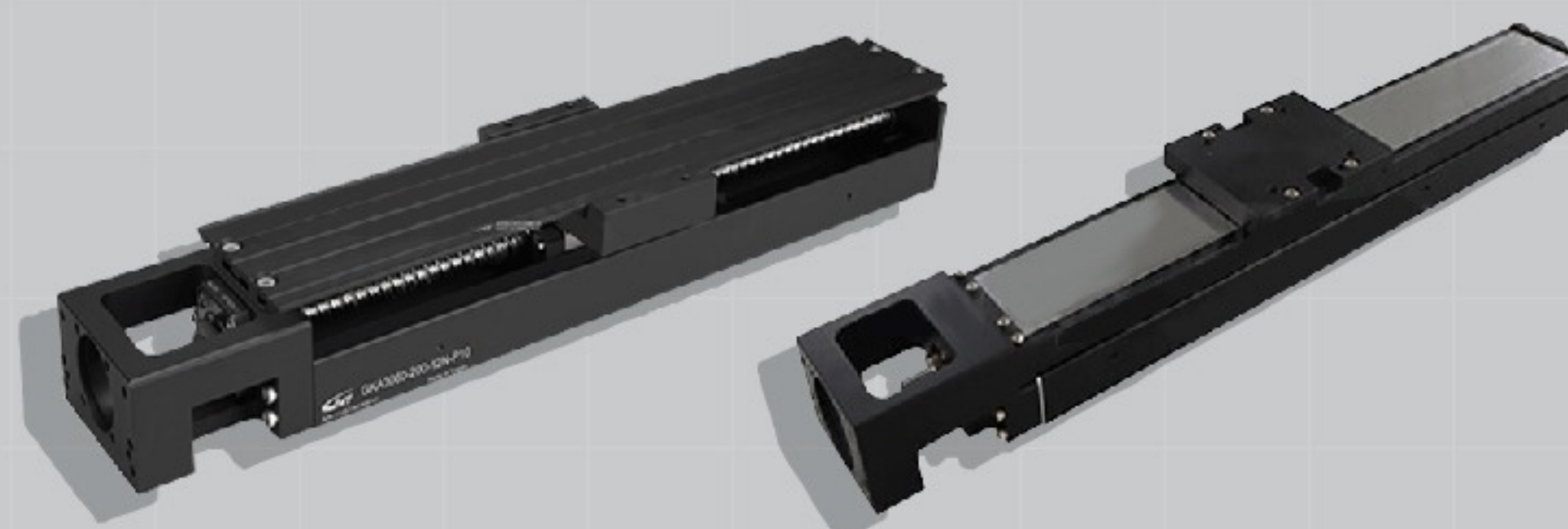
GMT

GMT is your partner to help you achieve the most suitable automation solution. GMT dedicated itself to develop innovated products, optimize manufacture procedure and improve machining technologies; those were implemented to management of offering technical profession to serve customers.

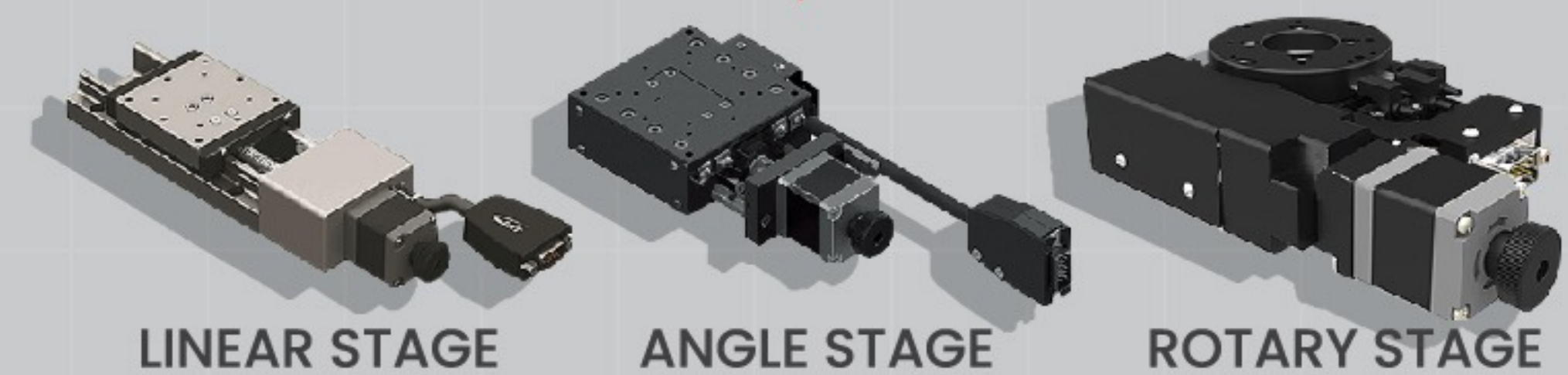
ELECTRIC GRIPPER



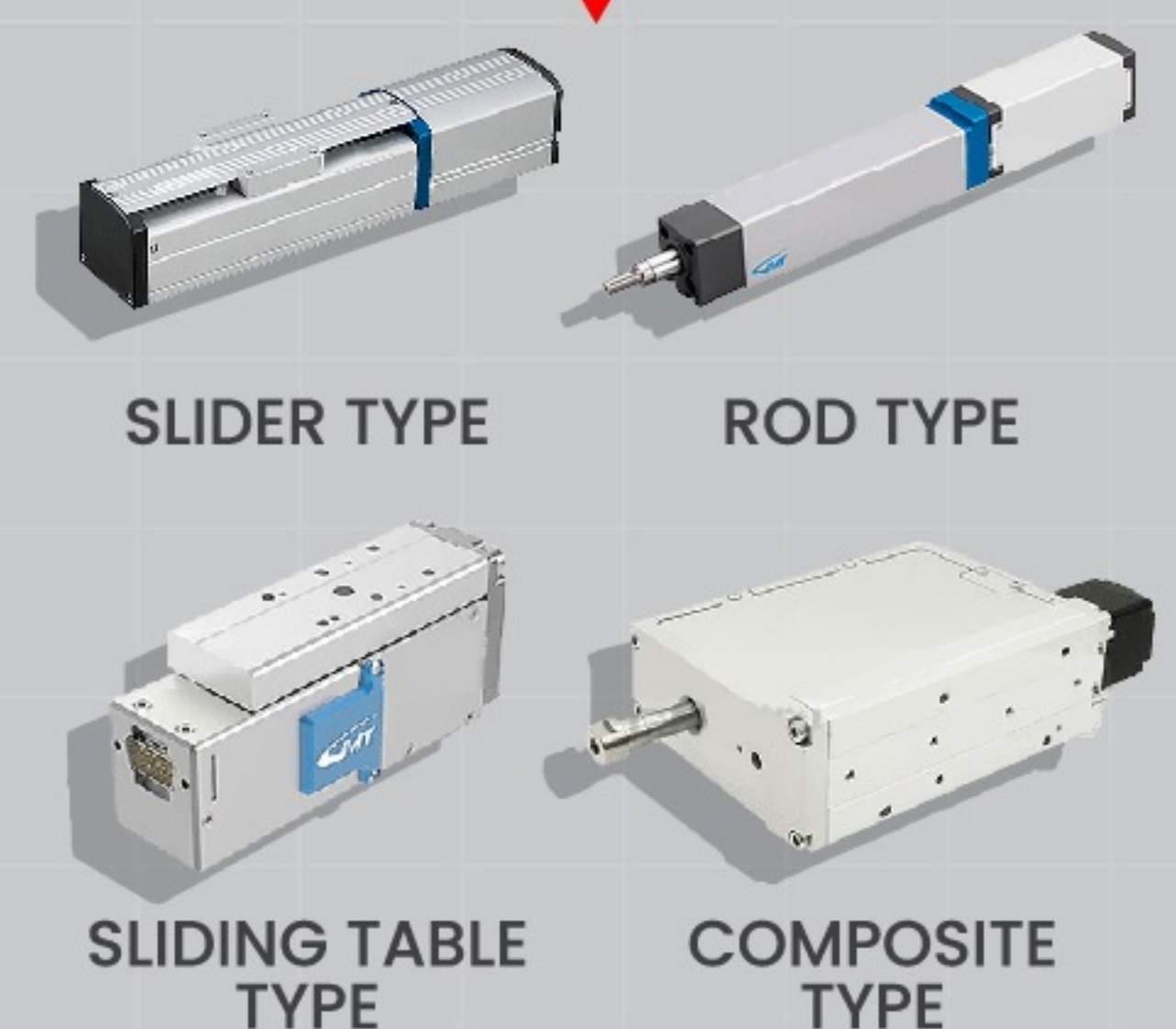
ACTUATORS



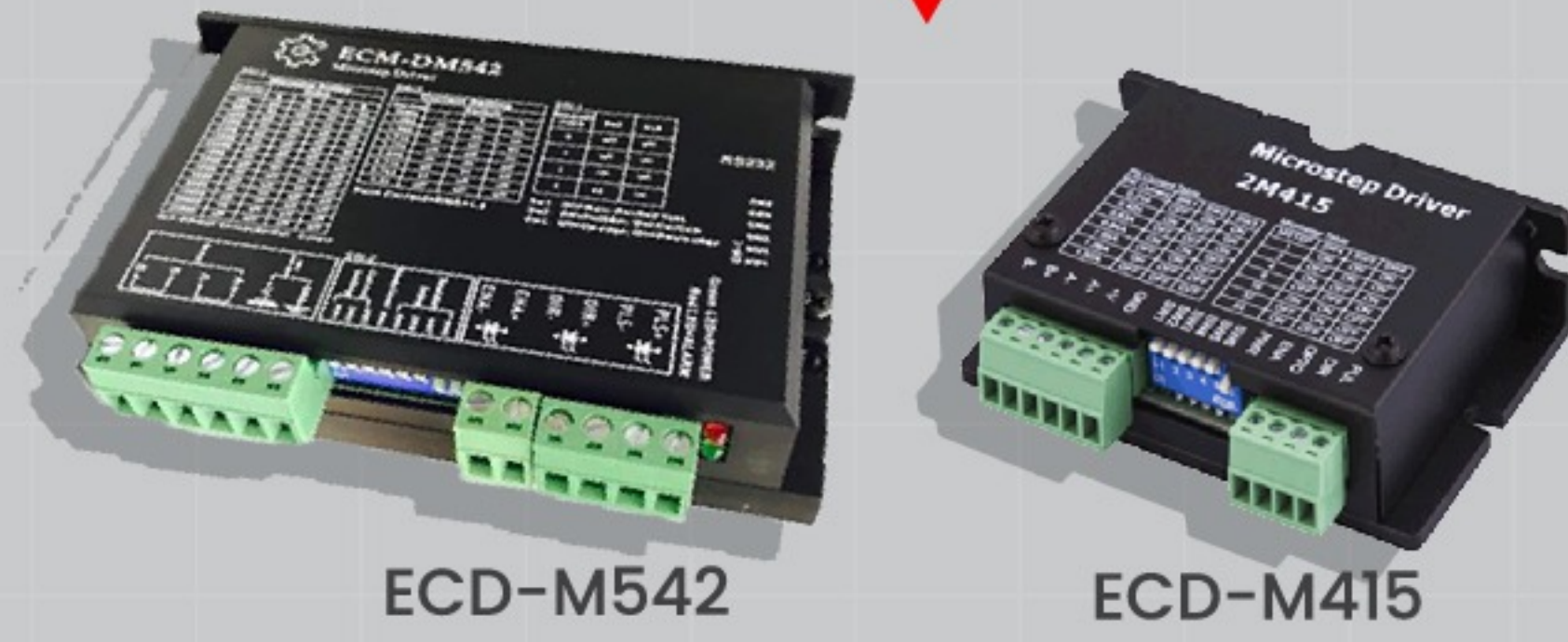
POSITIONING STAGE



ELECTRIC CYLINDER SERIES



2 PHASE STEPPING DRIVER



ECD-M542

ECD-M415

2 PHASE STEPPING DRIVER



ECM-57MM

ECM-42MM

ECM-86MM



IEC founded in the year 2014, main products stepper drivers & motors, close loop stepper drives & motors and integrated stepper motors, DC gearmotor and other complimentary mechanical products. IEC keeps on providing cost effective, high quality products to customers, make sure fast delivery, quality warranty, wonderful after-sale service for the clients.

GGM

GGM has consistently focused on the manufacturing of AC and DC small geared motors for 39 years. Based on the determination to manufacturer the world's best geared motors, CGM has grown steadily into a strong enterprise that has a small but important presence on the global stage and the company has been recognized as a Global Hidden Champion by the Small and Medium Business Administration for its success in suppling geared motors with low noise, high efficiency, high strength and price competitiveness both domestically and globally (50 countries all over the world) thanks to its continuous technical developments and sound investment. GGM will do their best to develop and supply various high-quality products that meet the needs of customers through their affiliated research institute's development of more various items, GGM accumulated experience in the production of small geared motors and using the newest high-tech equipment.

DC BLDC MOTOR



DC BLDC DRIVER



PLANETARY GEARED MOTOR

MEISTER

MEISTER on behalf of WOOJIN SERVO is as a fast but surely growing AC geared motor company moving towards a global manufacturer. Since the foundation in 1994, the effort on consistent researches and technical developments have never ceased which enabled WOOJIN SERVO to be more competent than any other companies in AC geared motor production. To meet customers' needs and requirements, manufacturers in competitive market not only ought to produce motors with excellent design and workmanship, but also have to understand exactly what the customers want. With this idea in mind, WOOJIN SERVO will continuously progress to be a top-ranked, profitable, and high-tech company focusing on high performance products for customer specific needs.

INDUCTION MOTOR



IH SERIES

SPEED CONTROL & BRAKE MOTOR



IHT & HK SERIES

SPEED CONTROL UNIT



HC SERIES

REVERSIBLE MOTOR

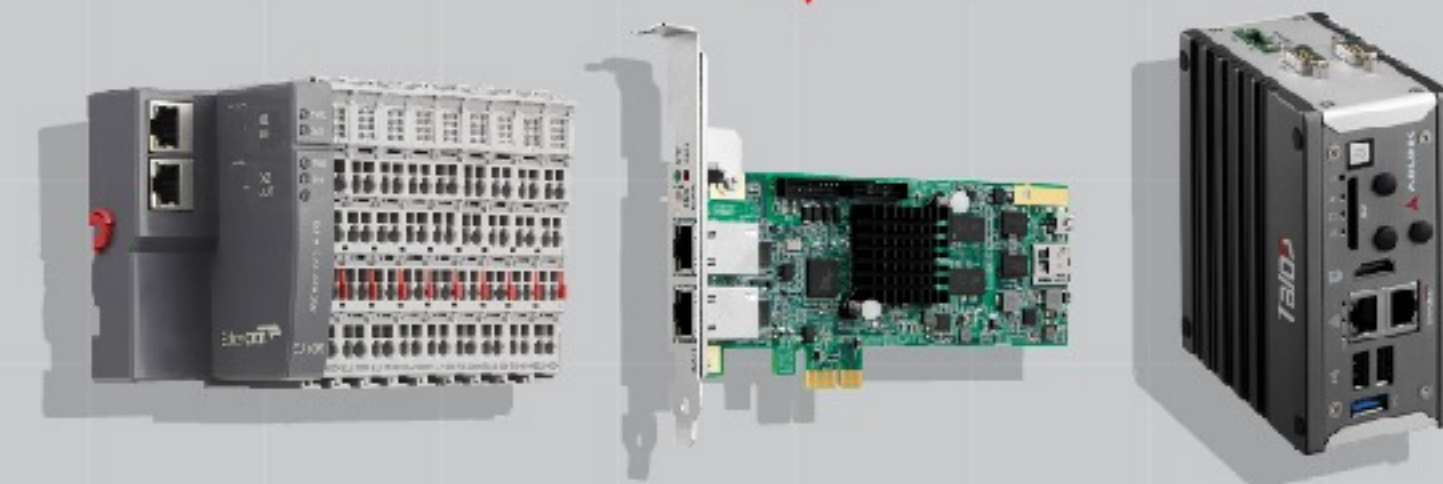


RH SERIES

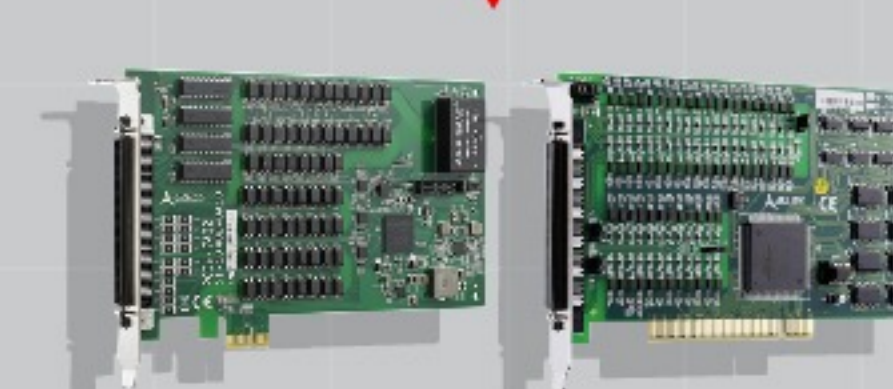


ADLINK is the evolution of embedded computing in the age of the IoT, i.e. the addition of system-level connectivity and services to embedded (industrial) computers to provide the required infrastructure for business-critical industrial IoT systems. Edge Computing also defines the opportunity at the edges of IT, OT and ICT technology eco-system and thus exploits the convergence of these eco-system brought about by the IIoT. Edge Computing products provide a computing continuum from the sensor-to-the-cloud (this is also a basis of Fog Computing of which Edge Computing is an important part) and thus address the shortcomings of cloud computing in an industrial context (e.g. latency, security, resilience, datacom costs, dependencies). As such, Edge Computing is regarded by many technical commentators as complementing and even replacing cloud computing for many business-critical IoT solutions. ADLINK's deep experience in embedded computing and connecting the unconnected makes us well-positioned to leverage one of the next huge developments in business and industrial computing.

HIGH PERFORMANCE EtherCAT SOLUTION



MOTION & I/O CARD



INDUSTRIAL IPCs



FANLESS IPCs



MAINKCO[®]

Industrial Computers

MAINKCO IPC is a subsidiary brand of TAICENN Technology, concentrate on new industrial cutting-edge segment market, so as to provide more valuable industrial computing solution products to customers. As a supplementary brand of TAICENN Technology, Mainkco IPC brand will fokus on Ai edge computing, vision computing, industrial IoT computing and mobility computing solutions. Mainkco offer comprehensive system integration, customer-centric design services, high quality solution products, flexible and quick support.

VISION COMPUTING BOX PC



INDUSTRIAL MONITOR



INDUSTRIAL BOX PC FOR ROBOT APPLICATION



EXPANDABLE BOX PC FOR ROBOT APPLICATION



AI EDGE COMPUTING BOX PC



ABOX-E7DL



E7DS



E7DL



E7L



E7L-EM



E7QS

INDUSTRIAL BOX IPC



ABOX-1000



ABOX-7010



ABOX-E900



ABOX-V700



ABOX-3000



ABOX-E500



ABOX-E800

GENERAL TOUCH

OPEN FRAME TOUCH MONITORS



CLOSED FRAME TOUCH MONITORS



GENERALTOUCH is the global leader in touch technology, develops, manufactures and markets a complete line of touch screen and touch monitor products. General-Touch offers touchscreen technologies and LCD touch monitors and carefully designs each product for the demanding requirements of diverse applications, such as industrial, medical, POS, kiosks, retail, hospitality, transportation, office automation, and gaming.

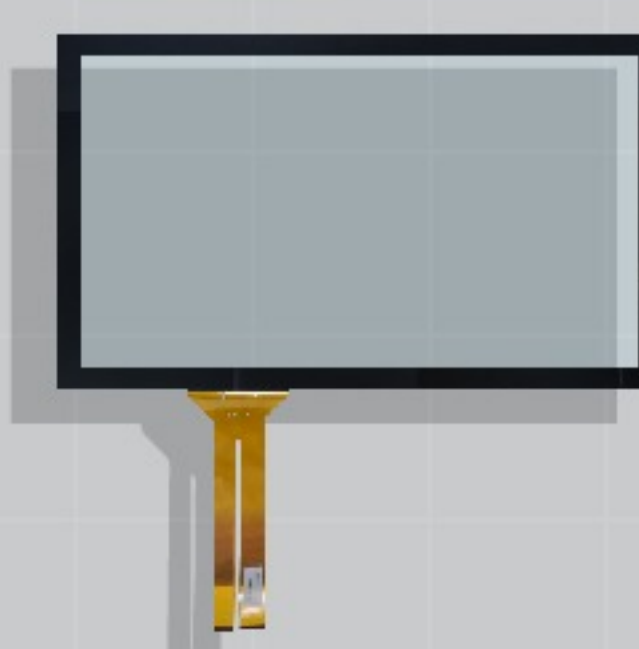
REAR MOUNT TOUCH MONITORS



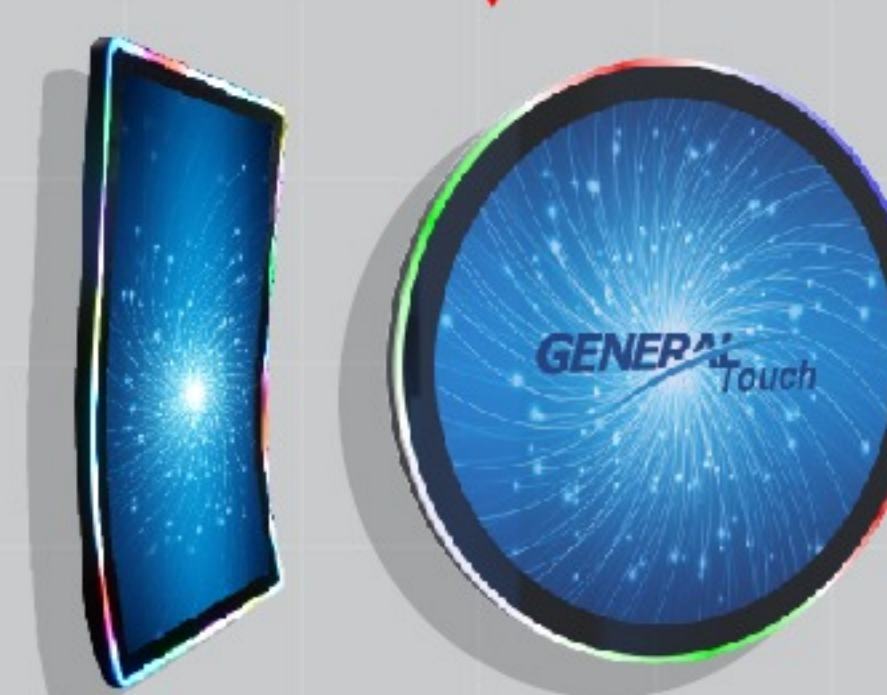
TOUCHSCREEN COMPUTERS



TOUCHSCREEN COMPONENTS



GAMING MONITORS



SCHNEIDER

Schneider Electric

Schneider Electric is leading the Digital Transformation of Energy Management and Automation in homes, building, data centers, infrastructure and industries. With global presence in over 100 countries, Schneider is the undisputable leader in Power management - medium voltage, low voltage and secure power, and in automation system. They provide integrated efficiency solutions, combining energy, automation and software. In the global ecosystem, Schneider collaborate with the largest partner, integrator and developer community in their open platform to deliver real-time control and operational efficiency. Schneider believe that great people and partner make they a great company and their commitment to innovation, diversity and sustainability ensures that life is on everywhere, for everyone and at every moment.



▲
INVERTER DRIVE



▲
SERVO MOTOR



▲
LV POWER PRODUCT



▲
LOGIC CONTROLLER

PRO-FACE™

by Schneider Electric

▼
ADVANCE HMI



SP5000 SERIES (MODULAR)



SP5000X SERIES (OUTDOOR)



GP4000 SERIES (STANDARD)

▼
INDUSTRIAL PC



PS6000 SERIES



PS5000 SERIES

PRO-FACE was coined from a combination of a professional and interface. They provide a highly user-friendly interface for environment, where operational requirements are stringent. They develop Pro-face brand of graphic operator interfaces in order to become the "face" of a field noted for its devoted professionals.

KUKA

KUKA is an internationally active company with sales of around 3.5 billion euro. Every day, roughly 14,200 KUKA employees at our headquarters in Augsburg and around the world work to ensure that we remain one of the world's leading suppliers of intelligent automation solutions. Our international customers come from, among other sectors, the automotive industry and general industry. KUKA offers you everything from a single source: from the individual components to fully automated systems.

INDUSTRIAL ROBOT



KR CYBERTECH
ARC NANO



KR CYBERTECH ARC



KR 360 FORTEC



KR QUANTEC PRO



KR QUANTEC PA



KR 3 AGILUS

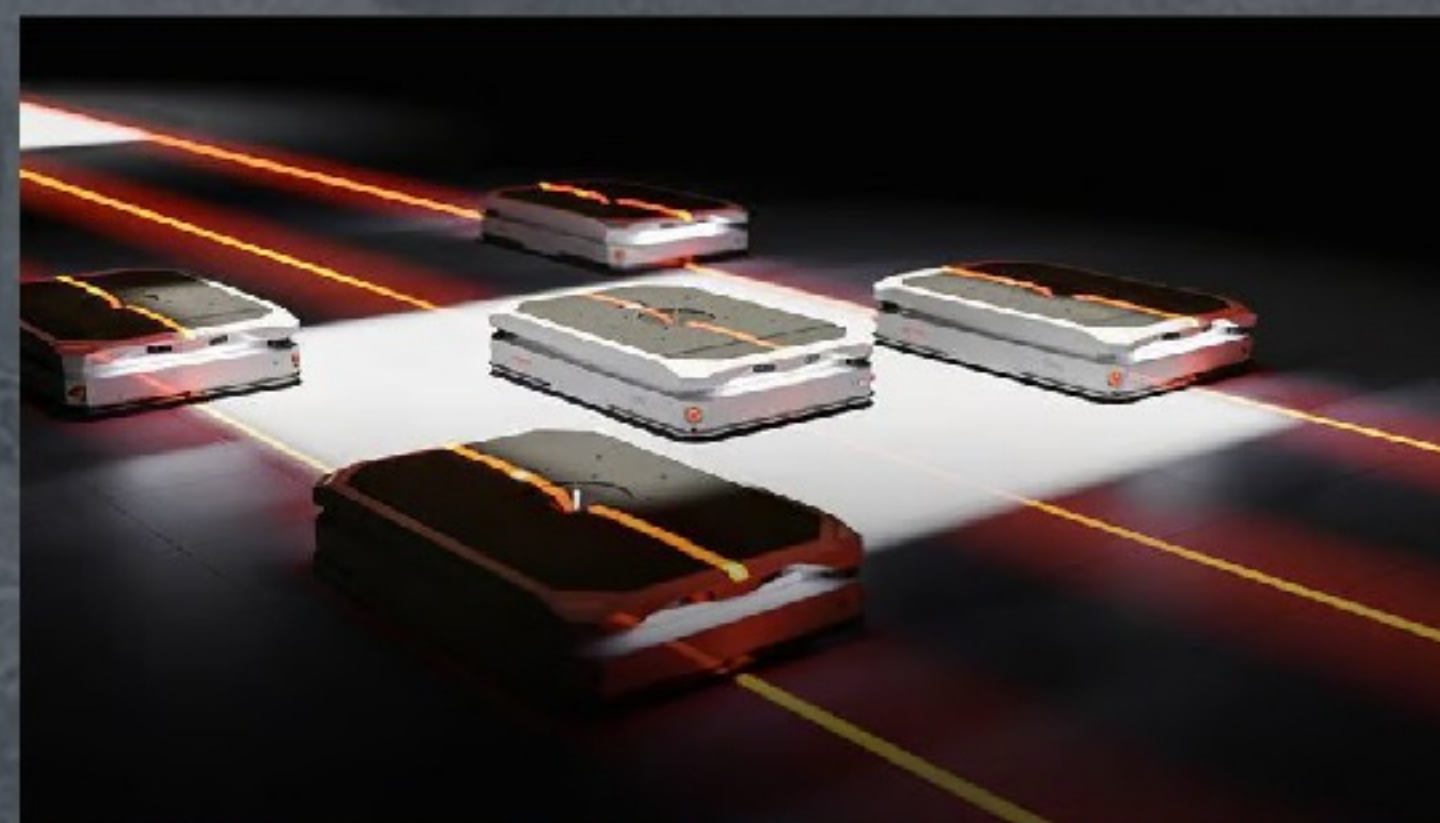


Autonomous Mobile Robotics (AMR)

The future of robotics is mobile and autonomous

Thanks to **advanced sensor technology**, **no-code programming** as well as **state-of-the-art battery technology** and **higher energy density**, autonomous mobile robotics is able to navigate autonomously, detect obstacles safely, evade these and create alternative routes. To ensure the continuous stable operation of our mobile robots, all KUKA vehicles are equipped with state-of-the-art Li-ion batteries, which are available around the clock in inductive charging mode. **The result: 24/7 operation and 99% availability.**

This unrestricted mobility opens up entirely new areas of application for robotics. It is used in a wide range of industries, including warehousing, manufacturing, healthcare and retail.

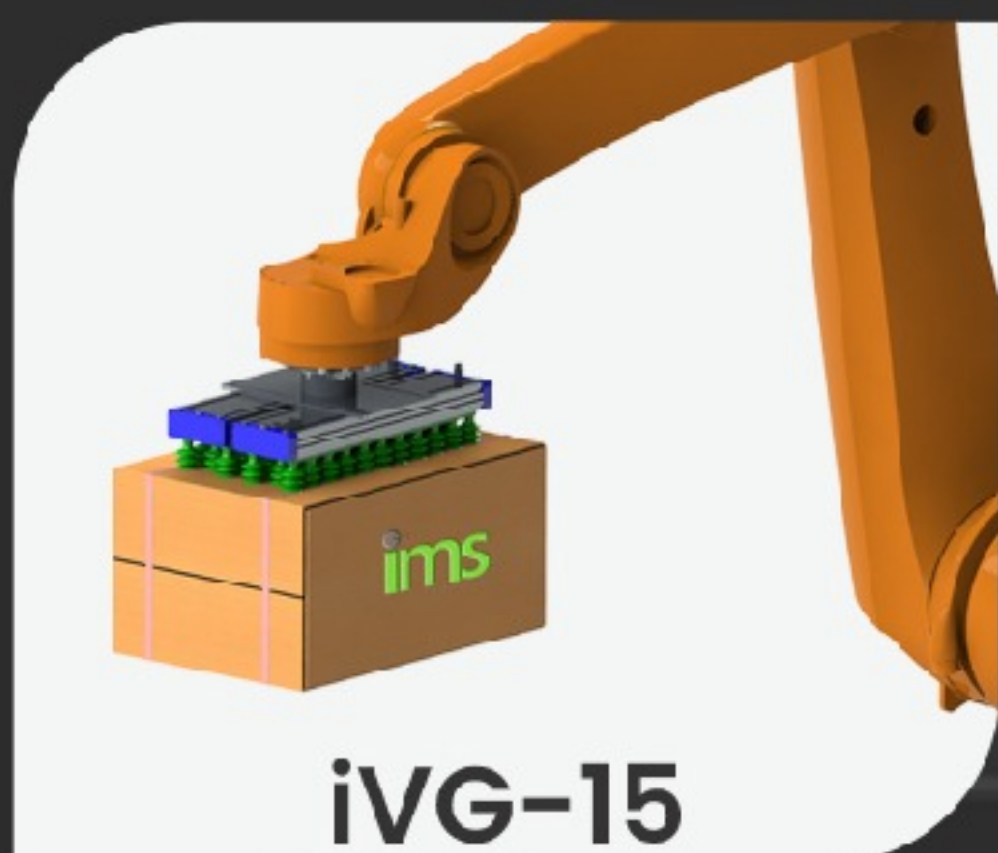


KUKA Mobile Platforms



KUKA Mobile Robots

Robot Accessories Grippers



iVG-15



iRG-15D



iRG-50

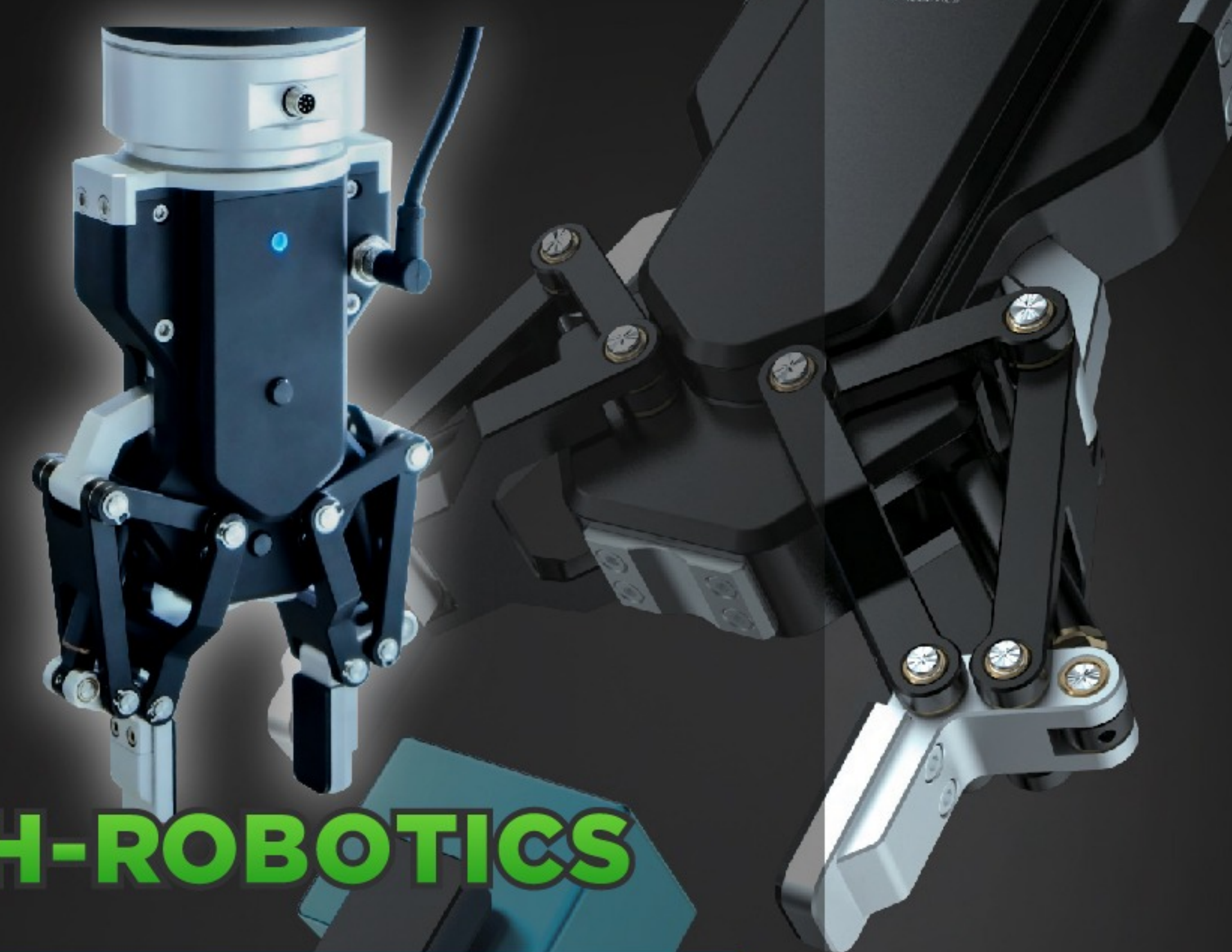


iCG-10



iCG-15

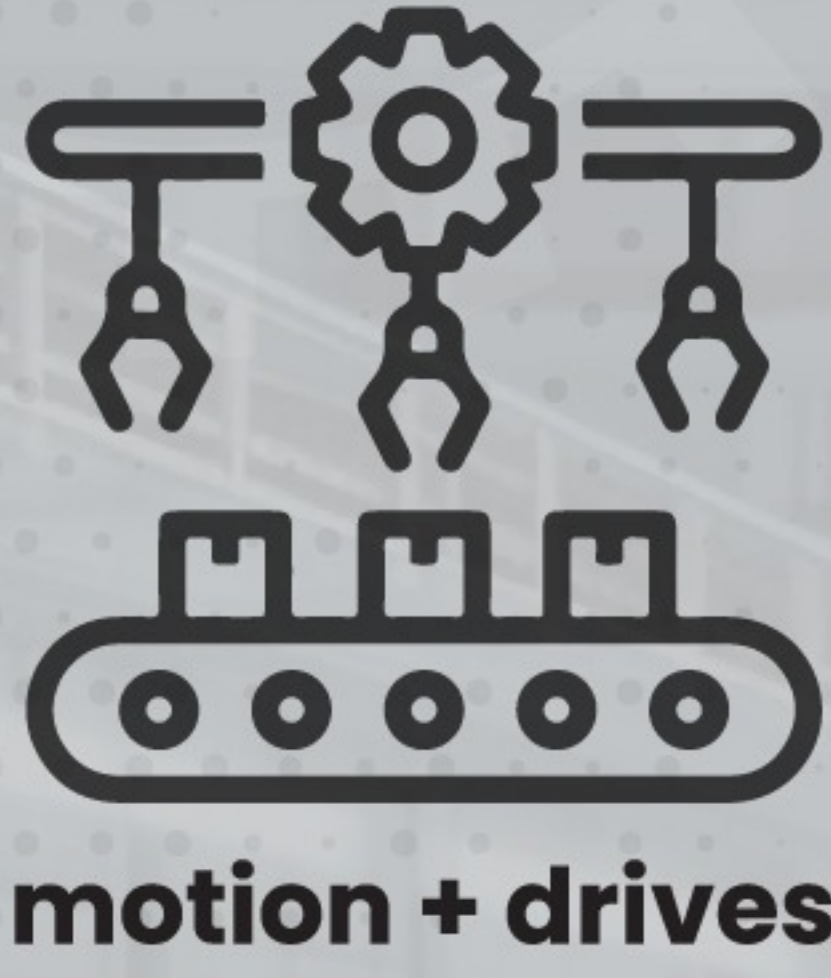
Servo-Electric Grippers



DH-ROBOTICS

DH-Robotics Technology Co., Ltd., dedicates in developing and providing electric gripping products/ solutions for robots and automation equipments.

The company specializes in the development and application of multiple gripping technologies, aiming to improve the grasping versatility and capability of robots/equipments used in different scenarios. DH-Robotics offers a series of compact, robust and easy-to-use electric grippers with innovative design, precise control and gripping feedbacks, to better facilitate industrial applications, increase the productivity and automate your grasping process in a better way.



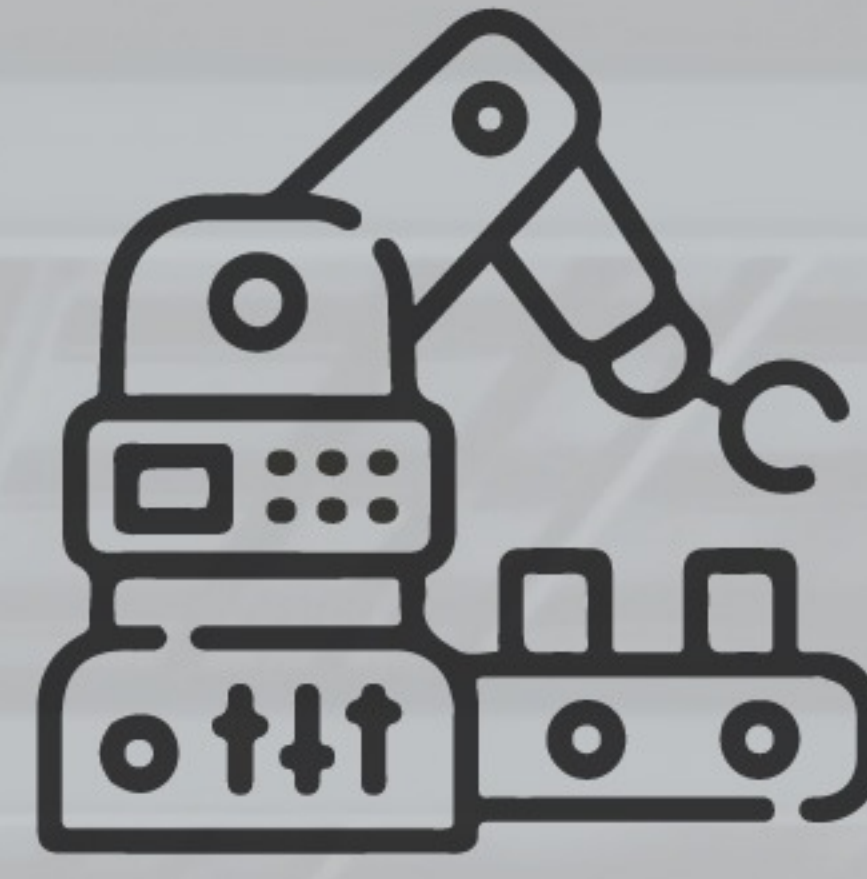
motion + drives



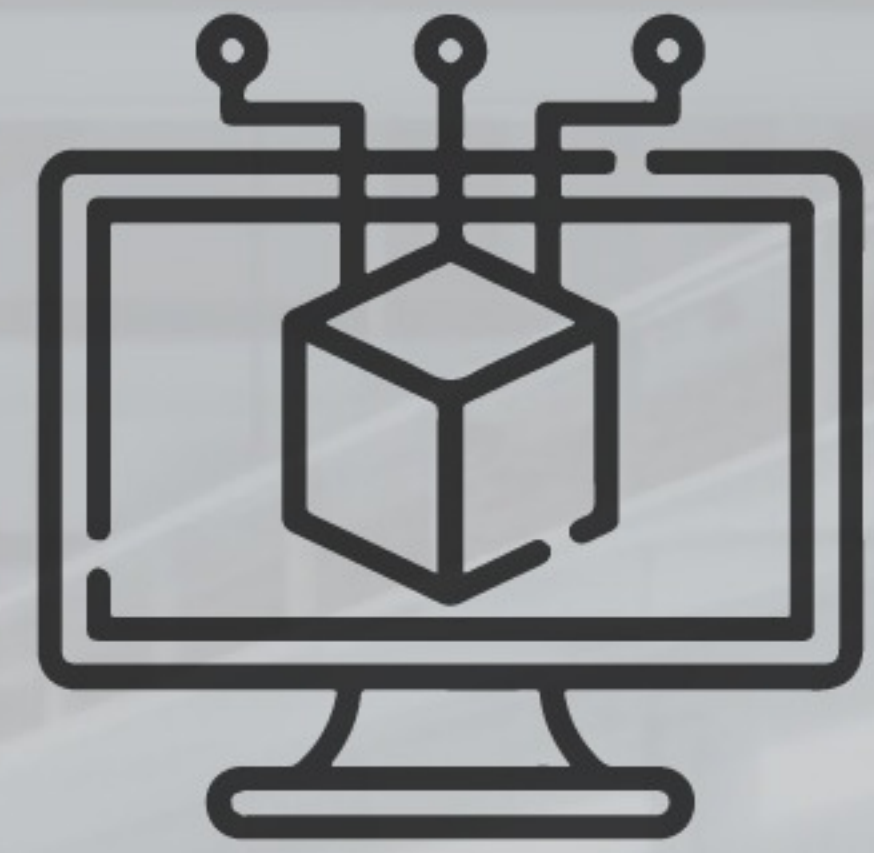
visual + control



mechanical



robotics



software



sensor & measuring instrument



internet of things

**INDUSTRY
4.0**

**WORLDWIDE
LEADING BRAND**

**MOTION & DRIVE
PRODUCT SUPPLIER**

**AUTOMATION
SOLUTION PARTNER**

**VISUAL & CONTROL
PRODUCT SUPPLIER**

CONTACTUS

 **No.59, Jalan Hijauan Hills 2, Hijauan Hills,
14200 Simpang Ampat, Penang**

 **enquiry@imsmotion.com**

 **012-461 5811 / 04-286 3380**

 **imsmotion.com**

 **ims_motionet**

 **IMSMotionet**

Scan here to add contact



IMS MOTIONET SDN BHD





PRODUCT **CATALOGUE**



WORLDWIDE **LEADING BRAND**



MOTION & DRIVE **PRODUCT SUPPLIER**

VISUAL & CONTROL

PRODUCT SUPPLIER



AUTOMATION **SOLUTION PARTNER**

