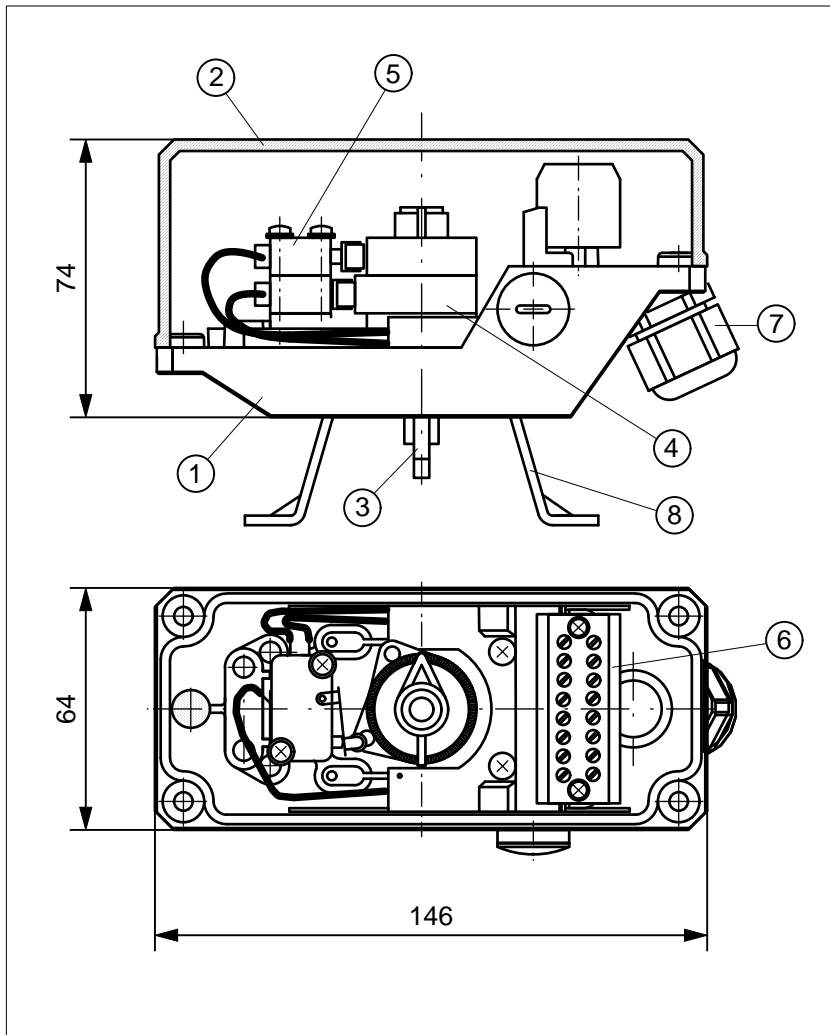




TCR3MVAZ

TCR-Module with two micro switches Crouzet 83.161.301
in TCR-Housing 146 x 64 x 74 mm



TECHNICAL DATA

Manufacturer: Crouzet
Type: 83.161.301
Micro switch
Switching capacity: 4 A, 250 V AC
Contacts: Silver-Nickel
Economic life-time: 2×10^7 switching cycles
Temperature: -20 ... +85°C
Housing: Vestamid, black
Cover: Macrolon, clear
Sealing: EPDM
Ingress protection: IP65
Switching precision: <math><1.5^\circ</math>
System connection: Cable gland M20x1,5

OBJECT LIST

Pos.	Pcs.	Description	Material
1	1	Housing base	Vestamid
2	1	Housing cover	Macrolon
3	1	TCR-Axis	POM
4	1	Switch cam system	POM
5	2	Micro switch	-
6	1	Terminal block, 8-pole	-
7	1	Cable gland M20x1,5	-
8	1	Bracket size 1-4	A2

WIRING DIAGRAM

