

# HS-150S Premium Accelerometer

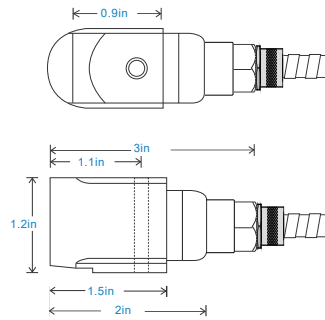
AC acceleration output via 3 Core Silicon Cable with Removable Stainless Steel Conduit

## Key Features

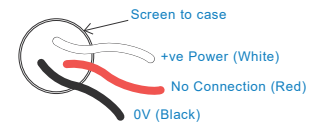
- Waterproof to IP68
- Side entry for easy access
- Removable Stainless Steel Conduit

## Industries

Building services, Pulp and Paper, Mining, Metals, Utilities, Automotive, Water, Pharmaceutical



Connection Details



## Technical Performance

Mounted Base Resonance	see 'How To Order' table (nominal)
Sensitivity	see: 'How To Order' table $\pm 10\%$ Nominal 80Hz at 72°F
Frequency Response	90cpm (1.5Hz) to 600kcpm (10kHz) $\pm 5\%$ 30cpm (0.5Hz) to 720kcpm (12kHz) $\pm 10\%$ 12cpm (0.2Hz) to 900kcpm (15kHz) $\pm 3\text{dB}$
Isolation	Base isolated
Range	see: 'How To Order' table
Transverse Sensitivity	Less than 5%

## Mechanical

Case Material	Stainless Steel
Sensing Element/Construction	PZT/Shear
Mounting Torque	5.9ft. lbs
Mounting Bolt provided	see: 'How To Order' table x 1.4in long
Weight	7.2 oz. (nominal) body only
Maximum Cable Length	3,280 ft.
Standard Cable Length	16 ft.
Screened Cable	Silicon - length to be specified with order
Mounting Threads	see: 'How To Order' table

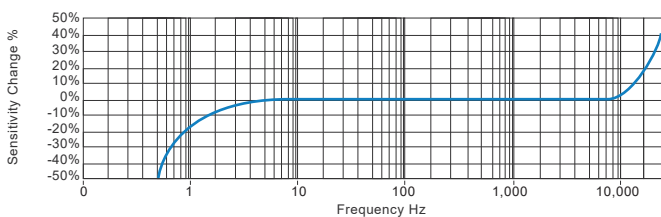
## Electrical

Excitation Voltage:	18-30Volts DC
Electrical Noise	0.1mg max
Current Range	0.5mA to 8mA
Bias Voltage	10 - 12 Volts DC
Settling Time	2 seconds
Output Impedance	200 Ohms max.
Case Isolation	$>10^8$ Ohms at 500 Volts

## Environmental

Operating Temperature Range	-58 to 300°F
Sealing	IP68
Maximum Shock	5000g
EMC	EN61326-1:2013

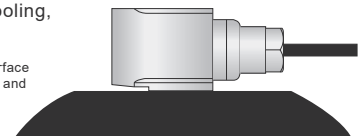
## Typical Frequency Response (at 100mV/g)



## Applications

Fans, Motors, Pumps, Compressors, Centrifuges, Conveyors, Air Handlers, Gearboxes, Rolls, Dryers, Presses, Cooling, VAC, Spindles, Machine Tooling, Process Equipment

Vibration sensor should be firmly fixed to a flat surface (spot face surface may be needed to be produced and cable anchored to sensor body.)



## How To Order

<b>Product Prefix</b> HS - Hansford Sensors	<b>Product Series</b> 150 - Premium Industrial Vibration Sensor	<b>Cable Length (if integral cable)</b> QXX - length specified in metres												
<b>H</b>	<b>S</b>	<b>1</b>	<b>5</b>	<b>0</b>	<b>S</b>	<b>X</b>	<b>X</b>	<b>X</b>	<b>X</b>	<b>X</b>	<b>X</b>	<b>X</b>	<b>X</b>	<b>X</b>
<b>Extra Options (if required)</b> F - Filtered RT - Temperature Output PT100 S - 90° Side Exit T - Temperature Output Y - 5% tolerance on sensitivity	<b>Sensitivity</b> 010 - 10mV/g 030 - 30mV/g 050 - 50mV/g 100 - 100mV/g 250 - 250mV/g 500 - 500mV/g	<b>Range</b> $\pm 800\text{g}$ $\pm 250\text{g}$ $\pm 160\text{g}$ $\pm 80\text{g}$ $\pm 32\text{g}$ $\pm 16\text{g}$	<b>Resonant Frequency</b> 34kHz (2,040kcpm) 33kHz (1,980kcpm) 32kHz (1,920kcpm) 30kHz (1,800kcpm) 28kHz (1,680kcpm) 26kHz (1,560kcpm)	<b>Cable/Connector</b> 34 - 4 Core PUR Cable with removable Stainless Steel Conduit 35 - 3 Core Silicon Cable with removable Stainless Steel Conduit	<b>Mounting Threads</b> 02 - 1/4-28" UNF Male 06 - M6 x 1mm Male 08 - M8 x 1.25mm Male									



www.hansfordsensors.com  
sales@hansfordsensors.com

We reserve the right to alter the specification of this product without prior notice  
TS980U.2

