

HS-173HT Premium Triaxial Accelerometer

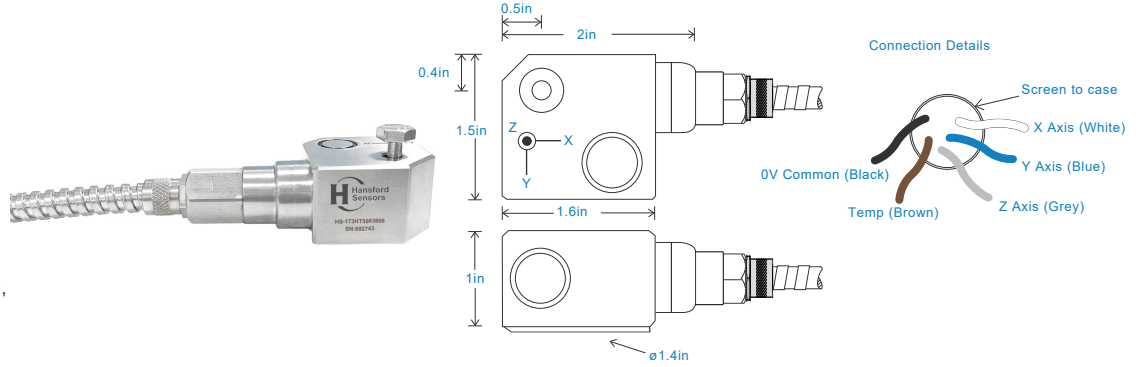
AC Acceleration and Temperature Output via 5 Core PTFE Cable with Protective Conduit

Key Features

- High Temperature
- For use with data collector
- Protective Conduit

Industries

Building services, Pulp and Paper, Mining, Metals, Utilities, Automotive, Water, Pharmaceutical



Technical Performance

Mounted Base Resonance	see 'How To Order' table (nominal)
Sensitivity	see: 'How To Order' table $\pm 10\%$ Nominal 80Hz at 72°F per axes
Frequency Response	120cpm (2Hz) to 600kcpm (10kHz) $\pm 5\%$ 90cpm (1.5Hz) to 720kcpm (12kHz) $\pm 10\%$ 48cpm (0.8Hz) to 900kcpm (15kHz) $\pm 3dB$
Isolation	Base isolated
Range	see: 'How To Order' table
Temperature Output	10 mV/°C - 300°F
Transverse Sensitivity	Less than 5%

Mechanical

Case Material	Stainless Steel
Sensing Element/Construction	PZT/Shear
Mounting Torque	5.9ft. lbs
Mounting Bolt Provided	see: 'How To Order' table x 1.2in long
Weight-Sensor Only	8.3 oz. (nominal) - Stainless Steel
Maximum Cable Length	3,280 ft.
Standard Cable Length	16 ft.
Screened Cable	PTFE Cable - length to be specified with order
Mounting Threads	see: 'How To Order' table
Submersible Depth	328 ft. max (10 bar)
Conduit Material	Stainless Steel
Conduit Length	Conduit Length is approx. 0.5m shorter than the cable

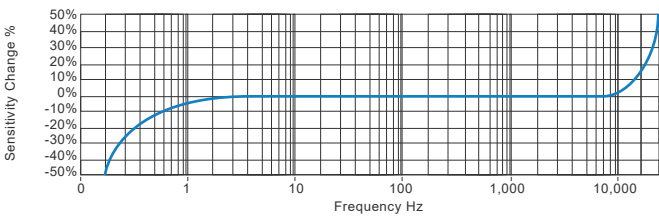
Electrical

Electrical Noise	0.1mg max
Current Range	0.5mA to 8mA
Bias Voltage	10 - 12 Volts DC
Settling Time	1 second
Output Impedance	200 Ohms max.
Case Isolation	$>10^8$ Ohms at 500 Volts

Environmental

Operating Temperature Range	-67 to 300°F
Sealing	IP68
Maximum Shock	5000g
EMC	EN61326-1:2013

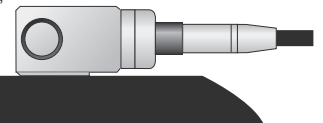
Typical Frequency Response (at 100mV/g)



Applications

Fans, Motors, Pumps, Compressors, Centrifuges, Conveyors, Air Handlers, Gearboxes, Rolls, Dryers, Presses, Cooling, VAC, Spindles, Machine Tooling, Process Equipment

Vibration sensor should be firmly fixed to a flat surface (spot face surface may be needed to be produced and cable anchored to sensor body.)



How To Order

Product Prefix	Product Series																																																	
HS - Hansford Sensors	173 - Triaxial Industrial Vibration Sensor																																																	
	H	S	1	7	3	X	X	X	X	X	X	X	X																																					
Extra Options (if required)	<table border="1"> <tr> <td>F - Filtered</td> <td>Sensitivity</td> <td>Range</td> <td>Resonant Frequency</td> <td>Cable/Connector</td> <td>Mounting Threads</td> </tr> <tr> <td>H - High Temperature</td> <td>010 - 10mV/g</td> <td>$\pm 800g$</td> <td>20kHz (1,800kcpm)</td> <td rowspan="6">38 - 5 Core PTFE Cable with Protective conduit.</td> <td>02 - 1/4-28" UNF Male</td> </tr> <tr> <td>T - Temperature Output</td> <td>030 - 30mV/g</td> <td>$\pm 250g$</td> <td>19kHz (1,680kcpm)</td> <td>06 - M6 x 1mm Male</td> </tr> <tr> <td></td> <td>050 - 50mV/g</td> <td>$\pm 160g$</td> <td>18kHz (1,560kcpm)</td> <td>08 - M8 x 1.25mm Male</td> </tr> <tr> <td></td> <td>100 - 100mV/g</td> <td>$\pm 80g$</td> <td>17kHz (1,440kcpm)</td> <td></td> </tr> <tr> <td></td> <td>250 - 250mV/g</td> <td>$\pm 32g$</td> <td>16kHz (1,320kcpm)</td> <td></td> </tr> <tr> <td></td> <td>500 - 500mV/g</td> <td>$\pm 16g$</td> <td>15kHz (1,200kcpm)</td> <td></td> </tr> </table>													F - Filtered	Sensitivity	Range	Resonant Frequency	Cable/Connector	Mounting Threads	H - High Temperature	010 - 10mV/g	$\pm 800g$	20kHz (1,800kcpm)	38 - 5 Core PTFE Cable with Protective conduit.	02 - 1/4-28" UNF Male	T - Temperature Output	030 - 30mV/g	$\pm 250g$	19kHz (1,680kcpm)	06 - M6 x 1mm Male		050 - 50mV/g	$\pm 160g$	18kHz (1,560kcpm)	08 - M8 x 1.25mm Male		100 - 100mV/g	$\pm 80g$	17kHz (1,440kcpm)			250 - 250mV/g	$\pm 32g$	16kHz (1,320kcpm)			500 - 500mV/g	$\pm 16g$	15kHz (1,200kcpm)	
F - Filtered	Sensitivity	Range	Resonant Frequency	Cable/Connector	Mounting Threads																																													
H - High Temperature	010 - 10mV/g	$\pm 800g$	20kHz (1,800kcpm)	38 - 5 Core PTFE Cable with Protective conduit.	02 - 1/4-28" UNF Male																																													
T - Temperature Output	030 - 30mV/g	$\pm 250g$	19kHz (1,680kcpm)		06 - M6 x 1mm Male																																													
	050 - 50mV/g	$\pm 160g$	18kHz (1,560kcpm)		08 - M8 x 1.25mm Male																																													
	100 - 100mV/g	$\pm 80g$	17kHz (1,440kcpm)																																															
	250 - 250mV/g	$\pm 32g$	16kHz (1,320kcpm)																																															
	500 - 500mV/g	$\pm 16g$	15kHz (1,200kcpm)																																															



www.hansfordsensors.com
sales@hansfordsensors.com

We reserve the right to alter the specification of this product without prior notice

TS1011U

