

HS-173RT Premium Triaxial Accelerometer

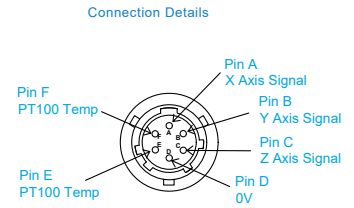
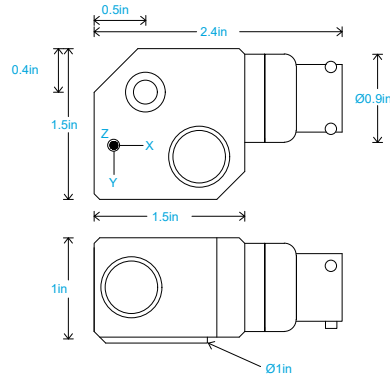
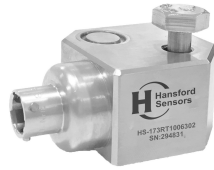
Three AC and PT100 temperature outputs via 6 Pin 62GB connector

Key Features

- Temperature Output
- Output via three axes
- For use with data collector
- Customisable features

Industries

Building services, Pulp and Paper, Mining, Metals, Utilities, Automotive, Water, Pharmaceutical



Technical Performance

Mounted Base Resonance	see 'How To Order' table (nominal) +3kHz for aluminium version
Sensitivity	see: 'How To Order' table ±10% Nominal 80Hz at 72°F per axes
Frequency Response	120cpm (2Hz) to 600kcpm (10kHz) ± 5% 90cpm (1.5Hz) to 720kcpm (12kHz) ± 10% 48cpm (0.8Hz) to 900kcpm (15kHz) ± 3dB
Isolation	Base isolated
Range	see: 'How To Order' table
Temperature Output	PT100 (-58°F to +932°C)
Transverse Sensitivity	Less than 5%

Mechanical

Case Material	Stainless Steel unless specified Aluminium
Sensing Element/Construction	PZT/Shear
Mounting Torque	5.9ft. lbs
Mounting Bolt Provided	see: 'How To Order' table x 30mm long
Weight	8.2 oz. (nominal) - Stainless Steel 4 oz. (nominal) - Aluminium
Connector	HS-AA125 Amphenol 62GB-16F10-06SN
Mounting Threads	see: 'How To Order' table

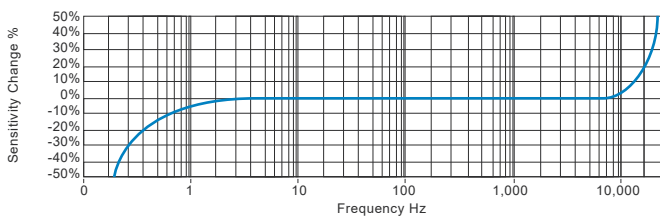
Electrical

Electrical Noise	0.1mg max
Current Range	0.5mA to 8mA
Bias Voltage	10 - 12 Volts DC
Settling Time	1 second
Output Impedance	200 Ohms max.
Case Isolation	>10 ⁸ Ohms at 500 Volts

Environmental

Operating Temperature Range	-67 to 266°F
Sealing	IP67
Maximum Shock	5000g
EMC	EN61326-1:2013

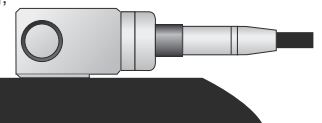
Typical Frequency Response (at 100mV/g)



Applications

Fans, Motors, Pumps, Compressors, Centrifuges, Conveyors, Air Handlers, Gearboxes, Rolls, Dryers, Presses, Cooling, VAC, Spindles, Machine Tooling, Process Equipment

Vibration sensor should be firmly fixed to a flat surface (spot face surface may be needed to be produced and cable anchored to sensor body.)



How To Order

Product Prefix HS - Hansford Sensors	Product Series 173 - Triaxial Industrial Vibration Sensor											
H	S	1	7	3	R	T	X	X	X	X	X	X
Extra Options (if required) AL - Aluminium Material F - Filtered RT - Temperature Output PT100 T - Temperature Output	Sensitivity 010 - 10mV/g 030 - 30mV/g 050 - 50mV/g 100 - 100mV/g 250 - 250mV/g 500 - 500mV/g	Range ±800g ±250g ±160g ±80g ±32g ±16g	Resonant Frequency 20kHz (1,800kcpm) 19kHz (1,680kcpm) 18kHz (1,560kcpm) 17kHz (1,440kcpm) 16kHz (1,320kcpm) 15kHz (1,200kcpm)	Cable/Connector 63 - 6 Pin 62GB	Mounting Threads 02 - ¼-28" UNF Male 06 - M6 x 1mm Male 08 - M8 x 1.25mm Male							



www.hansfordsensors.com
sales@hansfordsensors.com

We reserve the right to alter the specification of this product without prior notice
TS855U.5

