



- 8x FAST UNIVERSAL ANALOGUE INPUTS
- 4x/6x ANALOGUE INPUTS Pt, T/C, DU
- 2x PRECISE UNIVERSAL ANALOGUE INPUTS
- 4x ULTRA PRECISE ANALOGUE INPUTS
- LED SIGNALISATION OF INPUT STATE
- POWER SUPPLY VIA LINE

ANALOGUE INPUTS

OMC 8110 - 8UNIA is a fast 8-channel universal analogue input.

OMC 8110 - 6RTD is a fast 6-channel analogue input for sensors Pt/Ni/Cu.

OMC 8110 - 6TC is a fast 6-channel analogue input for thermo couples including Reference Junction Compensation.

OMC 8110 - 4DU is a fast 4-channel analogue input for linear potentiometers.

OMC 8120 - 2UNIC is a precise 2-channel universal analogue input.

OMC 8130 - 4DC is a ultra precise 4-channel analogue input for DC voltage and current.

OMC 8130 - 4PM is a ultra precise 4-channel analogue input for process-monitor signals up to 20 mA and ± 10 V.

OMC 8130 - 4DU is a ultra precise 4-channel analogue input for linear potentiometers.

EXPANSION MODULES

OMC 8110 - 8UNIA

OMC 8110 - 6RTD

OMC 8110 - 6TC

OMC 8110 - 4DU

OMC 8120 - 2UNIC

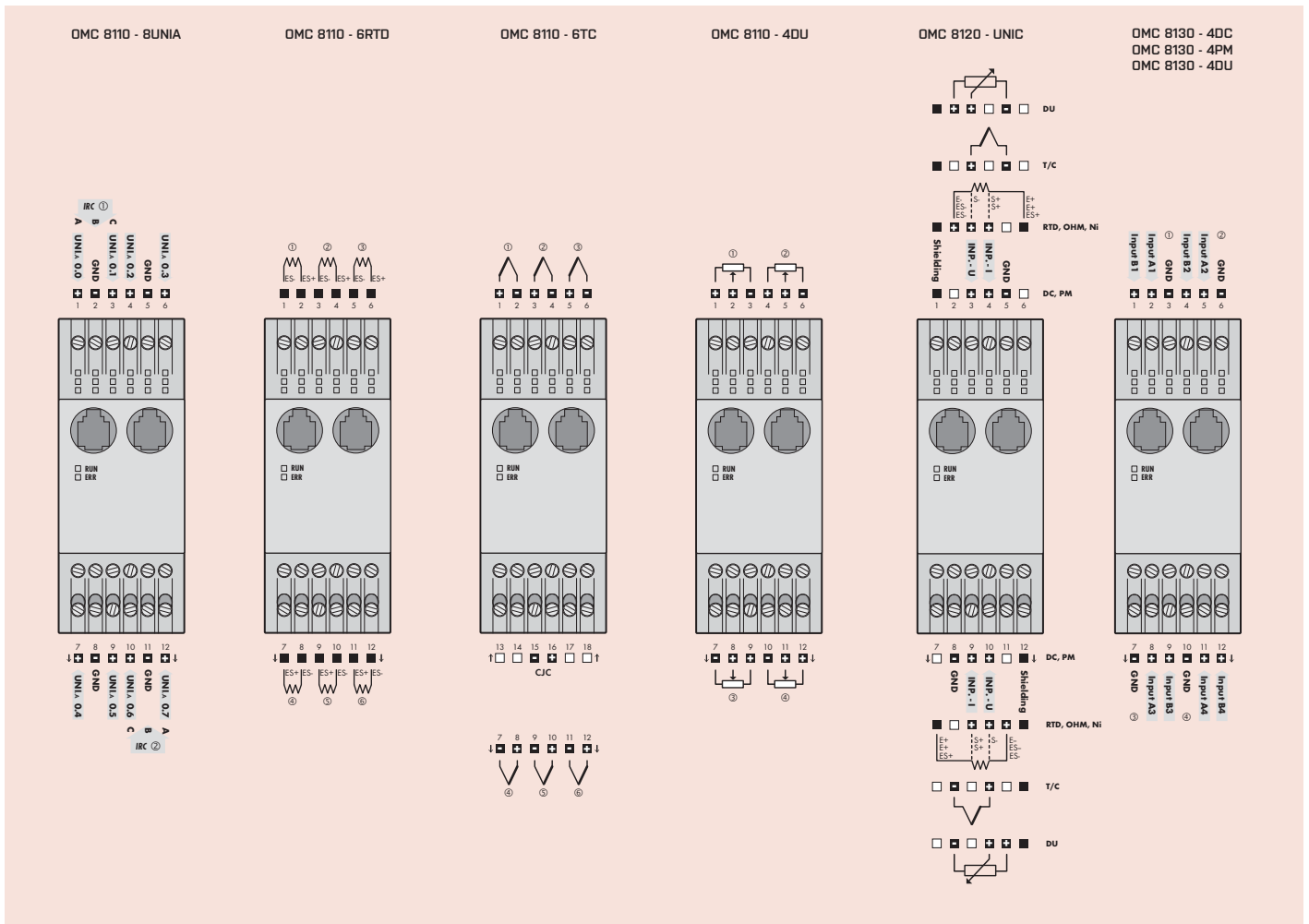
OMC 8130 - 4DC

OMC 8130 - 4PM

OMC 8130 - 4DU

	OMC 8110 - 8UNIA	OMC 8110 - 6RTD	OMC 8110 - 6TC	OMC 8110 - 4DU	OMC 8120 - 2UNIC	OMC 8130 - 4DC	OMC 8130 - 4PM	OMC 8130 - 4DU
INPUTS								
Number of inputs	8	6	6	4	2	4	4	4
Type	analogue, universal	analogue	analogue	analogue	analogue, ultra precise universal	analogue, ultra precise	analogue, ultra precise	analogue, ultra precise
Isolated inputs	no	no	no	no	yes	yes	yes	yes
Measuring range	0...3/10/30 V 0/4...20 mA Pt 1 000/Ni 1 000 PNP/NPN/kontakt [< 100 kHz] IRC [< 1 MHz]	Pt 100/500/1 000 Ni 1 000 Cu 50/100	J/K/T/E/B/S/R/N/L	lin. potentiometer < 500 Ω	$\pm 60/\pm 150/\pm 300$ /1200 mV 0...5 mA/0/4...20 mA $\pm 2/\pm 5/\pm 10/\pm 40$ V 0...0,1/1/10/100 k Ω Pt 50/100/500/1 000 Cu 50/100 Ni 1 000/10 000 J/K/T/E/B/S/R/N/L Lin. pot. [< 500 Ω]	± 1 mA/ ± 10 mA ± 300 mA/ ± 1 A ± 100 mV/ ± 1 V ± 10 V/ ± 100 V ± 5 A/ ± 300 V	0...5 mA 0/4...20 mA $\pm 2/\pm 5/\pm 10$ V	lin. potentiometer < 500 Ω
Resolution	12 bits	12 bits	12 bits	12 bits	24 bits	24 bits	24 bits	24 bits
Overload capacity	10x	10x	10x	10x	10x	10x (no 5 A/300 V)	10x	10x
Reference junction compensation	–	–	yes	–	yes	–	–	–
Accuracy	0,2 % of range	0,2 % of range	0,2 % of range	0,2 % of range	0,1 % of range	0,02 % of range	0,02 % of range	0,02 % of range
Rate	500 meas./s	500 meas./s	500 meas./s	500 meas./s	40 meas./s	100 meas./s	100 meas./s	100 meas./s
LED signalisation of input state	yes	yes	yes	yes	yes	yes	yes	yes
SPECIFICATIONS								
Module width	36 mm							
Maximum power consumption	150 mA							
Power supply	Powered by the Bus							
Working temperature	-20°...60°C							
Cover	IP 40							
Dielectric strength	2,5 kVAC after 1 min between Bus and inputs							
Insulation resistance	for pollution degree II, measuring cat. III, 300 V (Z), 150 (D)							
Electric safety	EN 61010-1, A2							
EMC	EN 61326-1							

CONNECTION



ORDER CODE

OMC 8110 - 8UNIA -

Number of inputs	4 inputs [1 - 4]	4
	8 inputs [1 - 8]	8

OMC 8110 - 6RTD -

Number of inputs	3 inputs [1 - 3]	3
	6 inputs [1 - 6]	6

OMC 8110 - 6TC -

Number of inputs	3 inputs [1 - 3]	3
	6 inputs [1 - 6]	6

OMC 8110 - 4DU -

Number of inputs	3 inputs [1 - 3]	3
	6 inputs [1 - 6]	6

OMC 8120 - 2UNIC -

Number of inputs	1 input [1]	1
	2 inputs [1 - 2]	2

OMC 8130 - 4DC -

Number of inputs	1 input [1]	1	•			
	2 inputs [1 - 2]	2	•	•		
	3 inputs [1 - 3]	3	•	•	•	
	4 inputs [1 - 4]	4	•	•	•	•
Measuring range	±1 mA [A], ±10 mA [B]	A	B	A	A	A
	±300 mA [A], ±1 A [B]	B	B	B	B	B
	±100 mV [A], ±1 V [B]	C	C	C	C	C
	±10 V [A], ±100 V [B]	D	D	D	D	D
	±5 A [A], ±300 V [B]	E	E	E	E	E
	on request	Z	Z	Z	Z	Z

OMC 8130 - 4PM -

Number of inputs	1 input [1]	1
	2 inputs [1 - 2]	2
	3 inputs [1 - 3]	3
	4 inputs [1 - 4]	4

OMC 8130 - 4DU -

Number of inputs	1 input [1]	1
	2 inputs [1 - 2]	2
	3 inputs [1 - 3]	3
	4 inputs [1 - 4]	4