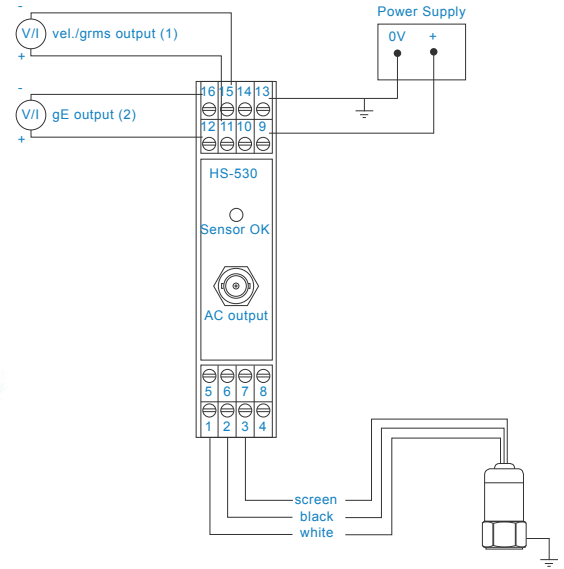


# HS-530 Vibration Module

## Four Outputs

### Key Features

- Enveloped 'g' Output
- RMS Velocity Output
- 0-10V Outputs for PLCs
- Buffered Acceleration Output (for Data Collection)
- TDX OK Function
- DIN Rail Mounted



### Technical Performance

Input	100 mV/g constant current accelerometer (other sensitivities available)
Frequency Range	600cpm (10Hz) to 600kcpm (10kHz) -3dB
Output 1	Input Filters 30kcpm (500Hz) to 600kcpm (10kHz) -3dB 2-pole Butterworth
Output 2	Post-Envelope Filter 600cpm (10Hz) to 60kcpm (1 kHz) -3dB 2-pole Butterworth
Velocity Filters	600cpm (10Hz) to 60kcpm (1kHz) -3dB 2-pole Butterworth

### Mechanical

Case Material	Plastic
Mounting	DIN Rail TS35 (Top Hat)
Dimensions	5.3 x 3.9 x 0.9 in (H x D x W) including BNC
Connections	Screw Clamp
Conductor Size	0.02 to 0.2 in
Weight	4.9 oz. (nom)

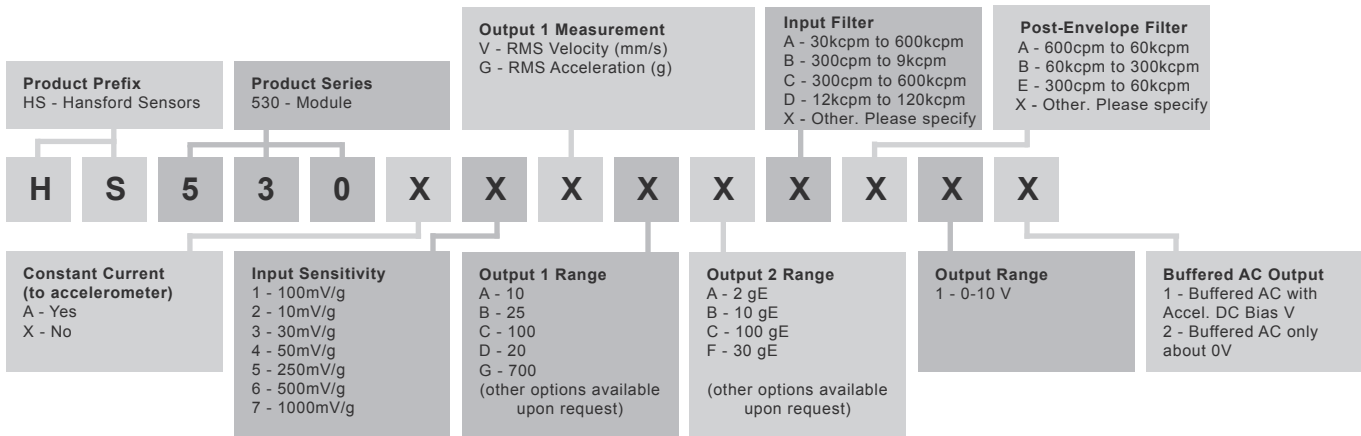
### Electrical

Power Input	+24 V DC at 50 mA (HS-570 Power Supply Module)
Output 1	0-10 VDC = 0-20 mm/s rms Velocity (other ranges available)
Output 2	0-10 VDC = 0-10 gE (other ranges available)
Output 3 (BNC)	Buffered acceleration output with DC bias voltage (nom. 12 VDC) AC only about 0 V on request
Output 4	Buffered gE AC output with 9 VDC Ref. Voltage
TDX OK	Transducer OK. Outputs held at 0 V if in fault

### Environmental

Operating Temperature Range	32 to 140°F
Installation Category (IEC664)	II
Equipment Class (IEC536)	III
EMC	EN61326-1:2013

### How To Order



[www.hansfordsensors.com](http://www.hansfordsensors.com)  
[sales@hansfordsensors.com](mailto:sales@hansfordsensors.com)

We reserve the right to alter the specification of this product without prior notice  
TS024.2

