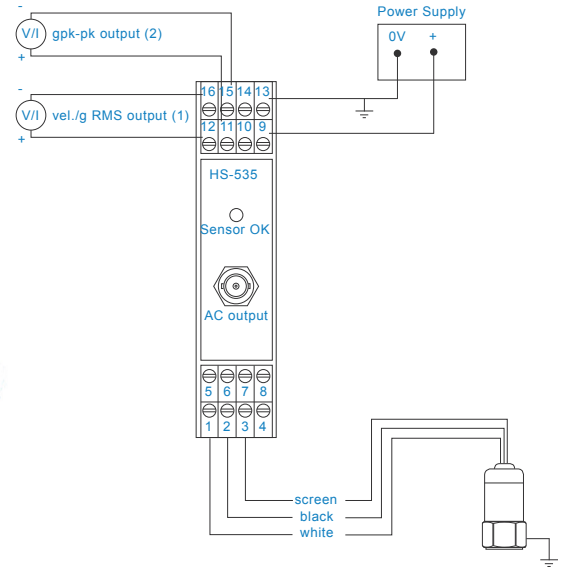


# HS-535 Vibration Module

## Three Outputs

### Key Features

- Converts AC input to multiple outputs
- Din Rail Mounted
- TDX OK Function
- RMS Velocity Output
- Peak 'g' Output
- 0-10V and 4-20mA Outputs for PLCs
- Buffered Acceleration Output (for data collection)
- Displacement peak or peak to peak



### Technical Performance

Input	100 mV/g constant current accelerometer
G (RMS)	600cpm to 300kcpm
Frequency Range	120cpm to 600kcpm (-3dB)
G pk-pk Filters	600cpm to 90kcpm or 210kcpm or 300kcpm (-3dB) 2-pole Butterworth. Set by internal links
Velocity Filters	600cpm to 60kcpm (-3dB) 2-pole Butterworth
Displacement Filters	600cpm to 2.4kcpm (-3dB) 2-pole Butterworth

### Mechanical

Case Material	Plastic
Mounting	DIN Rail TS35 (Top Hat)
Dimensions	5.3 x 3.9 x 0.9 in (H x D x W) including BNC
Connections	Screw Clamp
Conductor Size	0.02 to 0.2 in
Weight	4.9 oz. (nom)

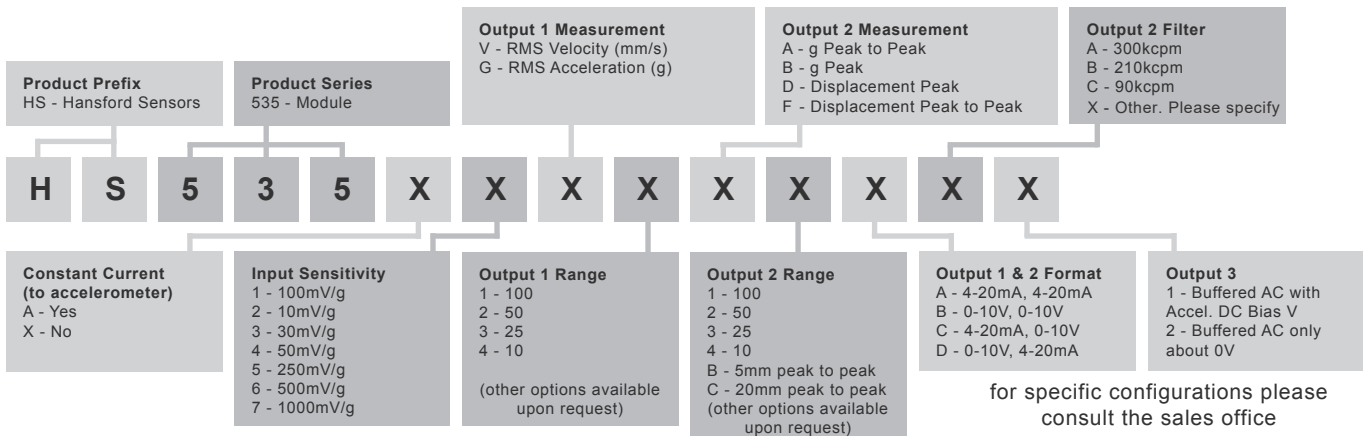
### Electrical

Power Input	+24 V DC at 50 mA (HS-570 Power Supply Module)
Output 1	0-10 VDC or 4-20 mA = velocity or g RMS. Set by internal link.
Output 2	0-10 VDC or 4-20 mA = g pk or pk to pk or displacement, see 'How To Order' table. Set by internal links
Output 3 (BNC)	Buffered accel. Output with DC bias voltage (nom. 12 VDC) AC only about 0 V optional - on request
TDX OK	Transducer OK. Outputs 1 & 2 held at 0 V or 2 mA when in fault

### Environmental

Operating Temperature Range	32 to 140°F
Installation Category (IEC664)	II
Equipment Class (IEC536)	III
EMC	EN61326-1:2013

### How To Order



[www.hansfordsensors.com](http://www.hansfordsensors.com)  
[sales@hansfordsensors.com](mailto:sales@hansfordsensors.com)

We reserve the right to alter the specification of this product without prior notice  
TS025U.3

