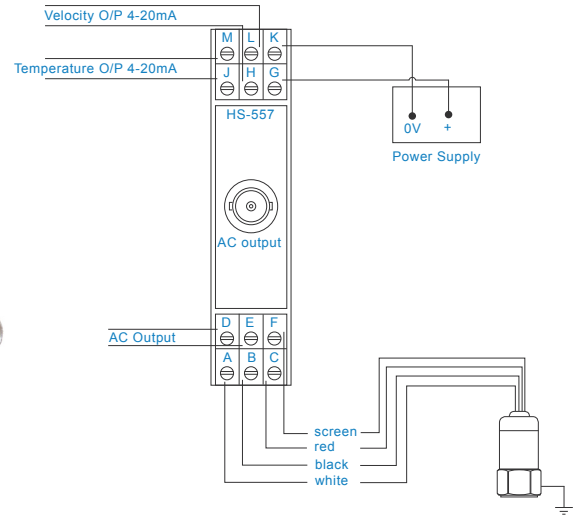


HS-557 Vibration Module

Dual output 4-20mA output

Key Features

- Industrial Accelerometer input
- 4-20mA Velocity or 'g' output
- Low pass filter
- Din Rail Mounted
- Buffered Accelerometer output (for data collection) via BNC and screw terminals
- Temperature Input
- 4-20mA Temperature Output



Technical Performance

| | |
|--------------------------------------|---|
| Input 1 | Temperature Sensor PT100 or 10 mV/°C |
| Acceleration Range or Velocity Range | To be specified |
| Frequency Range | 2 Hz to 10 kHz (-3 dB) - ISO 10816 |
| Filters | Velocity version: 10 Hz to 1 kHz (-3dB) 2-pole Butterworth 'g' version: 10 Hz to 5 kHz (-3dB) 2-pole Butterworth |

Mechanical

| | |
|----------------|--------------------------------------|
| Case Material | Plastic |
| Mounting | DIN Rail TS35 (Top Hat) |
| Dimensions | 4.7 x 3 x 1 in (HxDxW) including BNC |
| Connections | Screw Clamp |
| Conductor Size | 0.02 to 0.2 in |
| Weight | 2.8 oz. (nom) |

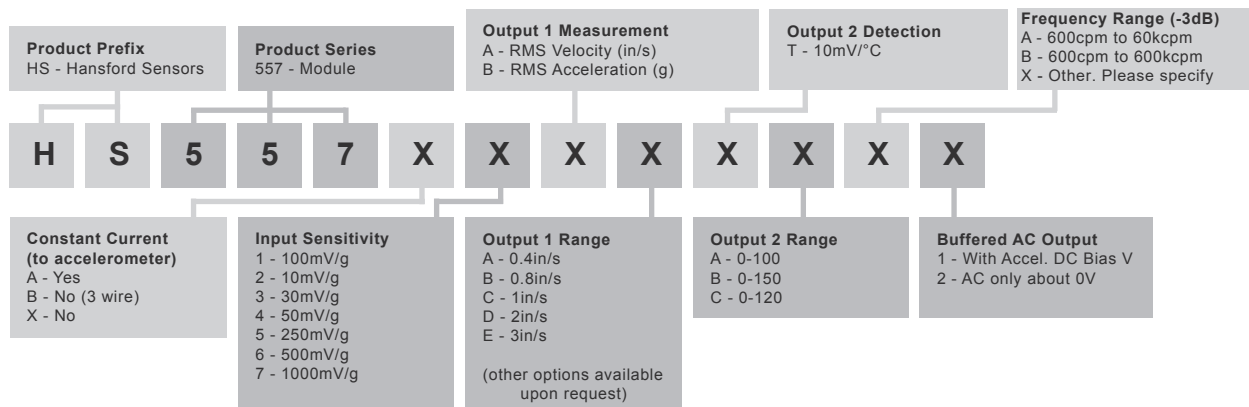
Electrical

| | |
|-------------|--|
| Power Input | 24 V DC @ 70 mA (from HS-570 Power Supply Module) |
| Output 1 | Velocity version: 4-20 mA = 0-25 mm/s rms 'g' version: 4-20 mA = 0-5 g rms Max. load resistance = 500 Ohms |
| Output 2 | Temperature 4-20 mA = 32-212°F (others available) |
| Output 3 | Buffered accel. Output with DC bias voltage (nom 12 VDC) AC only about 0 V on request |

Environmental

| | |
|--------------------------------|----------------|
| Operating Temperature Range | 32 to 131°F |
| EMC | EN61326-1:2013 |
| Installation Category (IEC664) | II |
| Equipment Class (IEC536) | III |

How To Order



www.hansfordsensors.com
sales@hansfordsensors.com

We reserve the right to alter the specification of this product without prior notice
TS104U.4

