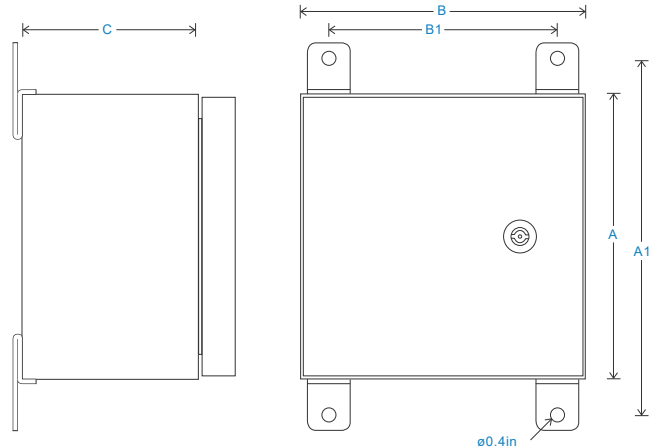


HS-SE-SSM Switching Enclosure

Stainless Steel

Key Features

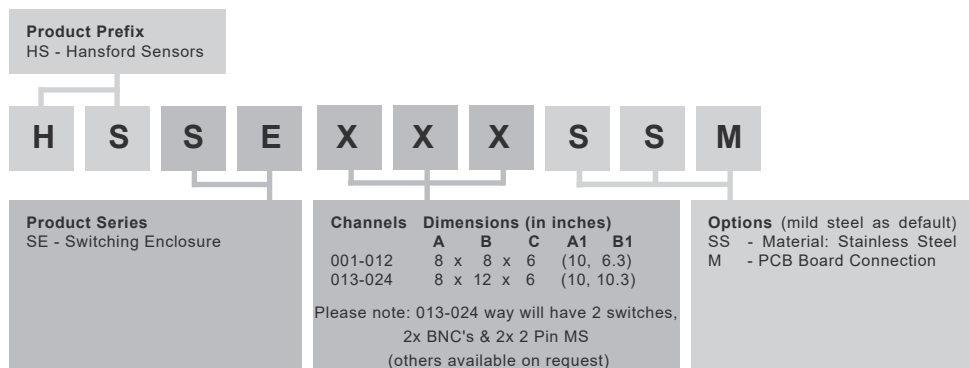
- BNC and 2 Pin MS output
- Provides a terminal to take readings from accelerometers via a portable data-collector
- Multiple outputs via one connector
- Easy to install



Technical Performance

Inputs	Via accelerometer	Door	Lock and polyamide key
Output	BNC and 2 Pin MS as standard	Glanding	Glands supplied but not fitted
Mounting Board	PCB Panel (customizable upon request)		Holes are punched for: Single input M12 - ø0.1-0.3in cable Single input M20 - ø0.3-0.7in multi-core cable Multi input M20 - 3 x ø0.2in
Material	304 Stainless Steel (to be specified in options of 'How To Order' table)		Channel locations - other labelling available upon request
Dimensions	see: diagram	Labelling	supplied are 4 x Brackets
Termination	Spring-loaded terminal (no screwdriver required)	Mounting	EN61326-1:2013
Sealing	NEMA 4X	EMC	

How To Order



www.hansfordsensors.com
sales@hansfordsensors.com

We reserve the right to alter the specification of this product without prior notice
 TS412U.9

