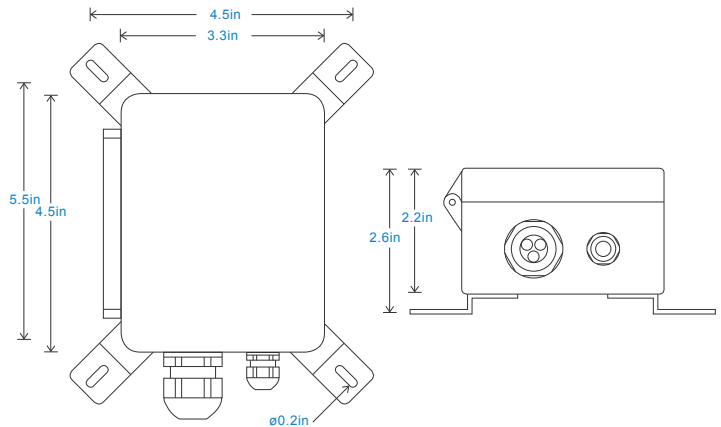


# HS-DE Diecast Enclosure

Powdercoated Black Aluminium

## Key Features

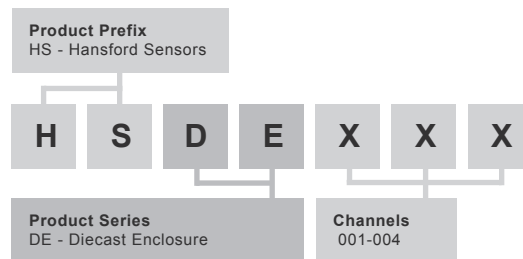
- Provides a terminal to take readings from accelerometers via a portable data-collector
- Multiple outputs via multiple connectors



## Technical Performance

Inputs	Via accelerometer	Glanding	Glands supplied but not fitted
Output	BNC		Holes are punched for:
Material	Powdercoated Black Aluminium		Single input M12 - ø0.1-0.3in cable
Dimensions	see: diagram	Single input M20 - ø0.3-0.7in multi-core cable	
Sealing	NEMA 12	Multi input M20 - 3 x ø0.2in	
Termination	Industrial connectors	Mounting	supplied are 4 x Brackets
Door	Single latch closing	EMC	EN61326-1:2013

## How To Order



[www.hansfordsensors.com](http://www.hansfordsensors.com)  
[sales@hansfordsensors.com](mailto:sales@hansfordsensors.com)

We reserve the right to alter the specification of this product without prior notice  
 TS221U.1

