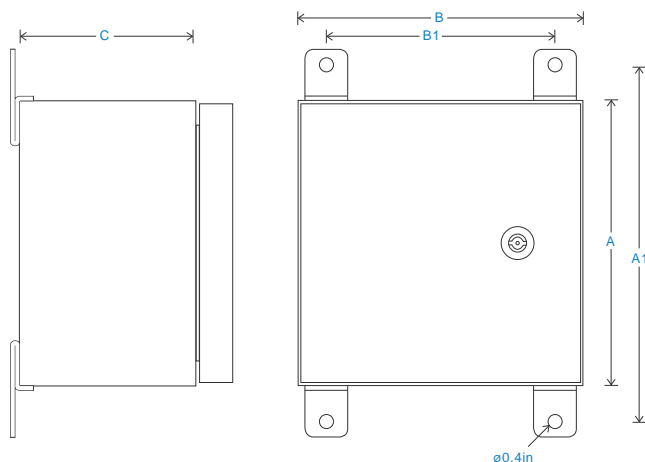


HS-SE-TX-SS Switching Enclosure

Stainless Steel Enclosure for use with Triaxial

Key Features

- Provides a terminal to take readings from Triaxial accelerometers via a portable data-collector
- Multiple outputs via one connector

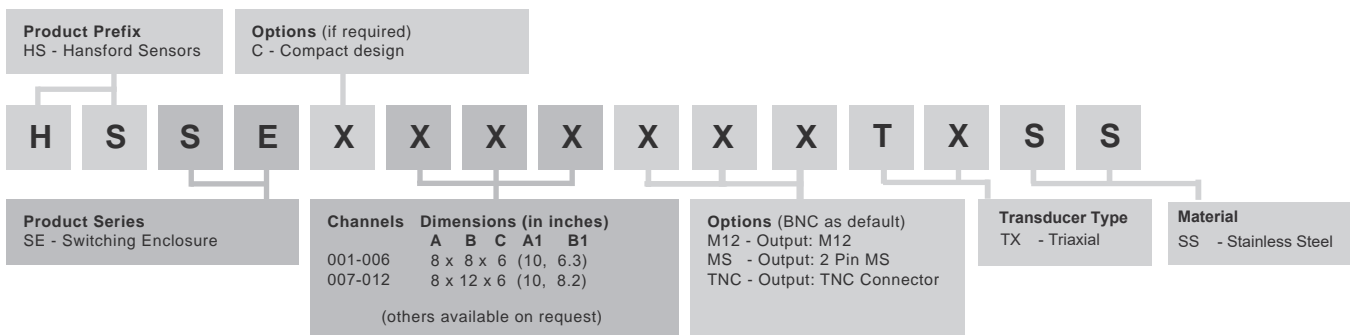


dimensions to be specified in 'how to order' table

Technical Performance

Inputs	Via accelerometer	Door	Lock and polyamide key
Output	BNC as standard (alternatives can be specified in 'How To Order' table)	Glanding	Glands supplied but not fitted
Mounting Board	Engraved traffolyte panel (customisable upon request)		Holes are punched for: Single input M12 - ø0.1-0.3in cable Single input M20 - ø0.3-0.7in multi-core cable
Material	304 Stainless Steel (to be specified in options of 'How To Order' table)	Labelling	Multi input M20 - 3 x ø0.2in Channel locations - other labelling available upon request
Dimensions	see: 'How To Order' table	Mounting	supplied are 4 x Brackets
Sealing	IP66	EMC	EN61326-1:2013
Termination	Din rail terminals wired to switch		

How To Order



www.hansfordsensors.com
sales@hansfordsensors.com

We reserve the right to alter the specification of this product without prior notice
TS1018U.1

