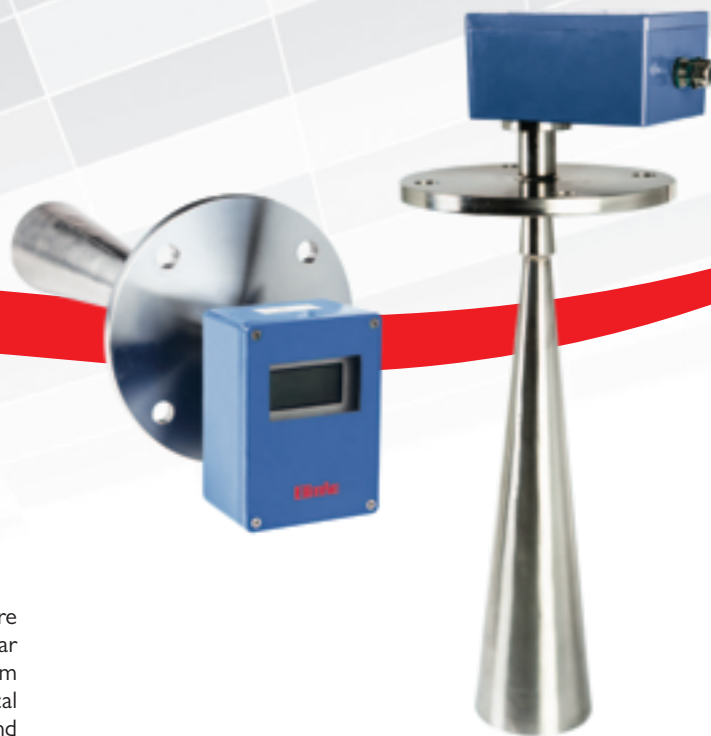




E-RLT-100 SERIES RADAR LEVEL SENSOR



DESCRIPTION

E-RLT-100 series Radar Level Sensors are designed to measure the level of material in silos. 24 GHz K-Band FMCW Radar provides high resolution reliable measurement with narrow beam microwave transmission. Optional two-wire 4-20mA electrical interface with optional HART output simplifies installation and reduces maintenance costs. The antenna options with different lengths can be adapted to various process conditions.

- 24 GHz K Band High Resolution FMCW Radar
- Very narrow radiation that provides interference free measurement in small silos.
- Stainless steel funnel antenna with different dimensions
- 4-20 mA two-wire easy connection
- Optional HART 7.0 communication protocol
- Front panel LCD display and keys for easy configuration of sensor parameters
- Faulty echo and interference prevention filter
- PC configuration software
- IP-65 Aluminum Sensor casing

APPLICATIONS

- Oil
- Sand
- Plastic, Granular Plastic
- Flour
- Quartz Powder
- Coal
- Sugar
- Cement
- Grain, Cereal
- Lime
- Acid
- Water
- Waste Water
- Turbid Water



- This controller complies with the European Low Voltage Directive 2006/95/EC, by the application of safety standard TS EN 61010-1. (Pollution degree 2)
- This controller complies with the EMC Directive 2004/108/EC by the application of EMC standard TS EN 61326.

TECHNICAL SPECIFICATIONS

Measurement Accuracy	± 5mm
Applications	Level measurement for solid and liquid
Maximum Distance	35m
Process connection	Flanged DN 100 PN 6
Antenna material	AISI304L
Process temperature	-40 ... +130°C
Process pressure	-1 ... 6bar
Frequency range	24 ... 26GHz
Power supply	20 ... 35VDC
Output signal	2 wired 4 ... 20mA, HART (optional)
Output Resolution	0.25µA (16 bit)
Maximum Load	(VDC-19) x 50 Ohm
Cable input	PG 11 Union
Coupling terminals	Max. cable section 2.5mm ²
Housing	Aluminum
Ambient Temperature	- 20 ... + 50 °C
Storage Temperature	- 30 ... + 70 °C
Antenna Type (Signal width)	Antenna Diameter (Beam Angle) Ø 40mm (20°), Ø 48mm (15°), Ø 75mm (10°), Ø 95mm (8°)

ORDERING GUIDE

E-RLT-100 Radar Level Sensor

E-RLT-100 - X - Y - Z

Standard Features

Antenna Type

40 mm Funnel	0
48 mm Funnel	1
75 mm Funnel	2
95 mm Funnel	3

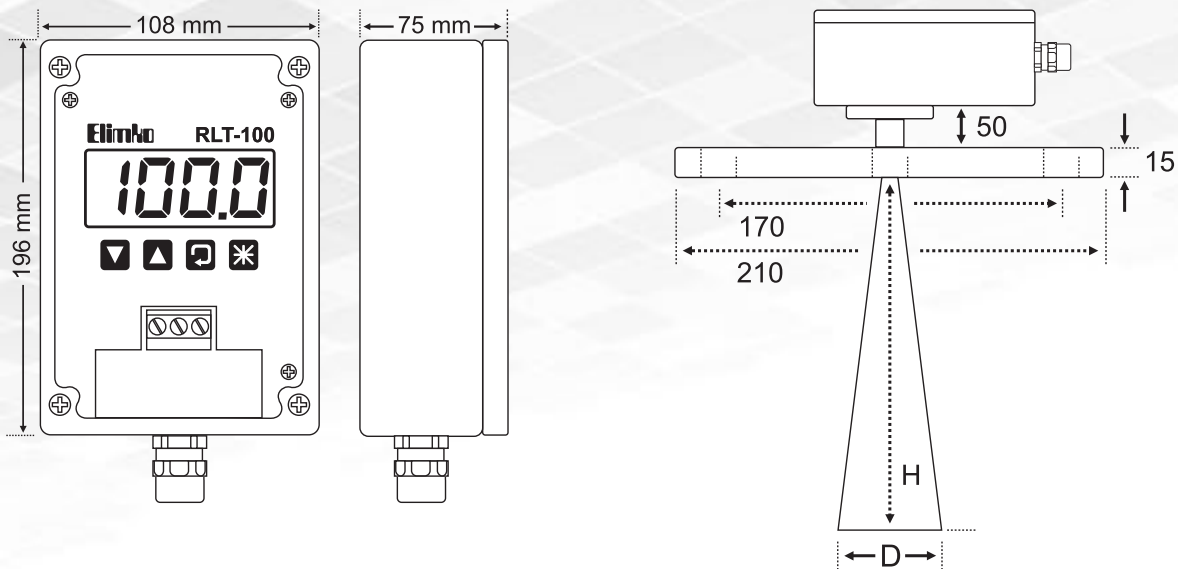
Silo Connection

DN100	0
-------	---

Hart

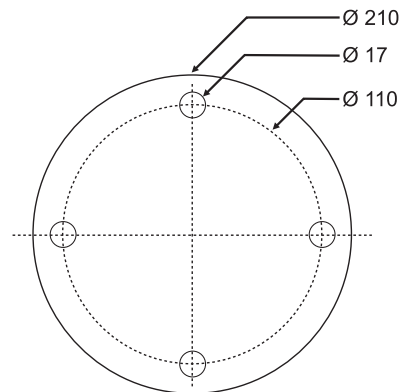
No	0
Yes	1

DIMENSIONS



Antenna Dia.	D	H
Ø 40 mm	40 mm	175 mm
Ø 48 mm	40 mm	215 mm
Ø 75 mm	75 mm	335 mm
Ø 95 mm	95 mm	420 mm

Note: Measurements are given in mm.



Elimko

Elimko Electronic Production and Control Co. Ltd.
 8. Cadde 21. Sokak No: 16 Emek 06510 Ankara / Turkey
 Tel: (+90) 312 212 6450 (Pbx) • Faks: (+90) 312 212 4143
 e-mail: elimko@elimko.com.tr • www.elimko.com.tr



[in](#) /elimkoldsti
[f](#) /elimkoldsti
[v](#) /elimkoldsti