

Intelligent, versatile Colour A4 multifunctional with flexible connectivity

The imageRUNNER ADVANCE C356i III offers much of the functionality of an A3 device, making them a great addition to any busy working groups who require a compact solution.

WORKFLOW EFFICIENCY

- Intuitive touchscreen provides users with smartphone-like usability, making navigation a breeze.
- Intelligent feeder allows effortless, rapid scanning with features like multi-sheet feed detection and skip blank originals.
- My ADVANCE enables a unique, personal experience tailored to meet each user's workflow needs. Settings, such as display language, initial log-in screen, and accessibility options, can be synchronised across multiple devices for consistency.
- Canon's MEAP platform provides process optimisation, by integrating with a range of powerful document, capture and output management solutions.
- Scalable support for mobile where users can connect directly to the device with Direct Access Point. Capture, scan or print documents easily with the Canon Print Business app.
- Intelligent Recovery wakes device from sleep mode when user is approaching device via motion sensor technology.

COST MANAGEMENT

- The ability to apply print policies, monitor output, and restrict usage by user helps reduce unnecessary printing, resulting in lower total document cost.
- Tight integration with output management solutions, such as uniFLOW, provides the ability to carry out detailed tracking, reporting, and cost analysis.
- Quality and reliability, combined with remote diagnostics and assistance, can help reduce costs by minimising downtime and time spent by IT resolving issues.
- Consistent user operation combined with remote and centralised fleet management can help simplify IT management of devices and entire fleets.

SECURITY

- Control who has access to the device with different authentication methods such as picture login, department ID, user authentication and card access.
- Ensure information privacy and security across your network with IPsec, port filtering capabilities, and SSL technology.
- Enhance document confidentiality with encrypted secure print, secure print, secure watermark, encrypted PDF and device signature PDF.
- Ensure device is safe from unknown firmware installation with system verification at startup.
- Integrate with third-party solutions for complete monitoring protection.



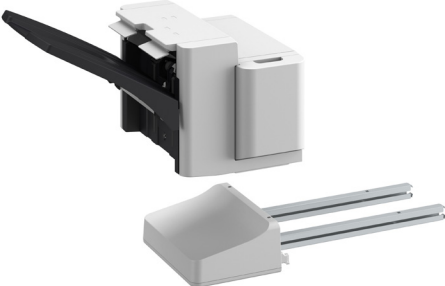
QUALITY AND RELIABILITY

- V² (Vivid & Vibrant) imaging technology ensures high quality printouts that impress time after time.
- Supreme transferability of toner and stable reproduction of colours onto a wide range of media, even at large volumes.
- State-of-the-art imaging technologies and toner allow for consistently striking images with 1,200 dpi print resolution.
- Canon's device management tools give you a centralised point of control across your entire fleet, upgrade devices remotely, check device and consumables status and capture meter readings.
- Standard PCL and Adobe® PostScript™ print driver allows seamless integration with enterprise applications.
- Remote diagnostics allow timely, accurate and effective resolution.
- Intuitive user maintenance videos and status notifications available to help achieve maximum uptime and keep supplies replenished.

SUSTAINABILITY

- CS Toner (consistently stable) provides print quality even for high volume print jobs.
- Minimise paper waste by holding jobs at the device with Force Hold Print. Choose to preview your print jobs or even change print settings at the device to achieve the desired results at the first time of printing.
- Incorporates sustainable design, with the use of recycled materials and bio-based plastic, and a focus on minimising environmental impact.
- Consumes as little as 0.8W in sleep mode.

MAIN CONFIGURATION OPTIONS




STAPLE FINISHER - Z1

- 1-tray, 500 -sheet capacity
- Corner stapling up to 30 sheets (80 gsm)



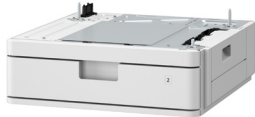
CASSETTE FEEDING UNIT-AJ1

- Supports up to A4
- Media weight 60-163 gsm
- 550 sheets (80 gsm)
- Floor standing



CASSETTE FEEDING UNIT-AK1

- Supports up to A4
- Media weight 60-163 gsm
- 3 x 550 sheets (80 gsm)
- Floor standing



CASSETTE MODULE-AE1

- Supports up to A4
- Media weight 60-163 gsm
- 550 sheets (80 gsm)
- Desktop

MAIN UNIT

Type

A4 Colour Laser Multifunctional

Core Function

Print, Copy, Scan, Send, Store and Optional Fax

Processor

Canon Dual Custom Processor (Shared)

Control Panel

10.1 inch TFT LCD WSVGA Colour Touch Panel

Memory

Standard: 3.0GB RAM

Hard Disk Drive

Standard: 250GB

Interface Connection

Network Standard: 1000Base-T/100Base-TX/10Base-T,
Wireless LAN (IEEE 802.11 b/g/n)

Optional: NFC, Bluetooth Low Energy

Others

Standard: USB 2.0 x1 (Host), USB 3.0 x1 (Host),
USB 2.0 x1 (Device)

Optional: Serial Interface, Copy Control
Interface

Paper Supply Capacity (A4, 80gsm)

Standard : 650 Sheets (1 x 550-sheet cassette, 100-sheet
multi-purpose tray)

Maximum : 2,300 Sheets (with Cassette Feeding Unit-AK1)

Paper Output Capacity (A4, 80gsm)

Standard : 250 Sheets

Maximum : 500 Sheets (with Staple Finisher-Z1)

Finishing Capabilities

Standard : Collate, Group

With Staple Finisher-Z1: Collate, Group, Offset, Staple

Supported Media Types

Paper Cassette:

Thin, Plain, Thick, Colour, Recycled, Pre-punched, Bond,
Envelope

Multi-Purpose Tray:

Thin, Plain, Thick, Colour, Recycled, Pre-punched, Transparency,
Label, Bond, Envelope

Supported Media Sizes

Paper Cassette:

Standard size: A4, A5, A5R, A6, B5, Envelope [No. 10 (COM
10)], Monarch, ISO-C5, DL]

Custom Size: 98.0 x 190.5 mm to 216.0 x 355.6 mm

Multi-Purpose Tray:

Standard size: A4, A5, A5R, A6, B5, Envelope [No.10
(COM10)], Monarch, ISO-C5, DL]

Custom Size: 98.0 x 148.0 mm to 216.0 x 355.6 mm

Envelope custom size: 98.0 x 148.0 mm to 216.0 x 355.6 mm

Supported Media Weights

Cassettes : 60 to 163 gsm

Multi-purpose tray : 60 to 220 gsm

Duplex : 60 to 163 gsm

Warm-up Time

From Power On : 30 Seconds or Less^{*1}

From Deep Sleep Mode: 10 Seconds or Less

Quick Startup Mode : 4 seconds or less^{*2}

*1 Time from device power-on, until copy ready

*2 Time from device power-on to when key operations can be performed
on the touch panel display.

Dimensions (W x D x H)

511 mm x 651 mm x 639 mm

With Cassette Feeding Unit-AJ1 or AK1:

511 mm x 651 mm x 1,064 mm

Installation Space (W x D)

Basic: 852 mm x 908 mm

(Multi-purpose tray open + Cassette
Drawers open)

Fully configured:

1,407 mm x 908 mm (STAPLE FINISHER-Z1 +

Multi-purpose tray open + Cassette Drawers open)

Weight including the toner

Approx. 50 kg including toner

Approx. 66 kg including toner (with Cassette Feeding Unit-AJ1)

Approx. 60 kg including toner (with Cassette Module-AE1)

Approx. 69 kg including toner (with Cassette Feeding Unit-AK1)

Print Specifications

Print Speed (Simplex, BW/CL)

iR-ADV C356i III Up to (ppm): 35 (A4)
26 (A5R)

61 (A5)

23 (A6)

Print Resolution (dpi)

Data processing resolution: 600 x 600 (Default), 1,200 x 1,200

Page Description Languages

Standard: UFR II, PCL6, Adobe PS 3

Direct Print

Direct printing available from USB memory, Advanced box,

Remote UI and Web Access^{*}

Supported File Types: PDF, TIFF, JPEG, XPS

*Only PDF print from websites is supported.

Printing From Mobile and Cloud

AirPrint, Mopria, Google Cloud Print, and Canon Print Business
and uniFLOW Online

Fonts

PCL fonts: 93 Roman, 10 Bitmap fonts, 2 OCR fonts,
Andalé Mono WT/J/K/S/T¹ (Japanese, Korean,
Simplified and Traditional Chinese),
Barcode fonts^{*2}

PS fonts: 136 Roman

*1 Requires optional PCL INTERNATIONAL FONT SET-A1

*2 Require optional BARCODE PRINTING KIT-D1

Operating System

UFR II: Windows 7/8.1/10/Server 2008/Server 2008 R2/Server
2012/Server 2012 R2/Server 2016, MAC OS X (10.9 or later)

PCL: Windows 7/8.1/10/Server 2008/Server 2008 R2/Server
2012/Server 2012 R2/Server 2016

PS: Windows 7/8.1/10/Server 2008/Server 2008 R2/Server
2012/Server 2012 R2/Server 2016, MAC OS X (10.9 or later)

PPD: MAC OS X (10.3.9 or later), Windows 7/8.1/10

Copy Specifications

Copy Speed (Simplex, BW/Colour)

iR-ADV C356i III Up to (ppm): 35 (A4)
26 (A5R)

61 (A5)

23 (A6)

Copy Resolution (dpi)

Reading : 600 x 600

Printing : Up to 2,400 equivalent x 600

Multiple Copies

Up to 999 copies

Copy Density

Automatic or Manual (9 Levels)

Magnification

25% - 400% (1% Increments)

Preset Reductions

25%, 50%, 70%, 81%, 86%

Preset Enlargements

115%, 122%, 141%, 200%, 400%

Scan Specifications

Type

Single-pass Duplexing Automatic Document Feeder [2-sided
to 2-sided (Automatic)]

Document Feeder Paper Capacity (80gsm)

100 Sheets

Acceptable Originals and Weights

Platen media size:

Sheet, Book, 3-Dimensional Objects

(Height: Up to 30 mm, Weight: up to 2 kg)

Document Feeder media weights (BW/CL):

1-sided scanning: 42 to 128 gsm/64 to 128 gsm

2-sided scanning: 50 to 128 gsm/64 to 128 gsm

Supported Media Sizes

Platen: max. scanning size: 216.0 x 355.6 mm

Document Feeder media size:

A4, A5, A6, B5, Custom size: 105.0 x 148.0 mm to

216.0 x 355.6 mm

Scan Speed (A4, BW/CL)

1-sided Scanning (ipm): 50/50 (300 dpi), 30/30 (600 dpi)

2-sided Scanning (ipm): 100/100 (300dpi), 50/50 (600 dpi)

Scan Resolution (dpi)

600 x 600, 400 x 400, 300 x 300, 200 x 400, 200 x 200,

200 x 100, 150 x 150, 100 x 100

Pull Scan Spec

Colour Network ScanGear2. For both Twain and WIA

Supported OS: Windows 7/8.1/10/Server 2008/Server 2008

R2/Server 2012/Server 2012 R2/Server 2016

Send Specifications

Destination

E-mail/Internet FAX (SMTP), SMB v3.0, FTP, WebDAV, Mail Box,

Super G3 FAX(Optional), IP FAX(Optional)

Address Book

LDAP (2,000)/Local (1,600)/One-touch (200)

Send Resolution (dpi)

600 x 600, 400 x 400, 300 x 300, 200 x 400, 200 x 200,

200 x 100, 150 x 150, 100 x 100

Communication Protocol

File : FTP (TCP/IP), SMB v3.0, WebDAV

E-mail/Fax : SMTP, POP3

File Format

Standard : TIFF, JPEG, PDF (Compact, Apply policy,
Optimize for Web, PDF A/1-b, Encrypted,
Device Signature), XPS (Compact, Device
Signature)

Optional : PDF (Trace & Smooth, Searchable, User
Signature), XPS (Searchable, User Signature),
Office Open XML (PowerPoint, Word)

Fax Specifications

Optional/Standard : Optional on all models

Maximum Number of Connection Lines : 2

Modem Speed

Super G3 : 33.6 kbps

G3 : 14.4 kbps

Compression Method

MH, MR, MMR, JBIG

Resolution (dpi)

400 x 400, 200 x 400, 200 x 200,
200 x 100

Sending/Recording Size

A4, A5*, A6* and B5*

* Sent as A4

FAX Memory

Up to 30,000 pages

Speed Dials

Max. 200

Group Dials/Destinations

Max. 199 dials

Sequential Broadcast

Max. 256 addresses

Memory Backup

Yes

Store Specifications

Mail Box (Number supported)

100 User Inboxes, 1 Memory RX Inbox,

50 Confidential Fax Inboxes

30,000 Maximum Pages Stored

Advanced Box

Communication Protocol: SMB or WebDAV

Supported Client PC: Windows (Windows 7/8.1/10)

Concurrent Connections (Max.): SMB: 64, WebDAV:
3 (Active Sessions)

Advanced Box Available Disc Space

Approx. 16GB (Standard HDD)

Memory Media

Standard: USB Memory

Security Specifications

Authentication

Standard : User Authentication (Picture Login/Keyboard
Authentication), DepartmentID Authentication,
Access Management System

Optional: My Print Anywhere secure print (Requires
uniFLOW), uniFLOW Online Express Cloud based
management software

Data

Standard: Trusted Platform Module (TPM), Hard Disk
Password Lock, Hard Disk Drive Erase, Mail Box
Password Protection, Hard Disk Drive
Encryption (FIPS140-2 Validated)

Optional : IEEE 2600.2 Common Criteria Certification, Data
Loss Prevention (Requires uniFLOW and iWSAM
Express)

Network

Standard : IP/Mac Address Filtering, IPSEC, TLS Encrypted
Communication, SNMP v3.0, IEEE 802.1X,
IPv6, SMTP Authentication, POP Authentication
before SMTP, S/MIME

Document

Standard : Secure Print, Adobe LiveCycle® Rights
Management ES2.5 Integration, Encrypted PDF,
Encrypted Secure Print, Device signatures, Secure
Watermarks

Optional : User signature, Document Scan Lock

Environmental Specifications

Operating Environment

Temperature: 10 to 30 °C

Humidity: 20 to 80 % RH (Relative Humidity)

Power Requirements

220-240V(±10%), 50/60Hz (±2 Hz), 3.9Amp

Power Consumption

Maximum: 1,500W

Standby: Approx. 40.3 W^{*1}

Sleep mode: Approx. 0.8 W^{*2}

*1 Reference Value (measured one unit)

*2 0.8W sleep mode is not available in all circumstances due to certain
settings.

Consumables

Toner NPG-76 TONER BK/C/M/Y

Toner Yield (Estimated Yield @5% Coverage)
NPG-76 Toner BK : 23,000 pages
NPG-76 Toner C/M/Y : 18,000 pages

Software and Printer Management

Tracking and Reporting

Universal Login Manager (ULM): Manage your costs easily by using the embedded reporting capability to identify and control costs on a user-based level by device.

uniFLOW Online Express: Combining with ULM you can gain further control, highlight expenditures per users/department and pinpoint where costs can be scaled down from a central cloud based location.

Remote management tools

iW Management Console: Server-based software for centralised management of a fleet of devices (includes monitoring of consumables, status monitoring and alerts, distribution of address books, configuration settings, firmware and MEAP applications, meter capture and reporting, driver and resource management)

eMaintenance: Compatible with eMaintenance services via embedded RDS (Enables meter capture, automatic consumables management, remote diagnostics and reporting for service providers to offer efficient, fast and proactive maintenance)

Content Delivery System: Allows the Remote distribution of firmware, iR options and MEAP applications; Remote User Interface (RUI) Web-based interface to each device that helps to provide remote device management and control.

Scanning software

Network ScanGear: TWAIN-compliant scanner driver that enables computers on a network to use the pull scan functionality of the device.

Optimisation Tools

Canon Driver Configuration Tool: A utility for changing the factory default settings of Canon print drivers

NetSpot Device Installer: Simple utility software that allows you to make network protocol settings for Canon devices connected to your network.

Platform

MEAP (Multifunctional Embedded Application Platform): A powerful JAVA Embedded Platform for Canon devices which provides tight coupling between a range of software solutions and the device.

MEAP Web: Web service alternative to MEAP that allows MFP applications to be developed and deployed via web services

Paper Supply Options

CASSETTE MODULE-AJ1

Paper Capacity : 550 Sheets (80gsm)
Paper Size : A4, A5, B5, and Custom Size (98.0 mm x 190.5 mm to 216.0 mm x 355.6 mm)
Paper Type : Thin, Plain, Thick, Colour, Recycled, Pre-punched, Bond
Paper Weight : 60 to 163 gsm
Power Source : From the Main Unit
Dimensions (WxDxH) : 511 mm x 508 mm x 425 mm
Weight : Approx. 16 kg

CASSETTE FEEDING UNIT-AK1

Paper Capacity : 550 sheets x 3 (80 gsm)
Paper Size : A4, A5, B5, and Custom Size (98.0 x 190.5 mm to 216.0 mm x 355.6 mm)
Paper Type : Thin, Plain, Thick, Colour, Recycled, Pre-punched, Bond
Paper Weight : 60 to 163 gsm
Power Source : From the Main Unit
Dimensions (WxDxH) : 511 mm x 508 mm x 425 mm
Weight : Approx. 19 kg

CASSETTE MODULE-AE1

Paper Capacity : 550 Sheets (80 gsm)
Paper Size : A4, A5, B5, and Custom Size (98.0 mm x 190.5 mm to 216.0 mm x 355.6 mm)
Paper Type : Thin, Plain, Thick, Colour, Recycled, Pre-punched, Bond
Paper Weight : 60 to 163 gsm
Power Source : From the Main Unit
Dimensions (W x D x H) : 511 mm x 508 mm x 159 mm
Weight : Approx. 10 kg

Hardware Accessories

Card Readers

IC CARD READER BOX-D1
IC CARD READER ATTACHMENT-A1
COPY CARD READER-F1
COPY CARD READER ATTACHMENT-B5

Security Options

Document Security
DOCUMENT SCAN LOCK KIT-B2

System and Controller Options

Print Accessories
PCL INTERNATIONAL FONT SET-A1
PCL ASIAN FONT SET-A1

Send Options

UNIVERSAL SEND ADVANCED FEATURE SET-H1 (TRACE & SMOOTH PDF, SEARCHABLE PDF/XPS, OFFICE OPEN XML)
UNIVERSAL SEND DIGITAL USER SIGNATURE KIT-C1

System Accessories

SERIAL INTERFACE KIT-K3
COPY CONTROL INTERFACE KIT-A1
BLE CONNECTION KIT-A1
NFC KIT-C1

Fax Accessories

SUPER G3 FAX BOARD-AT1
SUPER G3 2ND LINE FAX BOARD-AT1
REMOTE FAX-A1
IP FAX EXPANSION KIT-B1
UNIVERSAL SEND DIGITAL USER SIGNATURE KIT-C1

Other Options

Accessibility
ADF ACCESS HANDLE-A1

Consumables
STAPLE-P1



V² COLOUR



To arrange for a demonstration, simply contact any of our offices below.

SOUTH & SOUTHEAST ASIA REGIONAL HEADQUARTERS

Canon Singapore Pte. Ltd.
1 Fusionopolis Place
#15-01 Galaxis Singapore 138522

Tel: 65-6799 8888
Fax: 65-799-8882
www.canon-asia.com
www.canon.com.sg

Partner/Dealer Stamp

This document is for information purpose only and the contents are subject to change without notice. Product options, name and availability may vary by regions. Nothing in this document should be construed as a warranty. We expressly disclaim any liability or contractual obligations with respect to this document.

Canon, imageRUNNER, imageRUNNER ADVANCE, imageCHIP, RAPID Fusing System, MEAP, eMaintenance, iW, Business can be simple and get Smart get genuine are trademarks of Canon Inc. and/or its affiliates. "MEAP" is a trademark of CANON Inc., referring to an "application platform" for Canon multifunction and single function printers. Other names may be the trademarks of their respective owners. uniFLOW, eCopy and Therefore are independent party software distributed by Canon Singapore Pte Ltd.

Adobe, PostScript, PostScript 3 and the PostScript logo are trademarks of Adobe Systems Incorporated

0216W115 © 2019 Canon Singapore Pte. Ltd.
All rights reserved. Printed in Singapore.