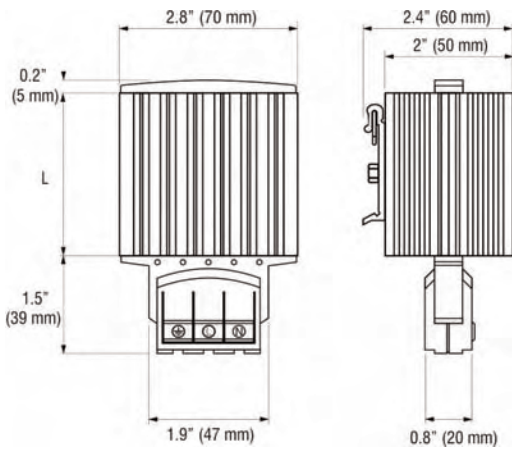
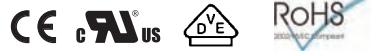




- Compact size**
- Wide voltage range**
- Heating power adjusts to ambient temperature**
- Cage clamp connectors for quick & easy wiring**
- DIN rail mountable**

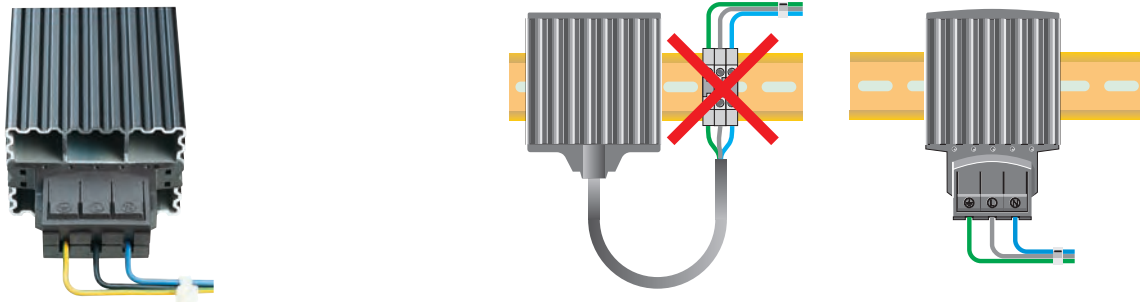
These heaters are used in enclosures where damage from condensation must be prevented, or where the temperature must be maintained above a minimum value. The aluminum profile heater body design has a chimney effect to distribute heat evenly. The cage clamp connectors save time and simplify installation.



Technical Data

Operating voltage*	AC/DC 120-240 V (min. 110 V, max. 265 V)
Heating element	PTC resistor - temperature limiting
Heater body	extruded aluminum profile, anodized
Connection	3 cage clamps for solid wire AWG 20-14 (0.5-2.5 mm ²), and stranded wire AWG 20-16 (0.5-1.5 mm ²) with wire end ferrule
Connection casing	plastic, UL 94V-0, black
Mounting	clip for 35 mm DIN rail, EN 60715
Mounting position	vertical
Operating / Storage temperature	-49 to +158 °F (-45 to +70 °C)
Protection class	I (grounded)
Protection type	IP20
Approvals	UL File No. E234324, VDE
Note	other voltages available upon request

*Operating with voltages below AC/DC 140 V reduces heating performance by approx. 10%.



Part No.	Heating capacity ¹⁾	Max. current (inrush)	Length (L on dim. dwg.)	Weight (approx.)
14000.0-00	15 W	1.5 A	2.56" (65 mm)	7.6 oz. (215 g)
14001.0-00	30 W	3.0 A	2.56" (65 mm)	7.6 oz. (215 g)
14003.0-00	45 W	3.5 A	2.56" (65 mm)	7.6 oz. (215 g)
14005.0-00	60 W	2.5 A	5.5" (140 mm)	14.1 oz. (400 g)
14006.0-00	75 W	4.0 A	5.5" (140 mm)	14.3 oz. (405 g)
14007.0-00	100 W	4.5 A	5.5" (140 mm)	14.3 oz. (405 g)
14008.0-00	150 W	9.0 A	8.66" (220 mm)	21.3 oz. (600 g)

¹⁾ at 68 °F (20 °C) ambient temperature

Specifications are subject to change without notice. Suitability of this product for its intended use and any associated risks must be determined by the end customer/ buyer in its final application.