



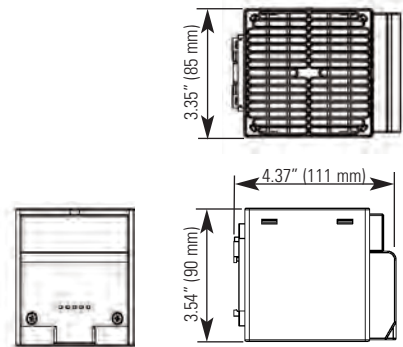
- Compact size**
- Quiet operation**
- Heating power adjusts to ambient temperature**
- DIN rail or screw mount available**

The CSL 028 fan heater prevents formation of condensation and provides an evenly distributed interior air temperature in enclosures. The heater is connected using the internal terminal connectors. The surface temperatures on the accessible side surfaces of the housing are minimized as a result of the heater design. The CSL 028's small size make it ideal for use in enclosures where space is at a premium.

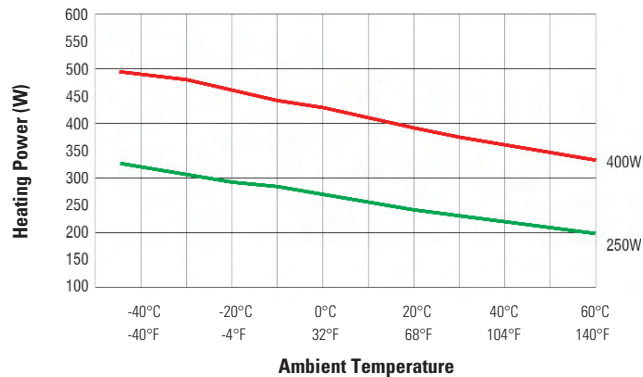
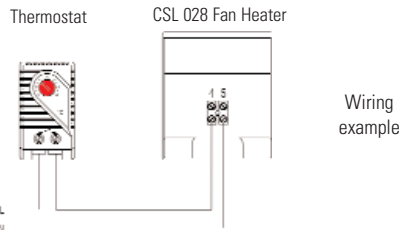
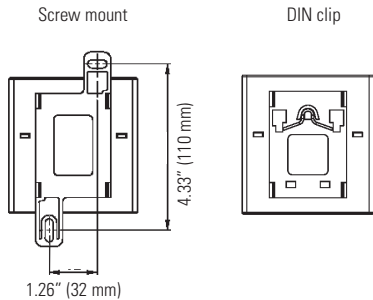


Technical Data

| | |
|--|---|
| Heating element | PTC resistor - temperature limiting |
| Surface temperature | 250 W: max. 122 °F (50 °C) except upper protective grill, 400 W: max. 149 °F (65 °C) except upper protective grill; measured at 68 °F (20 °C) ambient temperature |
| Axial fan, ball bearing | service life 40,000 h at 104 °F (40 °C) |
| Air flow, free blowing | 32 cfm (54 m³/h) at AC 120 V; 26 cfm (45 m³/h) at AC 230 V |
| Connection | 2-pole terminal AWG 14 max. (2.5 mm²) with strain relief, screw torque 0.8 Nm max. |
| Mounting | screw mount or clip for 35 mm DIN rail, EN 60715 |
| Housing | plastic, UL 94V-0, black |
| Weight | approx. 17.6 oz. (500 g) |
| Mounting position | vertical |
| Operating / Storage temperature | -49 to +158 °F (-45 to +70 °C) |
| Protection class | II (double insulated) |
| Protection type | IP20 |



View: back side



| Part No. | Heating capacity ¹⁾ | Operating voltage | Max. current (inrush) | Dimensions | Mounting |
|------------|--------------------------------|--------------------|-----------------------|---|-------------|
| 02810.0-00 | 400 W | AC 230 V, 50/60 Hz | 15 A | 3.54 x 3.35 x 4.37" (90 x 65 x 111 mm) | DIN clip |
| 02810.0-01 | 400 W | AC 230 V, 50/60 Hz | 15 A | 5.08 x 3.35 x 4.37" (129 x 65 x 111 mm) | Screw mount |
| 02810.9-00 | 400 W | AC 120 V, 50/60 Hz | 9 A | 3.54 x 3.35 x 4.37" (90 x 65 x 111 mm) | DIN clip |
| 02810.9-01 | 400 W | AC 120 V, 50/60 Hz | 9 A | 5.08 x 3.35 x 4.37" (129 x 65 x 111 mm) | Screw mount |
| 02811.0-00 | 250 W | AC 230 V, 50/60 Hz | 9 A | 3.54 x 3.35 x 4.37" (90 x 65 x 111 mm) | DIN clip |
| 02811.0-01 | 250 W | AC 230 V, 50/60 Hz | 9 A | 5.08 x 3.35 x 4.37" (129 x 65 x 111 mm) | Screw mount |
| 02811.9-00 | 250 W | AC 120 V, 50/60 Hz | 6 A | 3.54 x 3.35 x 4.37" (90 x 65 x 111 mm) | DIN clip |
| 02811.9-01 | 250 W | AC 120 V, 50/60 Hz | 6 A | 5.08 x 3.35 x 4.37" (129 x 65 x 111 mm) | Screw mount |

¹⁾ at 68°F (20°C) ambient temperature

Specifications are subject to change without notice. Suitability of this product for its intended use and any associated risks must be determined by the end customer/ buyer in its final application.