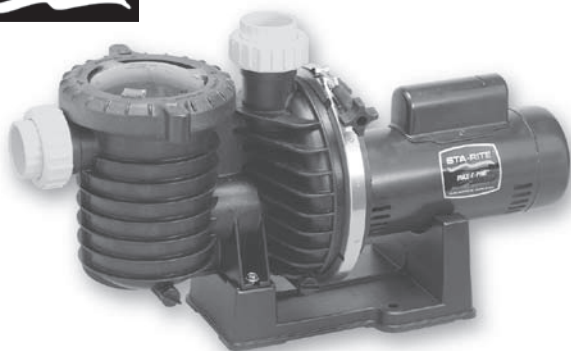


Max-E-Pro™ Pumps

High-Efficiency Pool/Spa Pumps



Max-E-Pro High-Efficiency Pool/Spa Pump

Featured Highlights

- Typical Installation – Inground pools, pool/spa combinations, inground spas, fountains and water features
- Self-priming – Suction lift up to 15' above water level
- Easy-to-Install – 2" ports include external and internal threads for more plumbing options
- Superior Hydraulic Design – Moves larger volumes of water, resulting in lower operating costs
- Impeller Manufactured With Noryl® – Withstands the toughest water environments
- Viton Shaft Seal – Longer-lasting seal stands up to the harshest environments
- Self-lubricating Lid O-ring – Does not require lubricant

P6 & 5P6R SERIES – High efficiency, low maintenance and maximum performance – all the features demanded by today's pool professionals. The Max-E-Pro has our new Quick-Lock™ trap cover ring and the 2" ports incorporate internal and external threads. Available in single- and two-speed models, with ratings from 1/2 to 3 HP. Built with quality construction using a durable one-piece pump housing constructed of Dura-Glas™ – Sta-Rite's industry leading glass-reinforced composite resin. Fast cleaning with a new Quick-Lock trap cover ring permits fast access to strainer basket. Large "see-thru" lid makes it simple to check for debris. A strong, sturdy, specially-designed base dampens sound and vibration, making the Max-E-Pro one of the quietest pumps in its class.

Ordering Information

Product	Voltage	Full Load Amps	HP	SF	SFHP	Primary Listings and Certifications ³	Port Size (NPT)	Carton Wt (Lbs)	Curve Key
ENERGY EFFICIENT SINGLE SPEED FULL RATED									
P6E6C-204L	115/230	11/5.5	1/2	1.90	0.95	UL ¹ , NSF ²	2" X 2"	46	C
P6E6D-205L	115/230	13.8/6.9	3/4	1.65	1.25	UL ¹ , NSF ²	2" X 2"	47	D
P6E6E-206L	115/230	16/8	1	1.65	1.65	UL ¹ , NSF ²	2" X 2"	49	E
P6E6F-207L	230	10.4	1 1/2	1.47	2.20	UL ¹ , NSF ²	2" X 2"	55	F
P6E6G-208L	230	11.2	2	1.30	2.60	UL ¹ , NSF ²	2" X 2"	57	G
P6E6H-209L	230	15.0	3	1.15	3.45	UL ¹ , NSF ²	2" X 2"	62	H
ENERGY EFFICIENT SINGLE SPEED UP RATED									
P6EA6E-205L	115/230	13.8/6.9	1	1.25	1.25	UL ¹ , NSF ²	2" X 2"	46	D
P6EA6F-206L	115/230	16/8	1-1/2	1.10	1.65	UL ¹ , NSF ²	2" X 2"	48	E
P6EAA6F-216L	230	10.4	1-3/4	1.25	1.93	UL ¹ , NSF ²	2" X 2"	54	F
P6EA6G-207L	230	10.4	2	1.10	2.20	UL ¹ , NSF ²	2" X 2"	54	F
P6EAA6G-208L	230	11.2	2-1/2	1.00	2.50	UL ¹ , NSF ²	2" X 2"	57	G
STANDARD EFFICIENCY SINGLE SPEED FULL RATED									
P6R6D-205L	115/230	15.3/7.6	3/4	1.65	1.25	UL ¹ , NSF ²	2" X 2"	40	D
P6R6E-206L	115/230	19.2/9.6	1	1.65	1.65	UL ¹ , NSF ²	2" X 2"	45	E
P6R6F-207L	115/230	21.0/10.5	1-1/2	1.47	2.20	UL ¹ , NSF ²	2" X 2"	51	F
P6R6G-208L	230	11.5	2	1.30	2.60	UL ¹ , NSF ²	2" X 2"	53	G
P6R6H-209L	230	14.1	3	1.15	3.45	UL ¹ , NSF ²	2" X 2"	58	H
STANDARD EFFICIENCY SINGLE SPEED UP RATED									
P6RA6E-205L	115/230	15.3/7.6	1	1.25	1.25	UL ¹ , NSF ²	2" X 2"	40	D
P6RA6F-206L	115/230	19.2/9.6	1-1/2	1.10	1.65	UL ¹ , NSF ²	2" X 2"	45	E
P6RAA6F-216L	230	12.0	1-3/4	1.25	1.93	UL ¹ , NSF ²	2" X 2"	50	F
P6RA6G-207L	230	12.0	2	1.10	2.20	UL ¹ , NSF ²	2" X 2"	51	F

Max-E-Pro™ Pumps (Cont'd)

High-Efficiency Pool/Spa Pumps

Ordering Information

Product	Voltage	Full Load Amps	HP	SF	SFHP	Primary Listings and Certifications ³	Port Size (NTP)	Carton Wt (Lbs)	Curve Key	
ENERGY EFFICIENT SINGLE SPEED FULL RATED 3-PHASE										
P6R6C3-204	208-230/460	3.2-3.0/1.5	1/2	1.9	0.95	NSF ²	2" X 2"	38	C	
P6R6D3-205	208-230/460	3.8-3.6/1.8	3/4	1.65	1.25	NSF ²	2" X 2"	39	D	
P6R6E3-206	208-230/460	5.0-4.6/2.3	1	1.65	1.65	NSF ²	2" X 2"	41	N	
P6R6F3-207	208-230/460	6.4-5.8/2.9	1-1/2	1.47	2.20	NSF ²	2" X 2"	48	F	
P6R6G3-208	208-230/460	7.1-6.8/3.4	2	1.30	2.60	NSF ²	2" X 2"	50	G	
P6R6H3-209	208-230/460	11.0-10.4/5.2	3	1.15	3.45	NSF ²	2" X 2"	59	H	
SINGLE SPEED FULL RATED FOR LOW VOLTAGE APPLICATIONS- 3 PHASE										
P6R62D3-186	200-400	3.8/1.9	3/4	1.65	1.25	NSF ²	2" X 2"	42	D	
P6R62E3-187	200-400	5.2/2.6	1	1.65	1.65	NSF ²	2" X 2"	48	N	
P6R62E3-188	200-400	7.6/3.8	1-1/2	1.47	2.20	NSF ²	2" X 2"	50	F	
P6R62E3-189	200	9.8	2	1.30	2.60	NSF ²	2" X 2"	52	G	
SINGLE SPEED FULL RATED FOR LOW VOLTAGE APPLICATIONS- 3 PHASE										
P6EA6D36-204	575	1.2	3/4	1.50	1.12	NSF ²	2" X 2"	39	D	
P6EA6E36-205	575	1.5	1	1.40	1.40	NSF ²	2" X 2"	41	N	
P6EA6F36-206	575	1.9	1-1/2	1.10	1.65	NSF ²	2" X 2"	48	F	
P6EA6G36-207	575	3.2	2	1.00	2.00	NSF ²	2" X 2"	50	G	
P6EA6H36-209	575	3.9	3	1.15	3.45	NSF ²	2" X 2"	59	H	
ENERGY EFFICIENT TWO SPEED 3450 RPM, LOW SPEED 1725 RPM UP RATED										
P6RA6YF-206L	230	9.2/2.5	1-1/2	1.10	1.65	UL ¹ , NSF ²	2" X 2"	48	A, E	
P6RA6YG-207L	230	10.1/3.7	2	1.10	2.20	UL ¹ , NSF ²	2" X 2"	49	B, F	
50 HZ ENERGY EFFICIENT SINGLE SPEED										
5P6R6D-209	115/220-240	12.2/6.1	3/4	1.65	1.25		2" X 2"	39	I	
5P6R6E-210	115/220-240	15.4/7.7	1	1.25	1.25		2" X 2"	41	J	
5P6R6F-211	115/220-240	19.4/9.7	1.5	1.10	1.65		2" X 2"	48	K	
5P6R6G-212	220-240	10.5	2	1.10	2.20		2" X 2"	50	L	
5P6R6H-213	220-240	13.9	3	1.00	3.00		2" X 2"	59	M	
50 HZ ENERGY EFFICIENT SINGLE SPEED- 3 PHASE										
5P6R6D3-209	220-240/380-415	3.6/2.1	3/4	1.27	.95		2" X 2"	38	I	
5P6R6E3-210	220-240/380-415	4.0/2.3	1	1.25	1.25		2" X 2"	40	J	
5P6R6F3-211	220-240/380-415	5.15/3.0	1-1/2	1.10	1.65		2" X 2"	47	K	
5P6R6G3-212	220-240/380-415	6.6/3.8	2	1.10	2.20		2" X 2"	49	L	
5P6R6H3-213	220-240/380-415	8.0/4.7	3	1.00	3.00		2" X 2"	58	M	
ACCESSORIES										
77703-0100	2" Union Half X 1-1/2" FPT - Package Of Two								I	
77703-0101	2" Union Half X 1-1/2" Slip - Package Of Two								I	
PKG 188	2" Union Half X 2" Slip - Package Of Two								I	
PKG 189	2" Union Half X 2" FPT - Package Of Two								I	

¹'UL' indicates that pump bears a specific UL mark signifying evaluation to U.S. Standards UL1081 for Permanently Connected Swimming Pool and Spa Pumps and to Canadian Standards CAN/CSA C22.2 No. 108-01 Liquid Pumps For Swimming Pools And Spas. (Enclosure 3).

²'NSF' indicates that pump bears a NSF mark signifying evaluation to NSF Standard 50 For Self-Priming Centrifugal Pumps For Swimming Pools, Spas and Hot Tubs.

³Product may have been evaluated to other state and local regulatory standards. Listing status may change. Always confirm status with appropriate agency if in doubt.

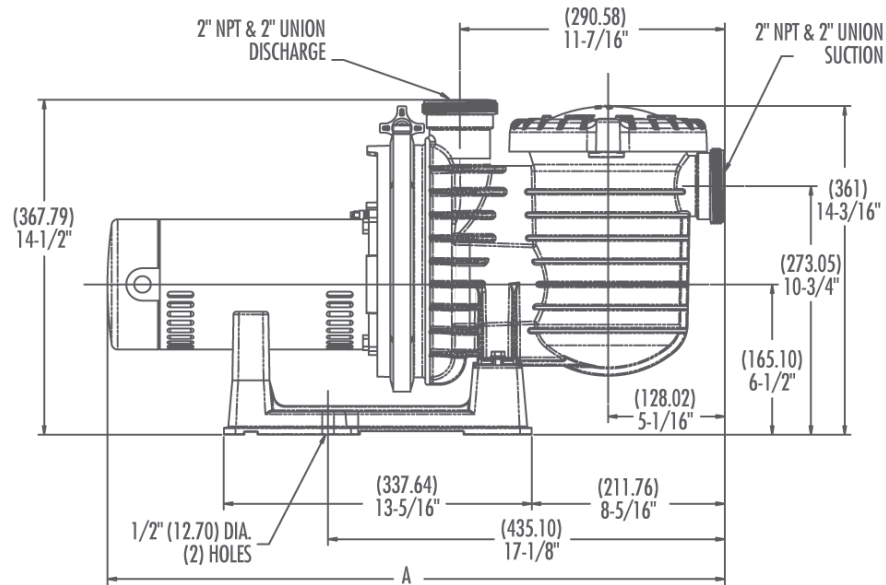
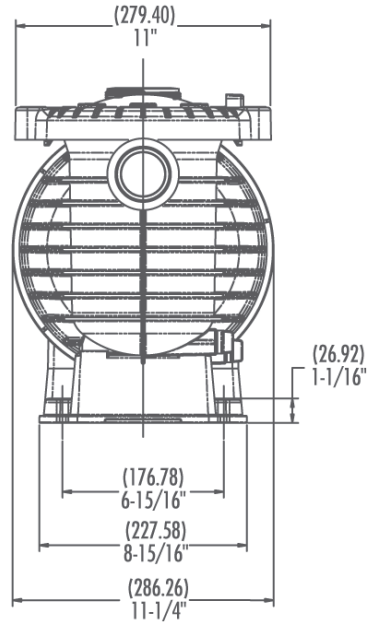
NOTE: Noryl® is a registered trademark of General Electric Co. and Viton is a registered trademark of Dupont Performance Elastomers, LLC.

See page 468-469 for replacement parts.

Max-E-Pro™ Pumps (Cont'd)

High-Efficiency Pool/Spa Pumps

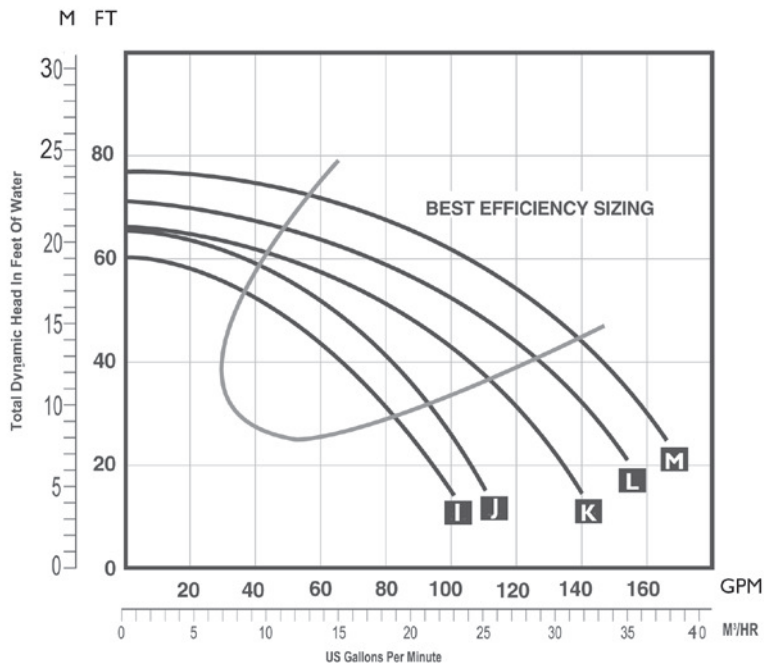
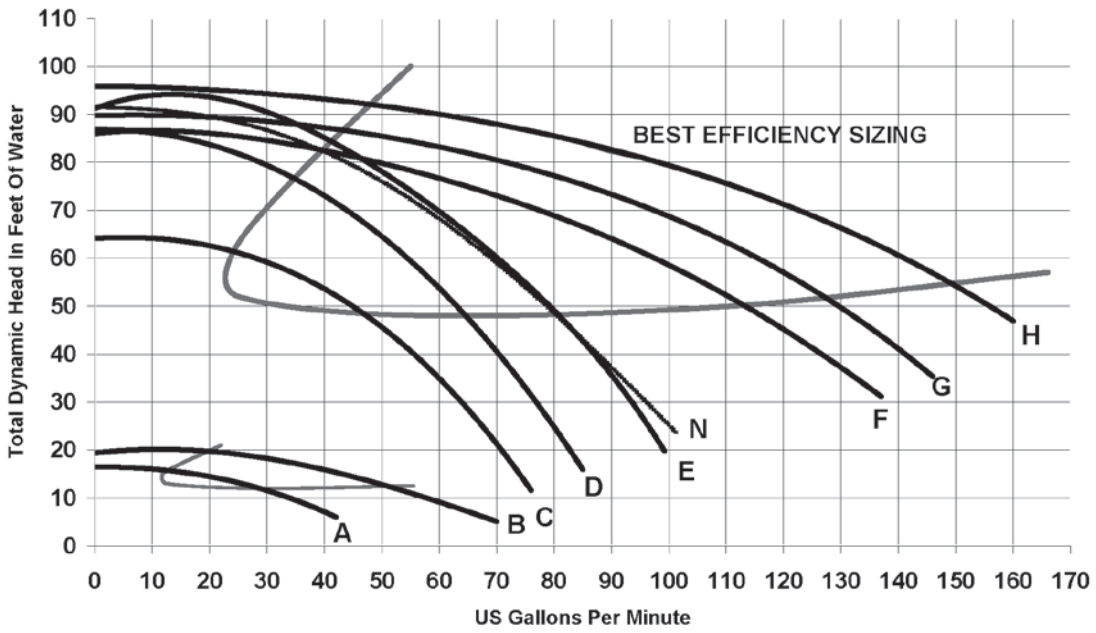
Dimensions and Performance



See page 468-469 for replacement parts.

Max-E-Pro™ Pumps (Cont'd)

High-Efficiency Pool/Spa Pumps



50 HZ Models Only