

ONGA®

BLAZEMASTER SERIES

BRIGGS & STRATTON ENGINE DRIVE PUMPS

SINGLE & TWIN IMPELLER PUMPS



B55BS



FEATURES

Lightweight high grade corrosion resistant materials.

Large pump casing with raised suction port and inbuilt non-return valve for better priming capabilities.

Computational Fluid Dynamics designed hydraulic components for higher performance and efficiency.

Strong and durable construction.

Max. head - 107m.

Max. flow - 740lpm.

APPLICATIONS

- Fire fighting.
- Tank filling.
- Water transfer.
- Irrigation and spraying.

PUMP INFORMATION

Horizontal, single-stage or twin-stage, surface mounted centrifugal pump with closed impeller/s for pumping debris free water coupled to a Briggs & Stratton Intek I/C 5HP, 6HP, 8HP or 10HP engine.

OPERATING CONDITIONS

Suitable for pumping clean non-aggressive liquids without solids or fibres in suspension.

Fluid:	Water.*
Maximum water temperature:	55°C.
Minimum water temperature:	1°C.
Maximum ambient temperature:	40°C.**
Maximum casing pressure:	1300kPa.

*For liquids outside of this range please consult your local Onga office for product suitability.

Viton seal kit available as replacement service part.

**Engine performance greatly reduced with increased ambient temperature and/or altitude, clarify with Engine Manufacturer.

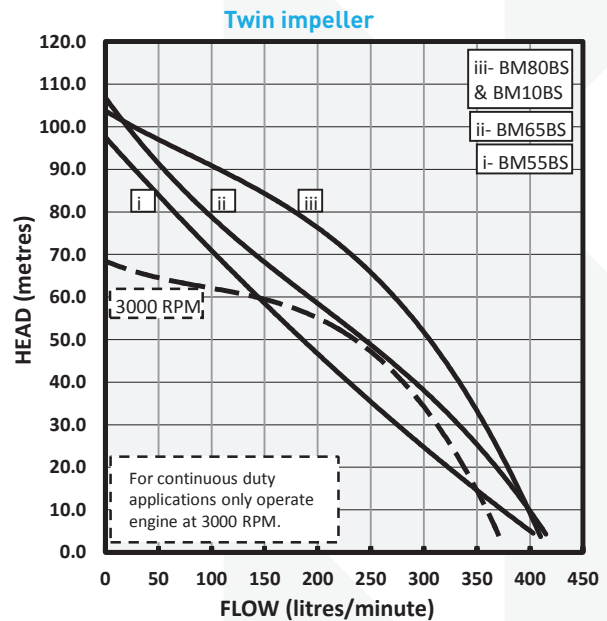
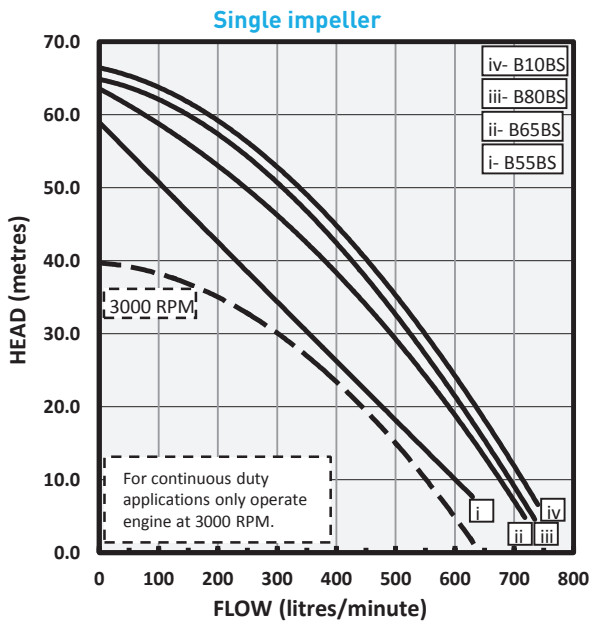
ENGINE DATA

Type	Engine	Model	Nominal HP	Displacement CC	Continuous duty	Fuel tank capacity	Fuel	Fuel consumption @ 3600 RPM	Recommended oil type	Oil capacity
B55BS	B&S	Intek I/C	5	205	3000 RPM	3 litres	Petrol	2.04 litres/hour	SAE30	0.6 litres
B65BS	B&S	Intek I/C	6	205	3000 RPM	3 litres	Petrol	2.11 litres/hour	SAE30	0.6 litres
B80BS	B&S	Intek I/C	8	305	3000 RPM	3 litres	Petrol	3.21 litres/hour	SAE30	0.83 litres
B10BS	B&S	Intek I/C	10	305	3000 RPM	3 litres	Petrol	3.63 litres/hour	SAE30	0.83 litres
BM55BS	B&S	Intek I/C	5	205	3000 RPM	3 litres	Petrol	2.04 litres/hour	SAE30	0.6 litres
BM65BS	B&S	Intek I/C	6	205	3000 RPM	3 litres	Petrol	2.11 litres/hour	SAE30	0.6 litres
BM80BS	B&S	Intek I/C	8	305	3000 RPM	3 litres	Petrol	3.21 litres/hour	SAE30	0.83 litres
BM10BS	B&S	Intek I/C	10	305	3000 RPM	3 litres	Petrol	3.63 litres/hour	SAE30	0.83 litres

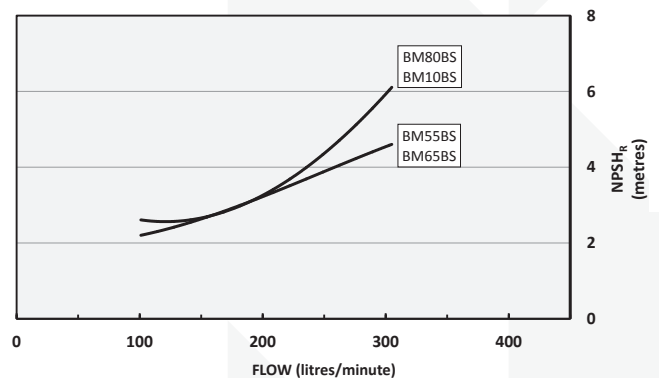
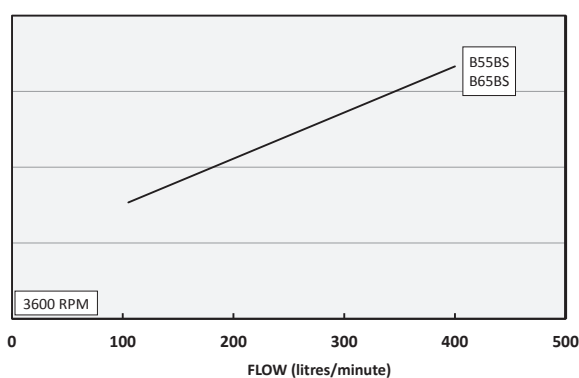
PERFORMANCE

Type	P/No	Delivery head H [m]	10	20	30	40	50	60	70	80	90	100
B55BS	B55BS	Capacity [litres per minute]	600	477	355	230	113	-	-	-	-	-
B65BS	B65BS		670	592	495	375	241	76	-	-	-	-
B80BS	B80BS		694	609	521	430	308	146	-	-	-	-
B10BS	B10BS		712	640	550	456	343	188	-	-	-	-
BM55BS	BM55BS		375	323	274	227	184	142	105	63	28	-
BM65BS	BM65BS		400	370	333	290	246	192	139	96	55	23
BM80BS	BM80BS		400	379	356	334	306	272	230	178	108	27
BM10BS	BM10BS		400	379	356	334	306	272	230	178	108	27

PERFORMANCE CURVE



NPSHR

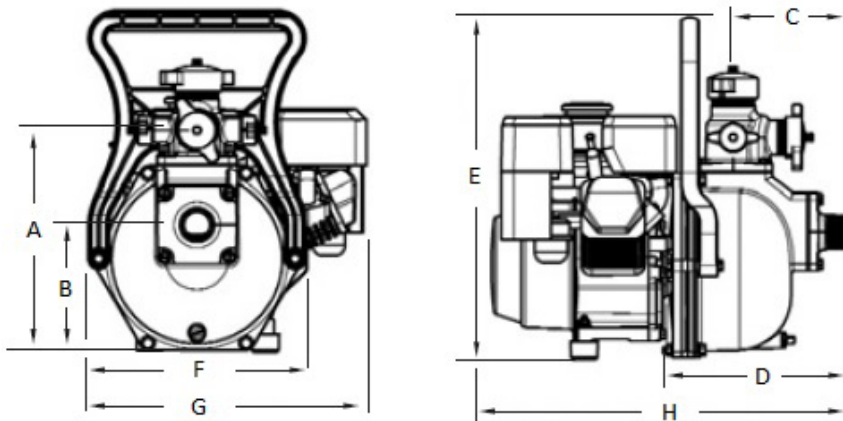


PUMP CONSTRUCTION MATERIALS

Component	Material
Pump casing	Powder coated Aluminium
Impeller/s	30% Glass Filled Nylon
Diffuser	Aluminium
Priming/discharge caps	Glass Filled Nylon
Seal flexible bellows	Nitrile
Seal stationary face	Ceramic
Seal rotating face	Carbon
Seal spring	Stainless Steel
Motor shaft	Mild Steel
O'Rings	Nitrile

DIMENSIONS

Type	Inlet	Outlets	Carton L x W x H	Packed weight
B55BS	1½" BSP (male)	1", 1", 1½" BSP (male)	620 x 465 x 550 mm	29 kg
B65BS	2" BSP (male)	1", 1", 2" BSP (male)	620 x 465 x 550 mm	29 kg
B80BS	2" BSP (male)	1", 1", 2" BSP (male)	640 x 560 x 550 mm	40 kg
B10BS	2" BSP (male)	1", 1", 2" BSP (male)	-	-
BM55BS	1½" BSP (male)	1", 1", 1½" BSP (male)	620 x 490 x 560 mm	30 kg
BM65BS	2" BSP (male)	1", 1", 2" BSP (male)	620 x 490 x 560 mm	30 kg
BM80BS	2" BSP (male)	1", 1", 2" BSP (male)	660 x 560 x 550 mm	42 kg
BM10BSE	2" BSP (male)	1", 1", 2" BSP (male)	-	-



Type	A (mm)	B (mm)	C (mm)	D (mm)	E (mm)	F (mm)	G (mm)	H (mm)
B55BS	320	186	166	253	481	392	304	505
B65BS	322	188	166	253	483	396	304	514
B80BS	323	189	166	253	443	424	287	584
B10BS	316	182	166	271	484	-	-	-
BM55BS	320	186	166	253	481	392	304	505
BM65BS	322	188	166	253	483	396	304	514
BM80BS	323	189	166	253	443	424	287	584
BM10BS	316	182	166	253	484	-	-	-



Head Office Pentair AU/NZ: 1-21 Monash Drive, Dandenong South, VIC 3175, Australia. www.pentair.com.au

All Pentair trademarks and logos are owned by Pentair, Ltd. All other brand or product names are trademarks or registered marks of their respective owners. Because we are continuously improving our products and services, Pentair reserves the right to change specifications without prior notice.

Pentair is an equal opportunity employer.

ABN 27 004 856 204 © 2012 Pentair, Ltd. All Rights Reserved.

© 2015 Pentair