

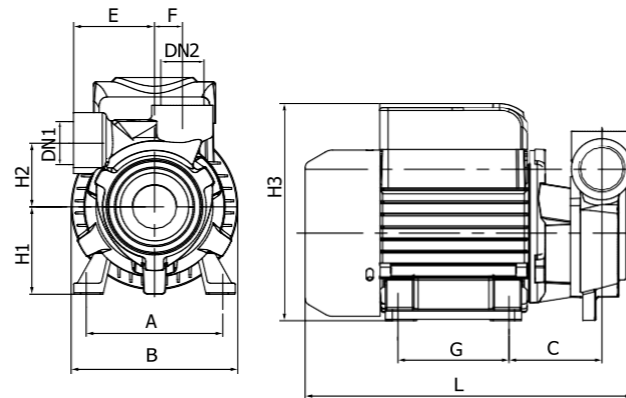
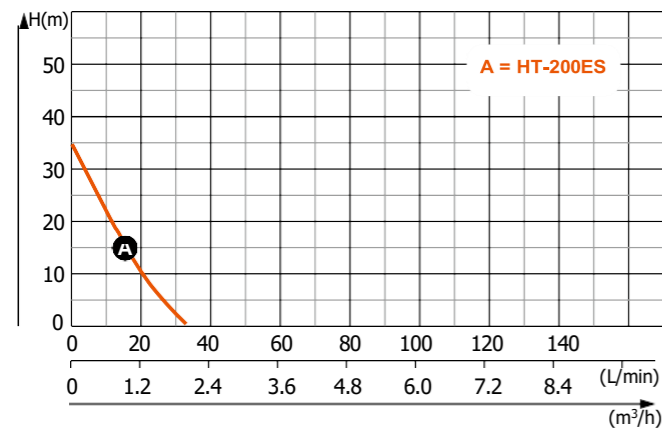
**Model**  
**HT-200ES**  
PERIPHERAL PUMP SERIES



**APPLICATION FIELDS**

- House water supply.
- Handling clean water. Garden irrigation.
- Breeding industry water.
- Other special applications

**PERFORMANCE CURVES**



**TECHNICAL DATA**

Model	Power		Voltage	Discharge head in metres ( For kPa*10)							PIPE	
	HP	KW		5	10	15	20	25	30	35		40
HT-200ES	0.55	0.4	230	27	20	16	12	7	3			1"×1"

**DIMENSION**

Model	Dim(mm)										DN1 (Inch)	DN2 (Inch)
	A	B	C	E	F	G	L	H1	H2	H3		
HT-200ES	98	116	67	58	20	80	235	63	46	156	1	1

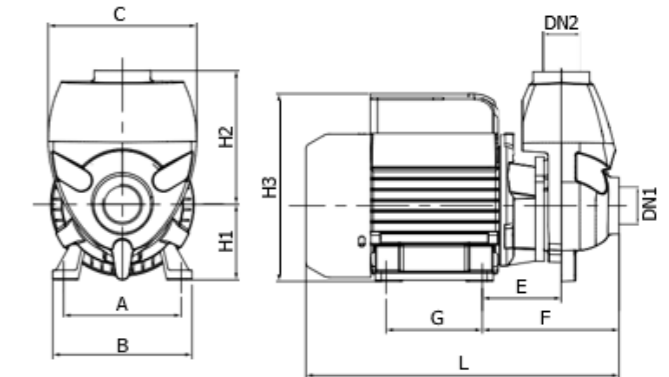
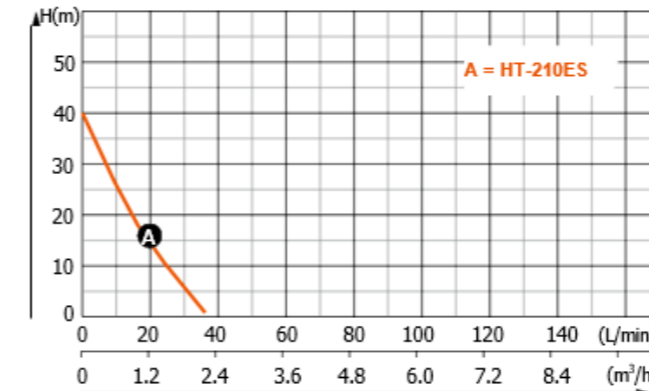
**Model**  
**HT-210ES**  
CENTRIFUGAL PUMP SERIES



**APPLICATION FIELDS**

- House water supply.
- Handling clean water. Garden irrigation.
- Breeding industry water.

**PERFORMANCE CURVES**



**TECHNICAL DATA**

Model	Power		Voltage	Discharge head in metres ( For kPa*10)							PIPE	
	HP	KW		5	10	15	20	25	30	35		40
HT-210ES	0.68	0.5	230	30	25	21	16	11	8			1"×1"

**DIMENSION**

Model	Dim(mm)										DN1 (Inch)	DN2 (Inch)
	A	B	C	E	F	G	L	H1	H2	H3		
HT-210ES	98	116	124	65	114	80	261	63	112	156	1	1