



Certified to NSF/ANSI 61

WHERE QUALITY COMES FIRST



Stainless steel side connection allows for quicker, less expensive installation

hydro-plus well tanks

Zilmet has over 50 years of experience in manufacturing high quality diaphragm well tanks

- *Has produced over 7.5 million tanks and over 1 million heat exchangers*
- *Fully vertically integrated, designing and manufacturing all diaphragms internally*

Zilmet has created a compact design with a seamless diaphragm that never stretches or creases. There are no bubbles or corners to trap sediment, inhibiting bacterial growth

Technical features

- *Seamless NSF 61 certified low permeability butyl diaphragm never creases and channels water directly to outlet, thus eliminating bacterial growth pockets*
- *MIG welding eliminates interior rough spots and sharp edges*
- *Low profile tank design with full membrane depth eliminates stretching of diaphragm, providing increased life cycle*
- *All diaphragms made by Zilmet specifically for each tank's dimensions*
- *Powder coated finish for a longer lasting, more durable finish*
- *5 year warranty on all models*
- *The Zilmet side connection advantages:*
 - *Easier and quicker installation*
 - *Less expensive installation*
 - *Less vulnerable to corrosion at connector*

■ material description

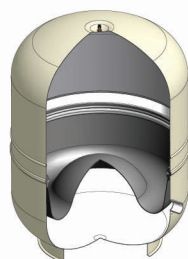
description	material
shell	carbon steel*
connection	stainless steel*
fixed membrane	butyl**
color	almond

* internally coated with powder for potable water applications

** for potable water applications

■ operating conditions

max. operating pressure	150 psi
operating temperature	210 °F
factory precharge	38 psi



technical and dimensional data

Type	Model	Capacity	Diameter	Height	Connection Height	Connection Size	Precharge	System Drawdown	
		gallons	inches (ØD)	inches(H)	inches(E)	NPT (ØC)	psi	30-50 gal	40-60 gal
Inline	ZHP5	2.1 (8L)	7.9	11.0		3/4"	38	0.7	0.5
Inline	ZHP12	4.8 (18L)	10.6	13.7		3/4"	38	1.6	1.2
Inline	ZHP18	6.3 (24L)	11.8	15.4		1"	38	2.1	1.7
Inline	ZHP104IL	9.2 (35L)	15.0	14.6		1"	38	3.1	2.4
Inline	ZHP200IL	13.2 (50L)	15.0	19.6		1"	38	4.4	3.4
Horizontal	ZHP200H	13.2 (50L)	15.0	17.2		1"	38	4.4	3.4
Stand Model	ZHP200F	13.2 (50L)	15.0	19.9	6.0	1"	38	4.4	3.4
Stand Model	ZHP202	21.1 (80L)	17.7	23.9	5.9	1"	38	7.1	5.4
Stand Model with	ZHP202BV	21.1 (80L)	17.7	24.9	5.9	1"	38	7.1	5.4
Horizontal Model with	ZHP202BH	21.1 (80L)	17.7	19.1		1"	38	7.1	5.4
Horizontal Spacemaker	ZHP202SM	21.1 (80L)	17.7	18.1		1"	38	7.1	5.4
Stand Model	ZHP203	27.7 (105L)	19.7	26.2	6.5	1 1/4"	38	9.3	7.2
Stand Model	ZHP204	39.6 (150L)	19.7	35.3	8.5	1 1/4"	38	13.2	10.2
Stand Model	ZHP250	52.8 (200L)	23.6	32.0	8.9	1 1/4"	38	15.6	13.6
Stand Model	ZHP251	66.0 (250L)	24.8	37.7	9.6	1 1/4"	38	22.0	17.1
Stand Model	ZHP302	79.3 (300L)	24.8	43.5	9.6	1 1/4"	38	23.4	20.5
Stand Model	ZHP350	105.7 (400L)	24.8	57.1	9.6	1 1/4"	38	35.2	27.3
Stand Model	ZHP400	132.1 (500L)	29.5	52.8	11.4	1 1/4"	38	39.1	34.1
Stand Model	ZHP451	158.5 (600L)	29.5	61.2	11.4	1 1/4"	38	52.8	40.9

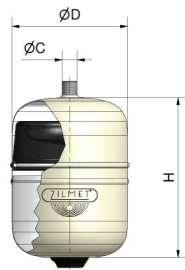
zilmets well tank sizing chart

Gallons per Minute GPM	30/50 psig		40/60 psig	
	1 min	2 min	1 min	2 min
5	ZHP202	ZHP203	ZHP202	ZHP203
10	ZHP203	ZHP203	ZHP251	ZHP302
12	ZHP250	ZHP250	ZHP302	ZHP302
15	ZHP250	ZHP251	ZHP302	ZHP350
20	ZHP251	ZHP302	ZHP350	(2) ZHP302
25	ZHP302	ZHP302	(2) ZHP 302	(2) ZHP302
30	ZHP302	ZHP350	(2) ZHP302	(2)ZHP350
35	ZHP350	ZHP350	(2)ZHP350	(2)ZHP350

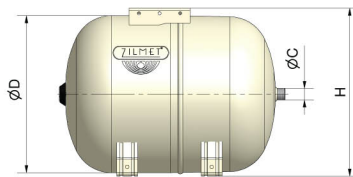
* Use this chart to properly size your well tank to prevent excessive wear and tear on your well pump and to reduce energy consumption

technical drawings

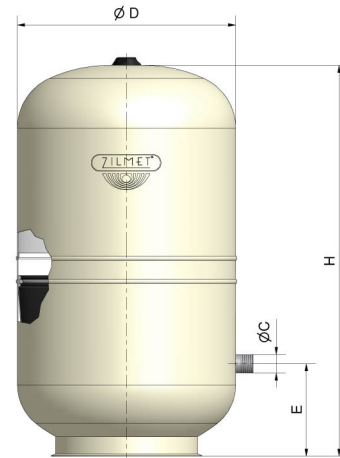
2.1-13.2 gallons
IN LINE NO BASE



13.2-21.1 gallons
HORIZONTAL MODEL W/ PUMP BRACKET



21.1-158.5 gallons
STAND MODELS WITH BASE



North American Headquarters
Zilmets USA
 400 Frenchtown Road
 East Greenwich, RI 02818
 Tel. 401 884 4349
 info@zilmetsusa.com
 www.zilmetsusa.com

Headquarters
 Via del Santo, 242 - 35010 Limena (PD) - Italy
 Tel. +39 049 7664901
 Fax +39 049 767321
 www.zilmets.it
 zilmets@zilmets.it

Production plants - Italy
 Limena (PD) Via del Santo, 242
 Via Visco, 2 • Via Colpi, 30
 Via Tamburin, 15/17
 Bagnoli di Sopra (PD) - Via V Strada, 21/23

Branches
 Zilmets Deutschland GmbH
 www.zilmets.de
 Zilmets USA
 www.zilmetsusa.com
 Zilmets UK
 www.zilmets.co.uk

