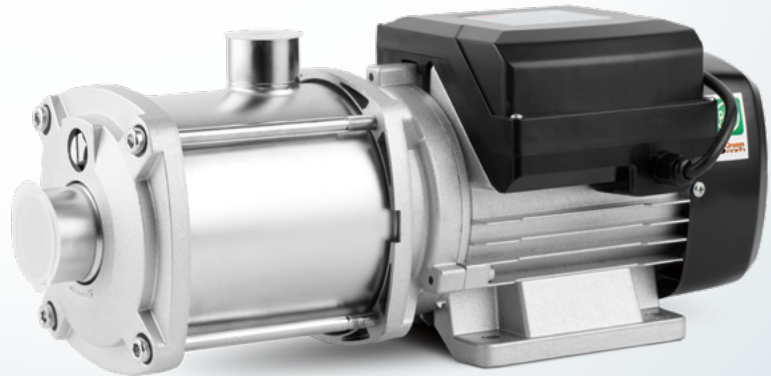


Model

# CHM-ES

## HORIZONTAL MULTISTAGE CENTRIFUGAL PUMP SERIES



### APPLICATION FIELDS

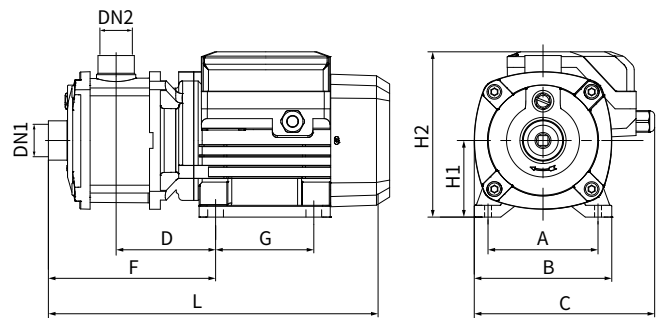
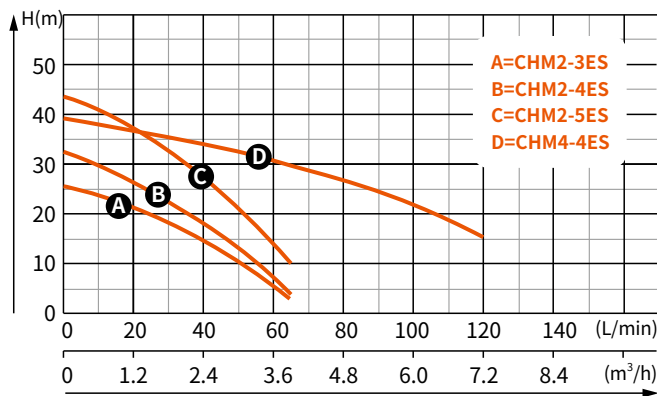
- Air conditioning system
- Filling machinery
- Water supply and pressurization system
- Cooling system
- Industrial cleaning
- Aquaculture
- Water treatment application
- Supporting use of chiller

### APPLICATIONS LIMITS

- Thin, clean, non-combustible, and non explosive liquid containing no solid particle or fiber
- Applicable to deliver tap water, alkaline mineral water, softened water or mildly-corrosive medium
- The use of a large-power motor must be

- considered when the density or viscosity of the medium delivered is higher than that of water
- Medium temperature: 0°C -70°C for normal temperature type: 0°C ~120°C for hot water type
- Ambient temperature: 0°C -+50°C

### PERFORMANCE CURVES



### TECHNICAL DATA

Model	Power		Voltage	Discharge head in metres ( For kPa*10)								PIPE	
	HP	kW		5	10	15	20	25	30	35	40		
CHM2-3ES	0.5	0.37	230	60	50	40	25						1"×1"
CHM2-4ES	0.75	0.55	230	63	56	47	35	23	10				1"×1"
CHM2-5ES	1	0.75	230		65	58	52	43	35	26	13		1"×1"
CHM4-4ES	1	0.75	230			120	100	88	63	32			1.25"×1"

### DIMENSION

Model	Dim(mm)										DN1 (Inch)	DN2 (Inch)
	A	B	C	D	E	F	G	L	H1	H2		
CHM2-3ES	98	123	165	93	125	162	100	336	75	180	1	1
CHM2-4ES	98	123	165	93	125	180	100	354	75	180	1	1
CHM2-5ES	98	123	165	93	125	198	100	372	75	180	1	1
CHM4-4ES	112	140	180	93	125	222	104	405	78	170	1.25	1