



▶▶▶ COMPACT  
CSL range  
3 - 20 HP

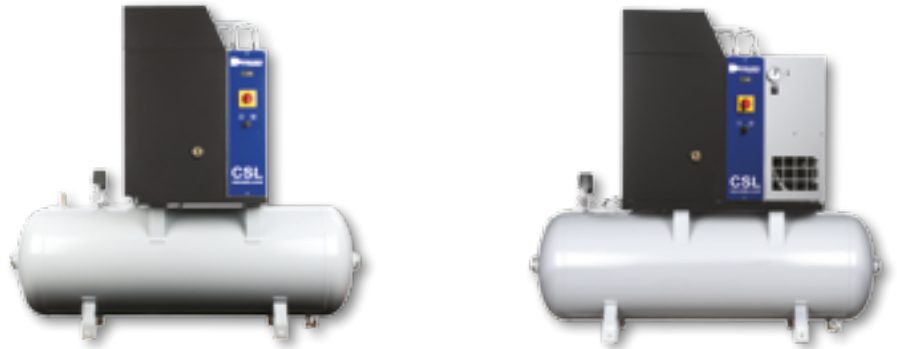
Simple and complete  
solution for your  
compressed air demand.





## COMPACT CSL Range

The CSL combines the simplicity and cost effectiveness of a piston with the durability, technology and energy efficiency of a screw compressor. For those who want the best of both worlds, the COMPACT range offers the perfect choice.



## User benefits

### The perfect performance for your needs

- High efficiency screw element
- All COMPACT screw compressors are equipped with air ends designed for continuous duty and hard working conditions
- Up to 35 % less energy consumption compared to piston technology.
- Pressure stability and no pulsations
- Low noise level
- Great reliability

### Save space and keep the benefits

- Complete and compact unit
- Small footprint
- Receiver mounted
- Integrated dryer (option)
- Optimized design

### Instinctive and easy to use

- Basic control panel (on/off and hours counter)
- Independent command for dryer
- Easy visualization of pressure inside the vessel

### Simple and low cost maintenance

- No wearing parts
- Trouble-free operation
- Easy access to all service components
- Quick access to belts, air filters and oil filters
- External oil level check
- Smart maintenance kits settled in hours to facilitate your use and no need to buy several separate components
- Long maintenance intervals to further help you decrease your costs

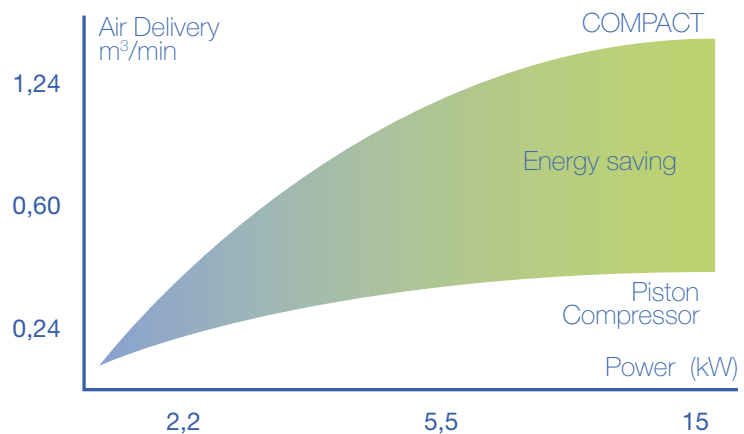
“ The COMPACT CSL range offers a simple and complete air system. ”

“ Low energy consumption thanks to the efficient screw element. ”

“ Easy to install and low maintenance costs. ”

## Energy efficiency comes with technology

The COMPACT screw compressors are up to 35% more energy efficient than an equivalent power sized Piston compressor. The COMPACT is also designed to work continuously if needed, this allows you to get 100% performance, 24 hours a day from your equipment without fearing a single failure.



## Optional and standard features

	CSL 3-10	CSL 15-20
Wooden crate packaging	✓	✓
Wheel kit	✓	✓
Refrigerant dryer	All models available with or without dryer	
Different vessel sizes	Standard: 200L & 270L	Standard: 270L & 500L

✓ = available

## SMART TECHNICAL ADVANTAGES



### CONSTANT PRESSURE

The combined and continuous action of the screw element generates air flow delivery without pulsations, which grants you the stability you need for your production process.



### LOWER SERVICE COSTS AND EXTENDED SERVICE INTERVALS

The simple and accessible arrangement, along with a smooth operation keeps service costs to the minimum. The longer service intervals mean less down time, improving efficiency.



### REDUCED POWER CONSUMPTION

Thanks to the screw technology, the COMPACT compressor consumes up to 35% less power in comparison with a traditional piston compressor.

### SIMPLE INSTALLATION

The compressor is installed on an air receiver and is ready to use. The simple automatic controls and ease of installation means that the COMPACT range can be connected very quickly and deliver high quality compressed air up to 24 hours a day.



### EASY MAINTENANCE

Only a few panels need to be removed in case of maintenance. All the components are strategically placed to facilitate all service and maintenance.

### HIGH EFFICIENCY SCREW ELEMENT

Reliability, efficiency and durability is guaranteed by a manufacturer who assembles more than 25000 screw elements every year.

# Simple and cost efficient operation and maintenance

## COMPACT CSL

### Tank Mounted

Particularly recommended for new or stand-alone installations where there is a continuous need of compressed air with low noise level compared to piston.

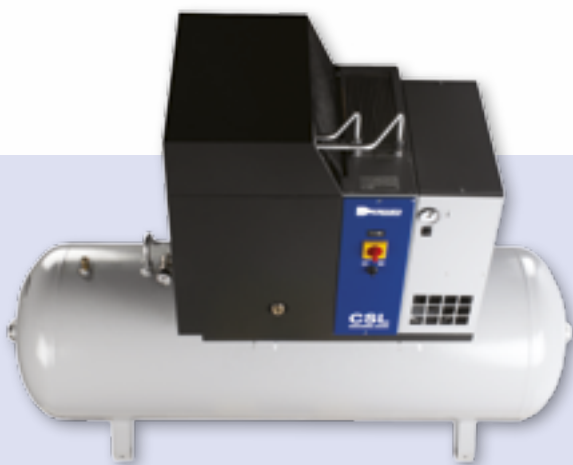
The unit consists of an electrocompressor installed on a fixed 200 - 270 litre tank up to 10 hp and 270 - 500 litre tank for 15 and 20 hp.



### Dry Version

Especially recommended for installations with compressed air demand on a low dew point.

The compression unit is made of an electrocompressor, tank and refrigerating dryer with gas R134a with indicator of the Dew Point and condensate drain.



“ Optimized design, compact and complete. ”

“ Wide power range and many pressure variants. ”

“ Plug and play. Easy to use. ”

“ A complete solution for your air demand. ”

# CSL 3 - 10HP • 2,2 - 7,5 kW

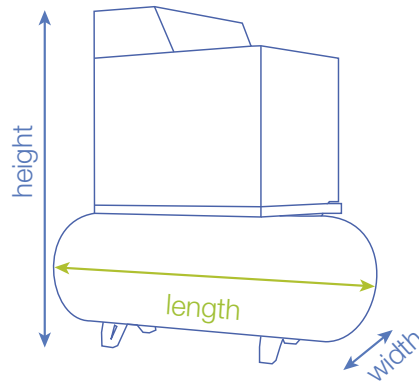


## Technical data

Model	Installed Motor Power		Capacity FAD		Working Pressure	Noise Level	Weight (KG)			
							Tank Mounted		Tank Mounted + Dryer	
	kW	hp	l/min	cfm	BAR	dB(A)	200lt	270lt	200lt	270lt
CSL 3	2,2	3	297	10	8	72	121	134	147	160
			220	8	10					
CSL 4	3	4	350	12	8	73	127	140	153	166
			280	10	10					
CSL 5.5	4	5,5	495	17	8	74	128	141	154	167
			415	15	10					
CSL 7.5	5,5	7,5	641	23	8	76	130	143	156	169
			557	20	10					
CSL 10	7,5	10	948	33	8	75	186	199	213	226
			802	28	10					

## Dimensions

Model	DIMENSIONS		
	length mm	width mm	height mm
200L 200L + dryer	1440	610	1250
270L 270L + dryer	1550	610	1320



# CSL 15 - 20HP • 11 - 15 kW

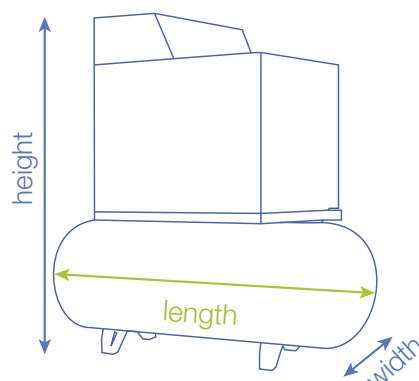
## Technical data

Model	Installed Motor Power		Capacity FAD		Working Pressure	Noise Level	Weight (KG)			
							Tank Mounted		Tank Mounted + Dryer	
	kW	hp	l/min	cfm	BAR	dB(A)	270lt	500lt	270lt	500lt
CSL 15	11	15	1408	50	8	76	245	268	245	307
			1265	45	10					
			1034	37	13*					
CSL 20	15	20	1631	58	8	78	260	283	260	322
			1473	52	10					
			1224	43	13*					

\* not available for 270 lt tank

## Dimensions

Model	DIMENSIONS		
	length mm	width mm	height mm
270L 270L + dryer	1550	610	1320
500L 500L + dryer	1935	640	1475



Oil-injected Screw  
compressors,  
belt driven  
COMPACT CSL range



- A higher final product quality and a strong **technology you can trust**
- Choosing for our high performance compressor offers you a strong **partnership**
- Our products are **simple, easy to use** and offer high **reliability**
- **Service** and aftermarket are guaranteed
- Original Parts and Services
- Dealers are always nearby and have strong **availability**



Increase your profit and improve the productivity of your company



Contact your local Ceccato representative now!

6999100210



[www.ceccato-compressors.com](http://www.ceccato-compressors.com)