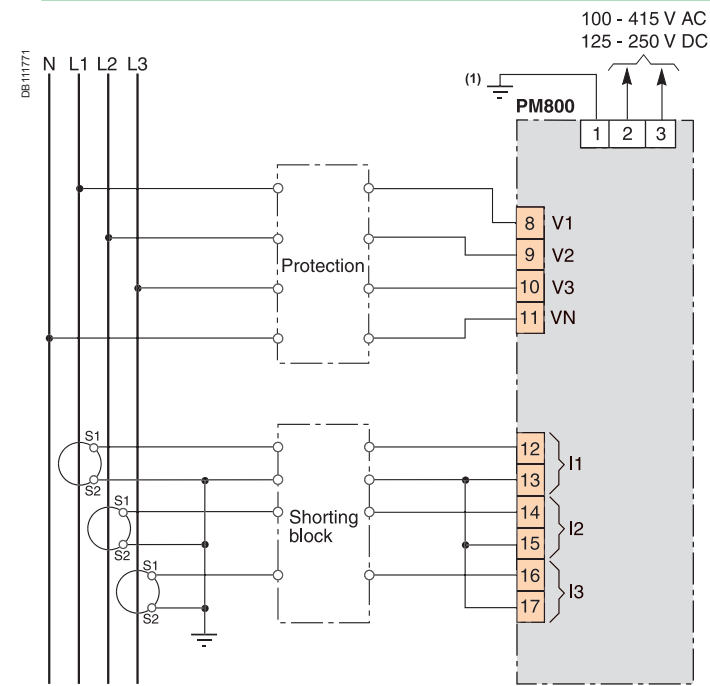


Power Meter Series 800

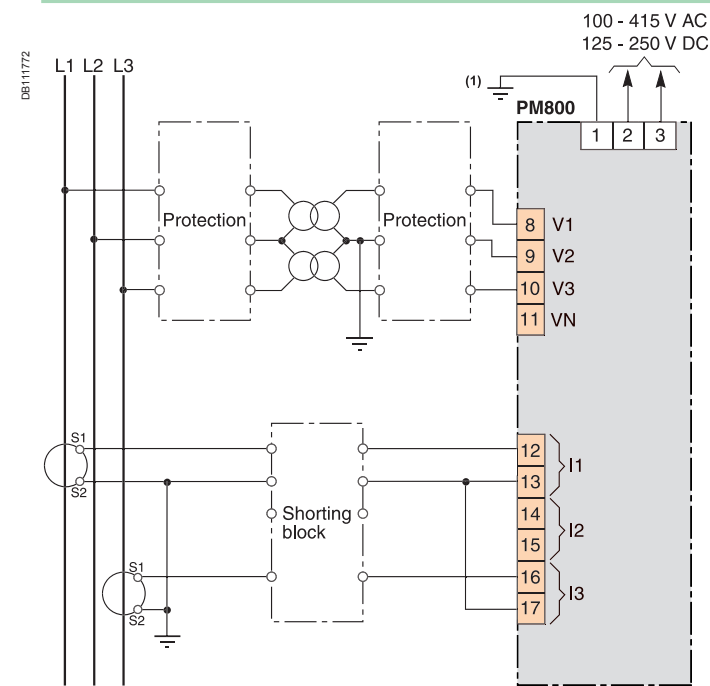
Installation and connection (cont.)

4-wire connection with 3 CTs and no PT



Connection example.

3-wire connection with 2 CTs and 2 PTs



Connection example.

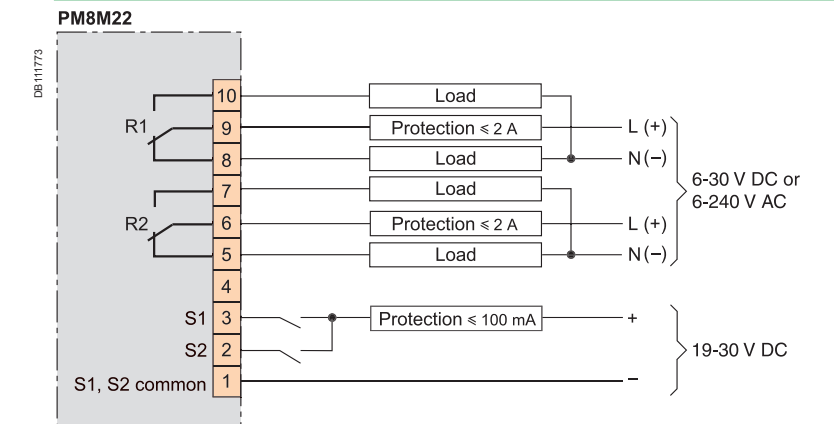
(1) Functional earth terminal.

Note: other types of connection are possible. See product documentation.

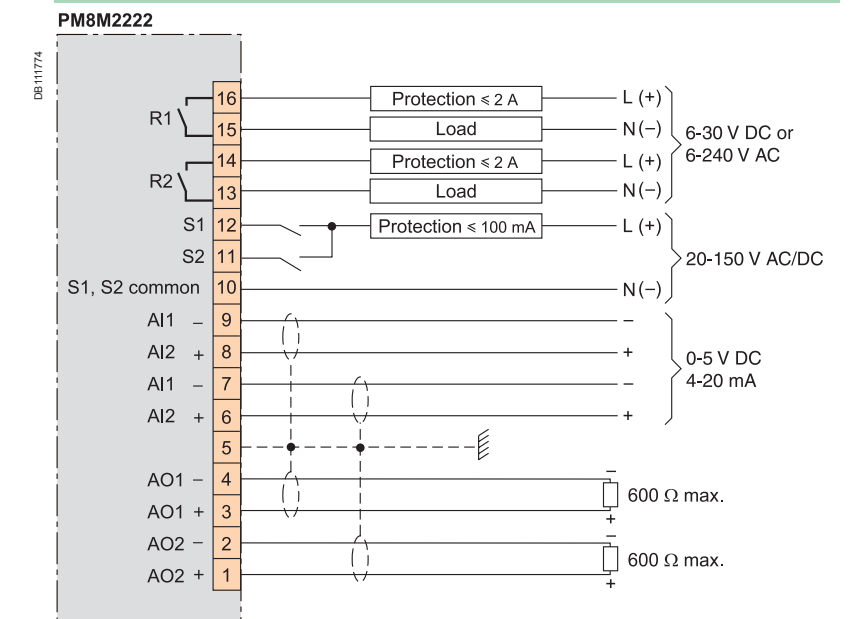
Power Meter Series 800

Installation and connection (cont.)

PM8M22 module



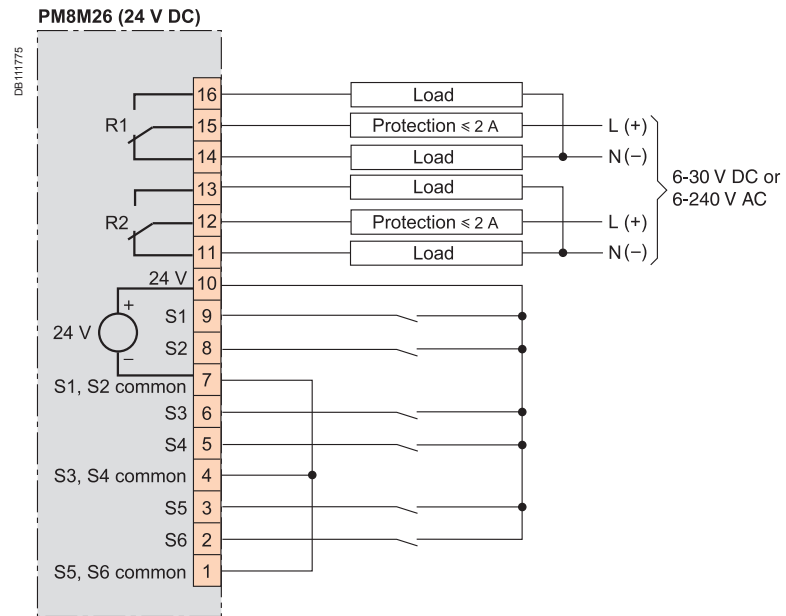
PM8M2222 module



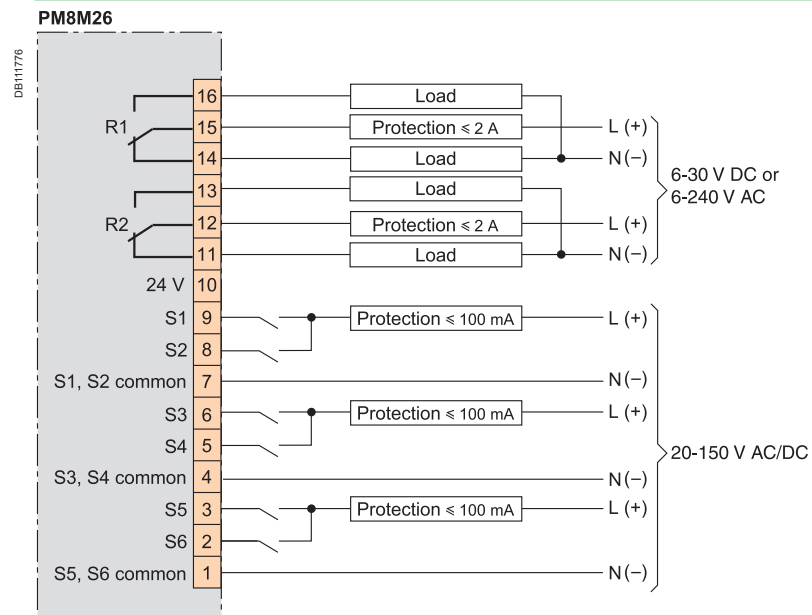
Power Meter Series 800

Installation and connection (cont.)

PM8M26 module internal 24 V DC power supply



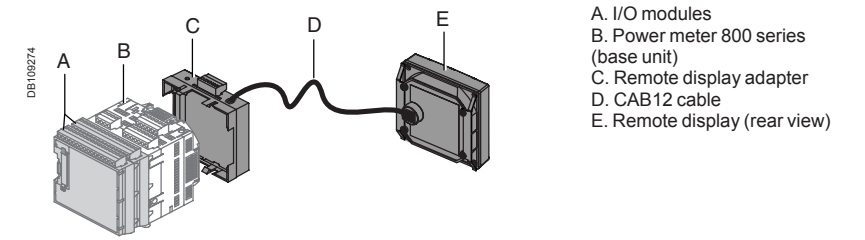
PM8M26 module external power supply



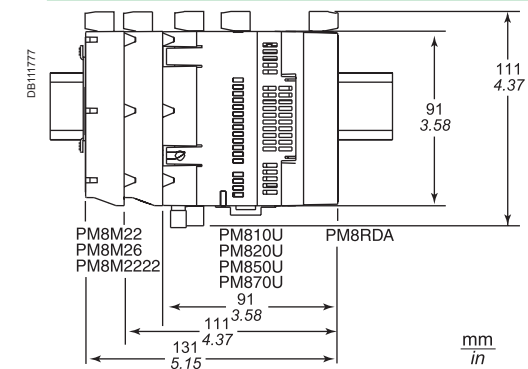
Power Meter Series 800

Installation and connection (cont.)

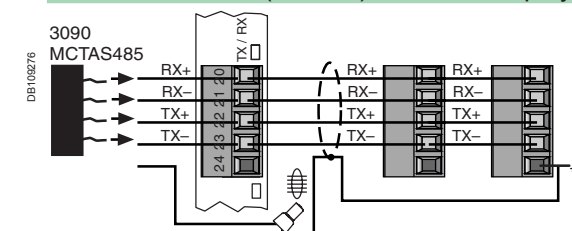
Remote display kit



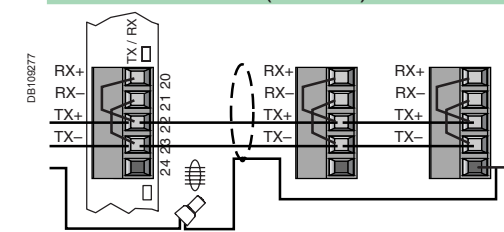
Dimension (meter with I/O and remote display adapter)



4-wire connection (RS 485) of remote display adapter



2-wire connection (RS 485) of remote display adapter



Power Meter Series 800

Installation and connection (cont.)

RS-485 wiring color codes

2-wire connections

- Belden 9841 cable:**
- (+) blue, white stripe
 - (-) white, blue stripe
 - (shield)

4-wire connections

- Belden 9843 cable:**
- (TX+) blue, white stripe
 - (TX-) white, blue stripe
 - (RX+) orange, white stripe
 - (RX-) white, orange stripe
 - (SG) green, white stripe
 - (unused) white, green stripe
 - (shield)

Belden 9842 cable:

- (TX+) blue, white stripe
- (TX-) white, blue stripe
- (RX+) orange, white stripe
- (RX-) white, orange stripe
- (shield)

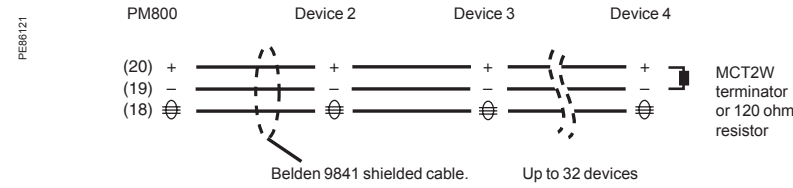
Belden 8723 cable:

- (TX+) green
- (TX-) white
- (RX+) red
- (RX-) black
- (shield)

Surge protection

For surge protection, it is recommended that the PM8ECC signal ground wire be connected directly to an external earth ground at a single point.

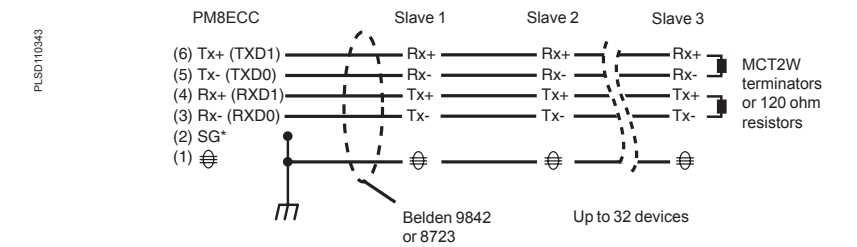
PM800 meter unit RS-485 port 2-wire daisy-chain connection



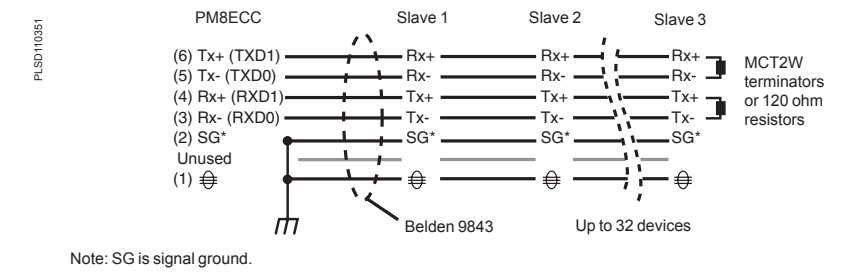
Power Meter Series 800

Installation and connection (cont.)

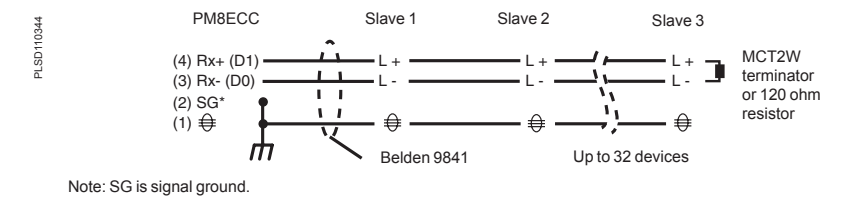
PM8ECC module RS-485 port connections for 4-wire devices that do not support separate signal ground and shield wire



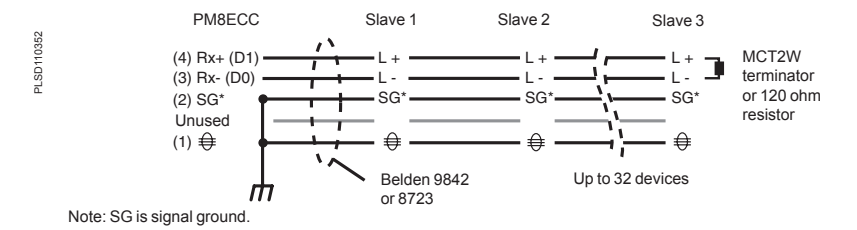
PM8ECC module RS-485 port connections for 4-wire devices that support separate signal ground and shield wire



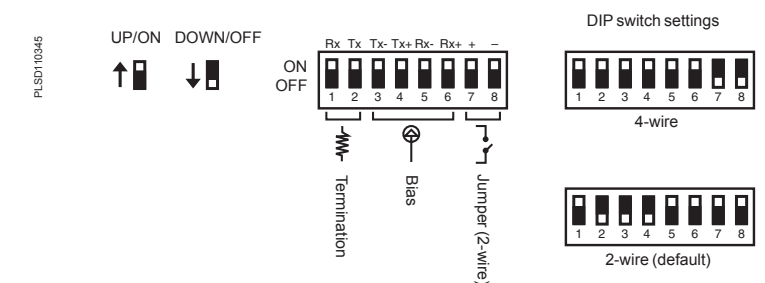
PM8ECC module RS-485 port connections for 2-wire devices that do not support separate signal ground and shield wire



PM8ECC module RS-485 port connections for 2-wire devices that support separate signal ground and shield wire



PM8ECC module RS-485 port biasing and termination





Schneider Electric Industries SAS

35 Rue Joseph Monier
CS 30323
92506 Rueil Malmaison Cedex
Tel : +33 (0)1 41 29 70 00

<http://www.powerlogic.com> <http://www.schneider-electric.com>

PLSED303023EN ART 834173 Dec 2010
© 2011 - Schneider Electric - All rights reserved

As standards, specifications and designs develop from time to time, always ask for confirmation of the information given in this publication. PowerLogic, System Manager, Modbus, ION and ION Enterprise are either trademarks or registered trademarks of Schneider Electric.



Printed on recycled paper.

Design: Schneider Electric
Photos: Schneider Electric
Printed: Imprimerie du Pont de Claix - made in France

