

Submittal Data Sheet



Gobi II
Part # 3004045

Combi
Part # 3004046

Project Information

Job Name: _____	Submitted to: _____
Location: _____	For: <input type="checkbox"/> Reference <input type="checkbox"/> Approval <input type="checkbox"/> Construction
Date: _____	Submitted by: _____
Engineer: _____	Reference: _____

Submittal Information

Approval: _____	Construction: _____
Date: _____	Unit #: _____

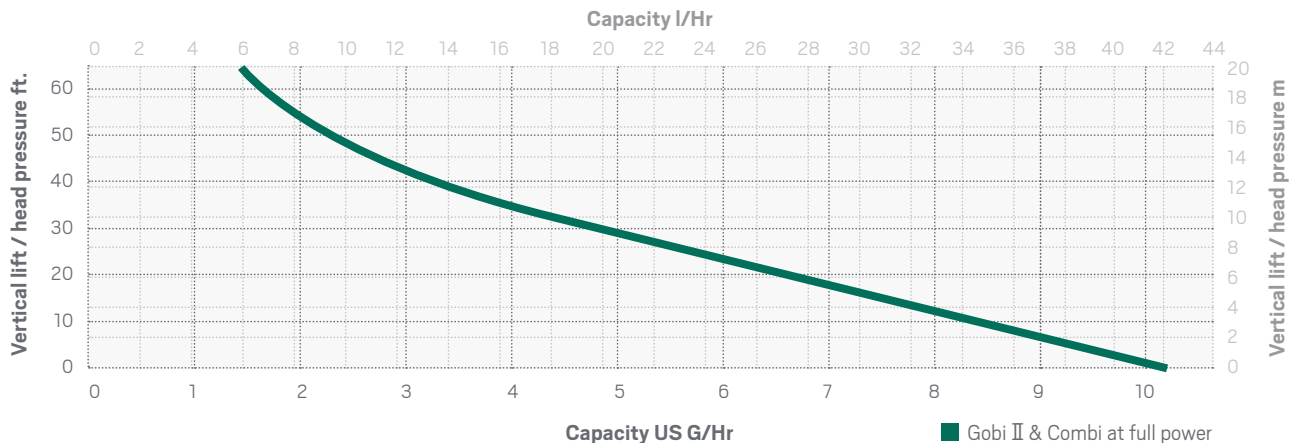
Product Specifications

Maximum flow rate:	42 l/Hr. (11 GPH)
Maximum suction:	3 m (9.80 ft.) self priming
Maximum head:	20 m (65.60 ft.)
Sound:	EMPA certified less than 20dBA at 1 m running (19dBA at 1m EN-ISO3744 :2010)
Voltage:	100 ~ 240 VAC 50/60 Hz auto sensing universal power input
Power:	8 watts during maximum operation at 110v
Alarm relay:	10 Amps NO/NC contacts with integrated replaceable 10A glass fuse 5 × 20 mm
Discharge tube:	1/4" (6mm) Inside Diameter
Color:	Gobi II: RAL #9003 white, Combi: RAL #7040 Grey and RAL #1023 Yellow
Protection:	Class II double insulation, Fully potted, IP-44
Operation temp:	Ambient 3°C to 50°C (37.5°F to 122°F) / Water 5°C to 50°C (41°F to 122°F)
Compliance:	UL94-V0 material ISO-14001 and 9001
Installation range:	6,000 – 120,000 Btu/H



Wiring diagrams available at: www.condensate-pumps.com

Capacity



View installation video at www.condensate-pumps.com



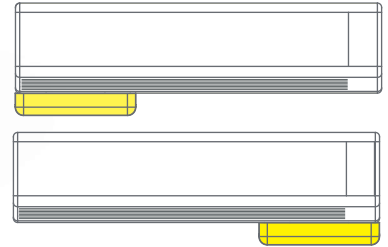
Download user manual at www.condensate-pumps.com

Dimensions & Application

Gobi II Part # 3004045

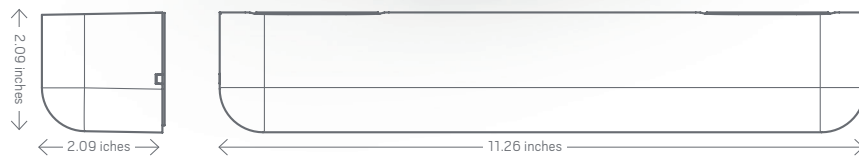


Application

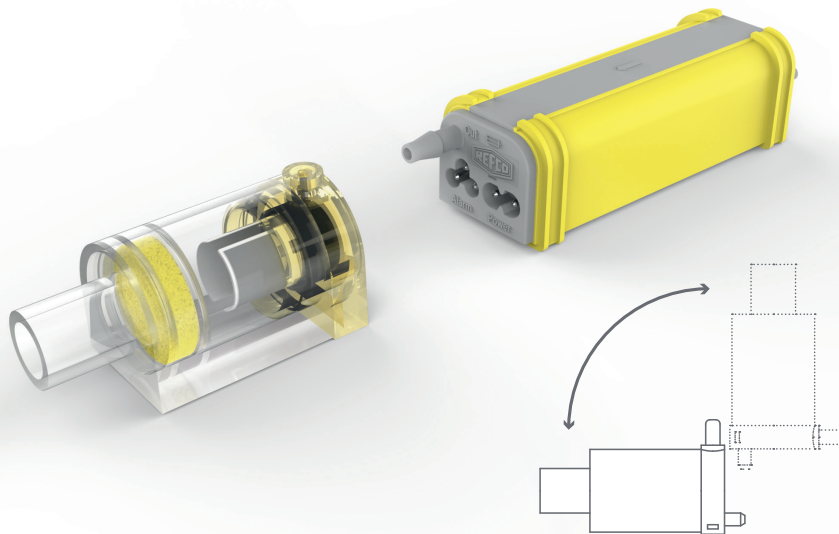


Gobi II pump can be mounted on the right or on the left side

Dimensions pump

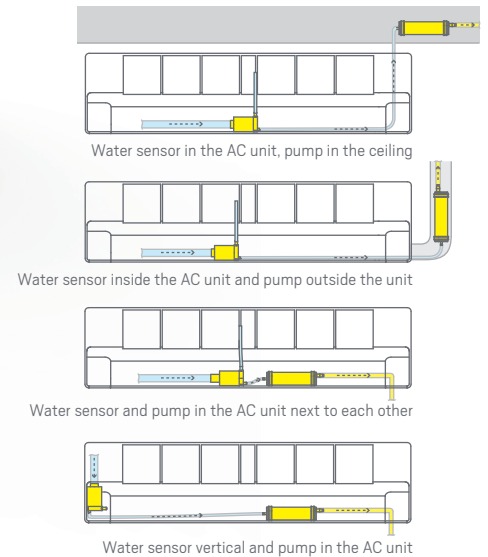


Combi Part # 3004046



Water sensor can be used horizontally or vertically.

Application



Dimensions pump



Dimensions water sensor

