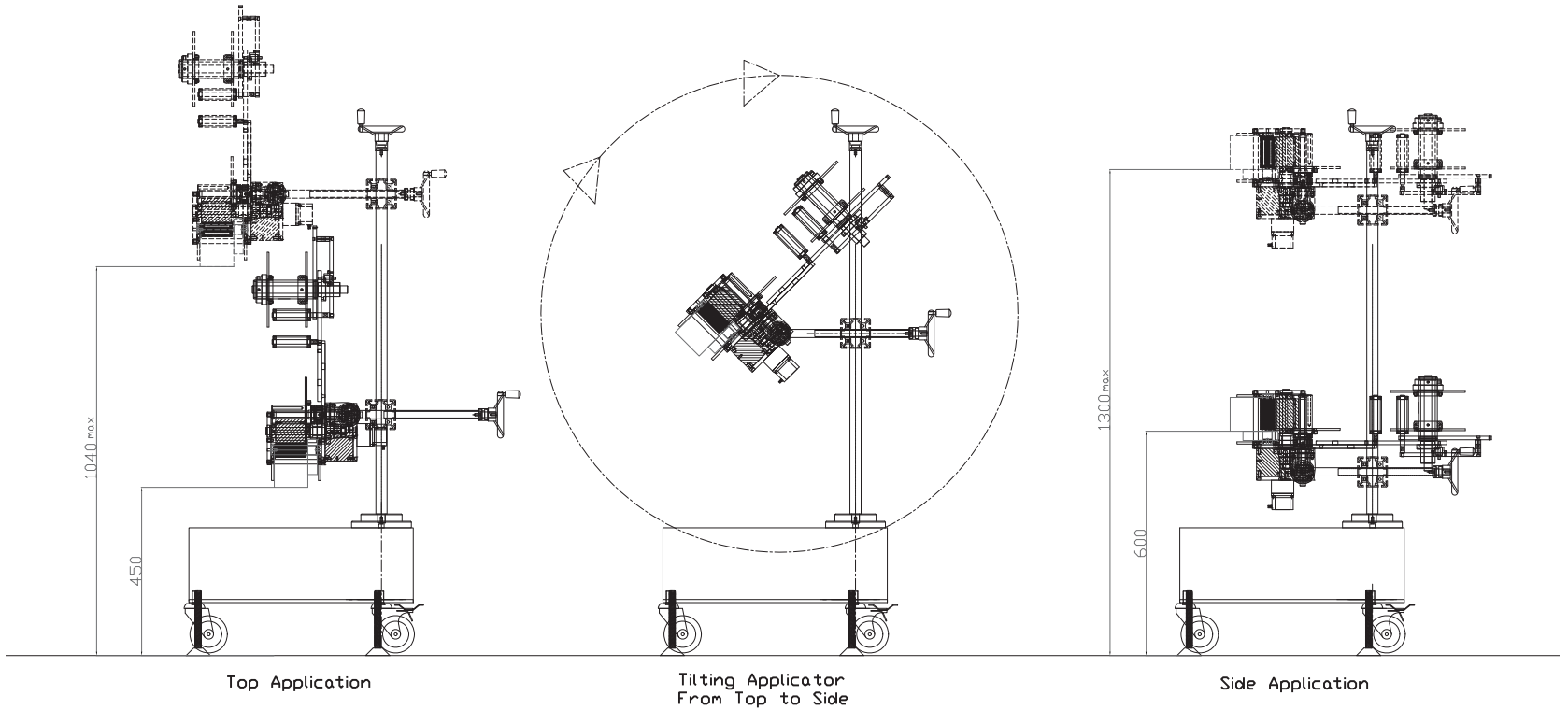


FLEXY APPLICATOR (TOP to SIDE)



The **FLEXY APPLICATOR 2in1**(top to side) ideal for top labelling and side labelling even product shape as 45 degree application, mobility and easy to set up. Utilizing stepper motor (Japan) and programmable logic controller (PLC) system for easy operation and its durability and quality is proven.

SPECIFICATIONS	
MODEL	ATT-FLEXY80-11
POWER SOURCE	AC230V / 50Hz / 60Hz
CONTROL SYSTEM	PROGRAMMABLE LOGIC CONTROLLER (PLC)
DRIVE SYSTEM	STEPPER MOTOR
LABELLING DISPENSING SPEED	20M/Min
LABELLING ACCURACY	+ - 1 to 2mm (depend product shape & speed consistency)
LABELLING OUTPUT	TOP LABELLING (Approx 100-150pcs/Min base on between product distance 150mm) SIDE LABELLING (Approx 100-150pcs/Min base on between product distance 150mm)
LABEL SENSOR	FIBER OPTIC SENSOR
PRODUCT SENSOR	ELECTRICAL PHOTOCCELL / FIBER OPTIC SENSOR
LABELLING SPECIFICATION	LABEL WIDTH 10-80mm (120mm OPTIONAL) LABEL LENGTH 207mm (can preset) LABEL GAP : 3mm LABEL INNER CORE : Ø76mm(Ø3") LABEL ROLL DIAMETER : Ø250mm
MACHINE SPECIFICATION	500(W) x 1200(H) x 1000mm(L)
MACHINE WEIGHT	APPROX 90KG

** Specifications may change without prior notice.

Should you have any queries, please do not hesitate to contact us
at +603-8061 3842 / +6019-242 9984 / +6019-2630 232,
Fax us at +603-8063 3842 or log on to www.sololabeller.com.my