



Teach me twice!

One principle, two housings: MZ2Q for T- and C-slots – magnetic cylinder sensors with two adjustable switch points.

MZ2Q-T and MZ2Q-C:  
convincingly flexible, “vanishingly” small.



MZ2Q-C

MZ2Q-T

 **IO-Link**

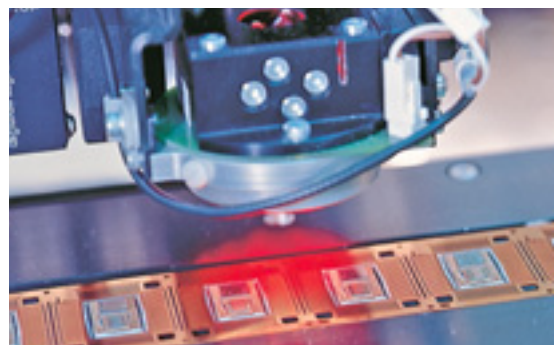
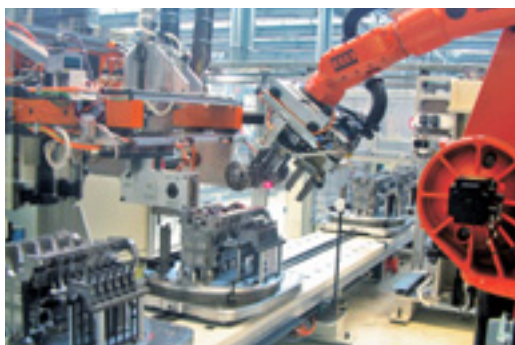
## MZ2Q-T: easy teaching, intelligent handling.



Save on space, not on performance: MZ2Q-T offers maximum performance – including the clever IO-Link interface.

- MZ2Q-T for T-slots:
- 2 adjustable switch points
  - only one slot required
  - only half as much cable
  - simple 2-point teach-in process
  - completely recessed in the T-slot
  - can be mounted from the top
  - IO-Link enabled  
(diagnostics and parameterisation)

 **IO-Link**  
SICK – connecting ideas

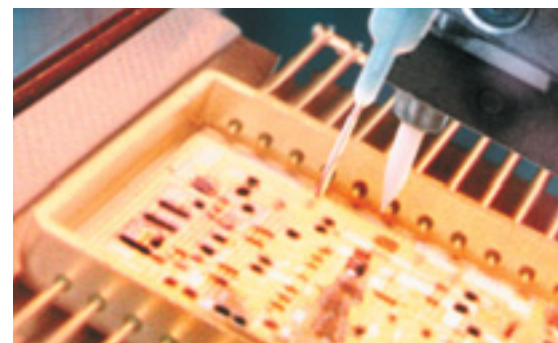
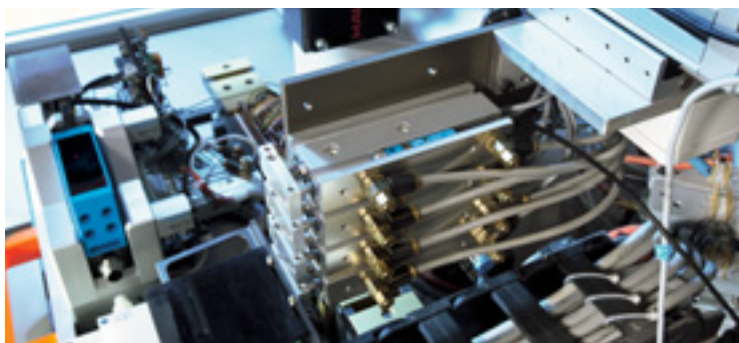


**MZ2Q-C:  
compacter's not possible.**



SICK shows what is possible: the ultra-compact MZ2Q-C vanishes completely into the C-slot that it can only be taught-in from outside. A clever solution: “remote control”.

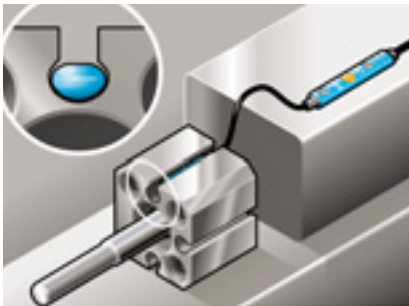
- MZ2Q-C for C-slots:**
- world first for the C-slot
  - 2 adjustable switch points
  - external teach-in
  - only one slot required
  - only half as much cable
  - simple 2-point teach-in process
  - can be mounted from the top
  - completely recessed in the C-slot



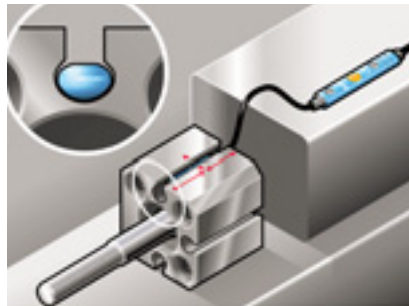


**It's great when it's not the quantity but the quality that counts!**  
**Like the MZ2Q-T and MZ2Q-C magnetic cylinder sensors for the T- and C-slot.**

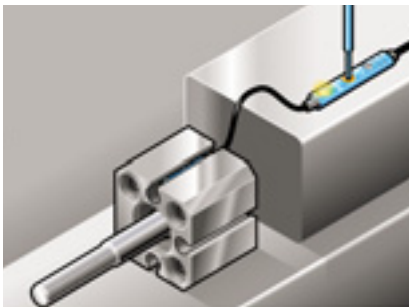
**Developed in order to permit even quicker and more economical end-position definition and intermediate position detection on pneumatic cylinders or grippers.**  
**The secret: two adjustable switch points with just one slot occupied!**  
**This saves mounting space and cabling effort – and thus time and money.**



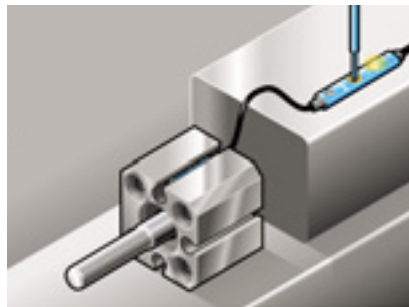
**Insert:** simply insert into the slot from above and turn.



**Positioning:** centre the sensor and affix it.



**First teach-in:** place the piston in the desired 1<sup>st</sup> position and perform the 1<sup>st</sup> teach-in.



**Second teach-in:** place the piston in the desired 2<sup>nd</sup> position and perform the 2<sup>nd</sup> teach-in.

**MZ2Q –  
 THE IDEAL SOLUTION FOR  
 T- AND C-SLOTS**

**For end-position definition on short stroke cylinders and for intermediate position detection on pneumatic cylinders and grippers.**

**Flexible installation:** a single sensor for differing cylinder types – due to specific accessories.

**Mounting brackets for profile and tie-rod cylinders, for pneumatic cylinders with dovetail slots, and for round-bodied cylinders are easily installed and permit universal use of both MZ2Q models.**

## RANGE OF EXPERTISE

### INDUSTRIAL SENSORS

Our complete range of sensors provides answers to suit any application in the field of automation. Even under rugged ambient conditions objects are reliably detected, counted and positioned in respect of their form, location and surface finish, as well as their distances established with pin-point accuracy.



### INDUSTRIAL SAFETY SYSTEMS

Comprehensive protection for man and machine – advanced SICK products developed and manufactured by a sensor specialist for the protection of hazardous areas, hazardous points and for access protection. SICK is setting new standards with services related to machine safety.



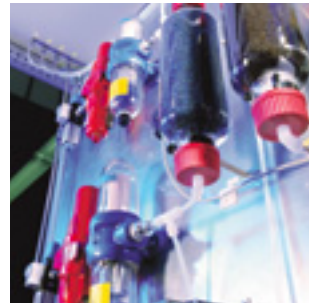
### AUTO IDENT

Whether the tasks involve identification, handling, classification or volume measurement, innovative Auto Ident systems and laser measuring systems function extremely reliably, even under rapid cycle times. They conform to the latest Standards and can be simply and speedily integrated in all industrial environments and external applications.



### ANALYZERS AND PROCESS INSTRUMENTATION

System control, maintaining setpoints, optimising process control and monitoring the flow of materials – the instruments and services for Analysis and Process Measurement, supplied by SICK MAIHAK, are setting the standards for these applications in terms of Technology and Quality.



Worldwide presence with subsidiaries in the following countries:

Australia  
Belgium/Luxembourg  
Brasil  
Česká Republika  
China  
Danmark  
Deutschland  
España  
France  
Great Britain  
India  
Italia  
Japan  
Nederlands  
Norge  
Österreich  
Polska  
Republic of Korea  
Republika Slovenija

Russia  
Schweiz  
Singapore  
Suomi  
Sverige  
Taiwan  
Türkiye  
USA/Canada/México

Please find detailed addresses and additional representatives and agencies in all major industrial nations at [www.sick.com](http://www.sick.com)