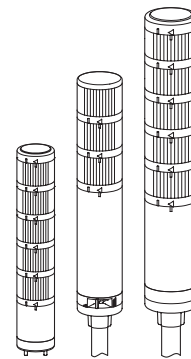


Modular LED Signal Tower Lights

QTC50/ QTC60/ QTC70



Thank you for purchasing Qlight's products. Please read this user manual carefully prior to installation and operation to ensure safe and correct use.

⚠ Precautions for Safety

Failure to follow the instructions below may cause a loss of life or serious physical injury.

1. During wiring or maintenance, please completely turn off the power of the product. (Failure to follow this may lead to an electric shock.)
2. Do not install the product in locations that subjects it to excessive dust or water other than the conditions designated by the IP protection ratings indicated for each product. (Failure to follow these instructions may cause a fire to the product, electric shock, physical injury, malfunction or damage to the product.)
3. Do not alter or repair this product. If maintenance or repair service is required, please contact your local Qlight contact point. (Failure to follow these instructions may lead to fire, electric shock, or product damage.)
4. Please apply the correct voltage to the product. (Failure to follow these instructions may lead to fire, electric shock, or product damage.)
5. When the product is applied to a condition that may impact lives or property, please make sure to have a double safety device. (Failure to follow this may cause damage to property, fire, electric shock and loss of life.)

⚠ Precautions for Correct Use

Failure to follow the proper instructions may cause damage to property, the product, or malfunction of the product that would void the warranty.

1. Please remove any objects that can interrupt ventilation around the product.
2. Please turn off the power of the product immediately if it fails to operate properly.
3. Carefully wire the product according to each product's specification.
4. Please be careful in preventing chemicals such as thinner, benzene, etc. in contact with the surface of the product.
5. Do not apply excessive force/impact to the product.
6. Failure to follow any of the instructions above may cause malfunction or damage to the product, fire, and electric shock.

Ordering Specifications

| QTC50/ 60/ 70L | 3 | 110/220 | RAG | LW18 |
|-----------------------|---------------|--------------|---------|-------------------|
| [Model number] | [Layer count] | [Voltage] | [Color] | [Mounting option] |
| • QTC50/ 60/ 70L | • 1-1 Layer | • 12-DC12V | R-Red | • (Blank) |
| • QTC50/ 60/ 70L-BZ | • 2-2 Layers | • 24-DC24V | A-Amber | - Standard type |
| • QTC50/ 60/ 70LF | • 3- 3Layers | • 110/220 | G-Green | • Mounting type |
| • QTC50/ 60/ 70LF-BZ | • 4-4 Layers | -AC110V-220V | B-Blue | -LB18/24 -LW18/24 |
| • QTCA50/ 60/ 70L | • 5-5 Layers | | W-White | -QZ18/24 -SZ18/24 |
| • QTCA50/ 60/ 70L-BZ | | | | -QL18/24 -SL18/24 |
| • QTCA50/ 60/ 70LF | | | | -QLA18/24 |
| • QTCA50/ 60/ 70LF-BZ | | | | |

| QTC50/ 60/ 70ML | 3 | 110/220 | RAG |
|------------------------|---------------|-----------------------|---------|
| [Model number] | [Layer count] | [Voltage] | [Color] |
| • QTC50/ 60/ 70ML | • 1-1 Layer | • 12-DC12V | R-Red |
| • QTC50/ 60/ 70ML-BZ | • 2-2 Layers | • 24-DC24V | A-Amber |
| • QTC50/ 60/ 70MLF | • 3- 3Layers | • 110/220-AC110V-220V | G-Green |
| • QTC50/ 60/ 70MLF-BZ | • 4-4 Layers | | B-Blue |
| • QTCA50/ 60/ 70ML | • 5-5 Layers | | W-White |
| • QTCA50/ 60/ 70ML-BZ | | | |
| • QTCA50/ 60/ 70MLF | | | |
| • QTCA50/ 60/ 70MLF-BZ | | | |





Please scan the QR code for more detailed product information.


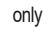
www.qlight.com

Product Specifications



• QTC50L

| Model number | Layer count | Voltage | Current | Certificate | Weight | Color |
|--------------------------------------------------|-------------|----------|---------|------------------------------------------------------------------------------------------------------------------------------------------------------------------------|--------|--------------------------------------------------|
| QTC50L Steady | 1 | AC/DC12V | 0.085A |   | 0.35kg | R-Red |
| QTC50L-BZ Steady/w built-in buzzer | | AC/DC24V | 0.065A | | 0.35kg | |
| QTC50LF Steady/Flashing | 2 | AC/DC12V | 0.170A | | 0.44kg | R-Red G-Green |
| QTC50LF-BZ Steady/Flashing /w built-in buzzer | | AC/DC24V | 0.130A | | 0.44kg | |
| QTC50LF-BZ Steady/Flashing /w built-in buzzer | 3 | AC/DC12V | 0.255A | | 0.52kg | R-Red A-Amber |
| QTC50LF-BZ Steady/Flashing /w built-in buzzer | | AC/DC24V | 0.195A | | 0.52kg | |
| QTC50LF-BZ Steady/Flashing /w built-in buzzer | 4 | AC/DC12V | 0.340A | | 0.61kg | R-Red A-Amber G-Green B-Blue |
| QTC50LF-BZ Steady/Flashing /w built-in buzzer | | AC/DC24V | 0.260A | | 0.61kg | |
| QTC50LF-BZ Steady/Flashing /w built-in buzzer | 5 | AC/DC12V | 0.425A | | 0.69kg | R-Red A-Amber G-Green B-Blue W-White |
| QTC50LF-BZ Steady/Flashing /w built-in buzzer | | AC/DC24V | 0.325A | | 0.69kg | |



• QTC50ML

| Model number | Layer count | Voltage | Current | Certificate | Weight | Color |
|---------------------------------------------------|-------------|----------|---------|----------------------------------------------------------------------------------------------------------------------------------------------------------------------------|--------|--------------------------------------------------|
| QTC50ML Steady | 1 | AC/DC12V | 0.085A |   | 0.20kg | R-Red |
| QTC50ML-BZ Steady/w built-in buzzer | | AC/DC24V | 0.065A | | 0.20kg | |
| QTC50MLF Steady/Flashing | 2 | AC/DC12V | 0.170A | | 0.28kg | R-Red G-Green |
| QTC50MLF-BZ Steady/Flashing /w built-in buzzer | | AC/DC24V | 0.130A | | 0.28kg | |
| QTC50MLF-BZ Steady/Flashing /w built-in buzzer | 3 | AC/DC12V | 0.255A | | 0.37kg | R-Red A-Amber |
| QTC50MLF-BZ Steady/Flashing /w built-in buzzer | | AC/DC24V | 0.195A | | 0.37kg | |
| QTC50MLF-BZ Steady/Flashing /w built-in buzzer | 4 | AC/DC12V | 0.340A | | 0.45kg | R-Red A-Amber G-Green B-Blue |
| QTC50MLF-BZ Steady/Flashing /w built-in buzzer | | AC/DC24V | 0.260A | | 0.45kg | |
| QTC50MLF-BZ Steady/Flashing /w built-in buzzer | 5 | AC/DC12V | 0.425A | | 0.54kg | R-Red A-Amber G-Green B-Blue W-White |
| QTC50MLF-BZ Steady/Flashing /w built-in buzzer | | AC/DC24V | 0.325A | | 0.54kg | |



• QTC60L

| Model number | Layer count | Voltage | Current | Certificate | Weight | Color |
|--------------------------------------------------|-------------|----------|---------|----------------------------------------------------------------------------------------------------------------------------------------------------------------------------|--------|--------------------------------------------------|
| QTC60L Steady | 1 | AC/DC12V | 0.100A |   | 0.43kg | R-Red |
| QTC60L-BZ Steady/w built-in buzzer | | AC/DC24V | 0.070A | | 0.43kg | |
| QTC60LF Steady/Flashing | 2 | AC/DC12V | 0.200A | | 0.52kg | R-Red G-Green |
| QTC60LF-BZ Steady/Flashing /w built-in buzzer | | AC/DC24V | 0.140A | | 0.52kg | |
| QTC60LF-BZ Steady/Flashing /w built-in buzzer | 3 | AC/DC12V | 0.300A | | 0.60kg | R-Red A-Amber |
| QTC60LF-BZ Steady/Flashing /w built-in buzzer | | AC/DC24V | 0.210A | | 0.60kg | |
| QTC60LF-BZ Steady/Flashing /w built-in buzzer | 4 | AC/DC12V | 0.400A | | 0.69kg | R-Red A-Amber G-Green B-Blue |
| QTC60LF-BZ Steady/Flashing /w built-in buzzer | | AC/DC24V | 0.280A | | 0.69kg | |
| QTC60LF-BZ Steady/Flashing /w built-in buzzer | 5 | AC/DC12V | 0.500A | | 0.77kg | R-Red A-Amber G-Green B-Blue W-White |
| QTC60LF-BZ Steady/Flashing /w built-in buzzer | | AC/DC24V | 0.350A | | 0.77kg | |



• QTC60ML

| Model number | Layer count | Voltage | Current | Certificate | Weight | Color |
|---------------------------------------------------|-------------|----------|---------|--------------------------------------------------------------------------------------------------------------------------------------------------------------------------------|--------|--------------------------------------------------|
| QTC60ML Steady | 1 | AC/DC12V | 0.100A |   | 0.28kg | R-Red |
| QTC60ML-BZ Steady/w built-in buzzer | | AC/DC24V | 0.070A | | 0.28kg | |
| QTC60MLF Steady/Flashing | 2 | AC/DC12V | 0.200A | | 0.36kg | R-Red G-Green |
| QTC60MLF-BZ Steady/Flashing /w built-in buzzer | | AC/DC24V | 0.140A | | 0.36kg | |
| QTC60MLF-BZ Steady/Flashing /w built-in buzzer | 3 | AC/DC12V | 0.300A | | 0.45kg | R-Red A-Amber |
| QTC60MLF-BZ Steady/Flashing /w built-in buzzer | | AC/DC24V | 0.210A | | 0.45kg | |
| QTC60MLF-BZ Steady/Flashing /w built-in buzzer | 4 | AC/DC12V | 0.400A | | 0.53kg | R-Red A-Amber G-Green B-Blue |
| QTC60MLF-BZ Steady/Flashing /w built-in buzzer | | AC/DC24V | 0.280A | | 0.53kg | |
| QTC60MLF-BZ Steady/Flashing /w built-in buzzer | 5 | AC/DC12V | 0.500A | | 0.61kg | R-Red A-Amber G-Green B-Blue W-White |
| QTC60MLF-BZ Steady/Flashing /w built-in buzzer | | AC/DC24V | 0.350A | | 0.61kg | |

• QTC70L

| Model number | Layer count | Voltage | Current | Certificate | Weight | Color |
|--------------------------------------------------|-------------|----------|---------|----------------------------------------------------------------------------------------------------------------------------------------------------------------------------|--------|--------------------------------------------------|
| QTC70L Steady | 1 | AC/DC12V | 0.100A |   | 0.56kg | R-Red |
| QTC70L-BZ Steady/w built-in buzzer | | AC/DC24V | 0.070A | | 0.56kg | |
| QTC70LF Steady/Flashing | 2 | AC/DC12V | 0.200A | | 0.68kg | R-Red G-Green |
| QTC70LF-BZ Steady/Flashing /w built-in buzzer | | AC/DC24V | 0.140A | | 0.68kg | |
| QTC70LF-BZ Steady/Flashing /w built-in buzzer | 3 | AC/DC12V | 0.300A | | 0.83kg | R-Red A-Amber |
| QTC70LF-BZ Steady/Flashing /w built-in buzzer | | AC/DC24V | 0.210A | | 0.83kg | |
| QTC70LF-BZ Steady/Flashing /w built-in buzzer | 4 | AC/DC12V | 0.400A | | 0.98kg | R-Red A-Amber G-Green B-Blue |
| QTC70LF-BZ Steady/Flashing /w built-in buzzer | | AC/DC24V | 0.280A | | 0.98kg | |
| QTC70LF-BZ Steady/Flashing /w built-in buzzer | 5 | AC/DC12V | 0.500A | | 1.22kg | R-Red A-Amber G-Green B-Blue W-White |
| QTC70LF-BZ Steady/Flashing /w built-in buzzer | | AC/DC24V | 0.350A | | 1.22kg | |

• QTC70ML

| Model number | Layer count | Voltage | Current | Certificate | Weight | Color |
|---------------------------------------------------|-------------|----------|---------|--------------------------------------------------------------------------------------------------------------------------------------------------------------------------------|--------|--------------------------------------------------|
| QTC70ML Steady | 1 | AC/DC12V | 0.100A |   | 0.44kg | R-Red |
| QTC70ML-BZ Steady/w built-in buzzer | | AC/DC24V | 0.070A | | 0.44kg | |
| QTC70MLF Steady/Flashing | 2 | AC/DC12V | 0.200A | | 0.58kg | R-Red G-Green |
| QTC70MLF-BZ Steady/Flashing /w built-in buzzer | | AC/DC24V | 0.140A | | 0.58kg | |
| QTC70MLF-BZ Steady/Flashing /w built-in buzzer | 3 | AC/DC12V | 0.300A | | 0.79kg | R-Red A-Amber |
| QTC70MLF-BZ Steady/Flashing /w built-in buzzer | | AC/DC24V | 0.210A | | 0.79kg | |
| QTC70MLF-BZ Steady/Flashing /w built-in buzzer | 4 | AC/DC12V | 0.400A | | 0.94kg | R-Red A-Amber G-Green B-Blue |
| QTC70MLF-BZ Steady/Flashing /w built-in buzzer | | AC/DC24V | 0.280A | | 0.94kg | |
| QTC70MLF-BZ Steady/Flashing /w built-in buzzer | 5 | AC/DC12V | 0.500A | | 1.09kg | R-Red A-Amber G-Green B-Blue W-White |
| QTC70MLF-BZ Steady/Flashing /w built-in buzzer | | AC/DC24V | 0.350A | | 1.09kg | |

※ QTC series UL listed : DC24V

Dimensions

(Units : mm)

• QTC50(M)L

QTC50ML : DC
QTC50MLF : DC
QTC50ML-BZ : DC

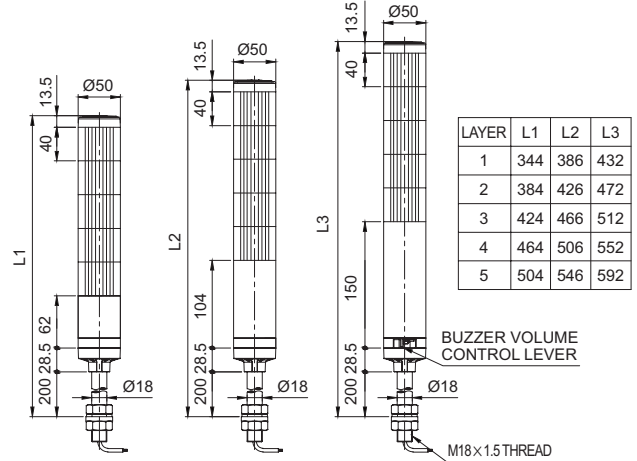
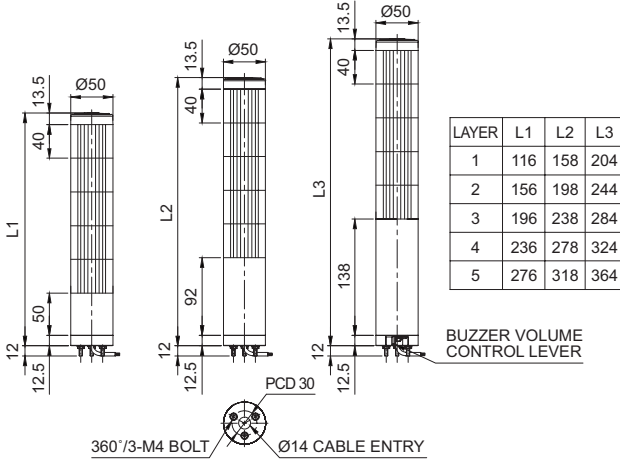
QTC50ML : AC
QTC50MLF-BZ : DC

QTC50MLF : AC
QTC50ML-BZ : AC
QTC50MLF-BZ : AC

QTC50L : DC
QTC50LF : DC
QTC50L-BZ : DC

QTC50L : AC
QTC50LF-BZ : DC

QTC50LF : AC
QTC50L-BZ : AC
QTC50LF-BZ : AC



• QTC60(M)L

QTC60ML : DC
QTC60MLF : DC
QTC60ML-BZ : DC

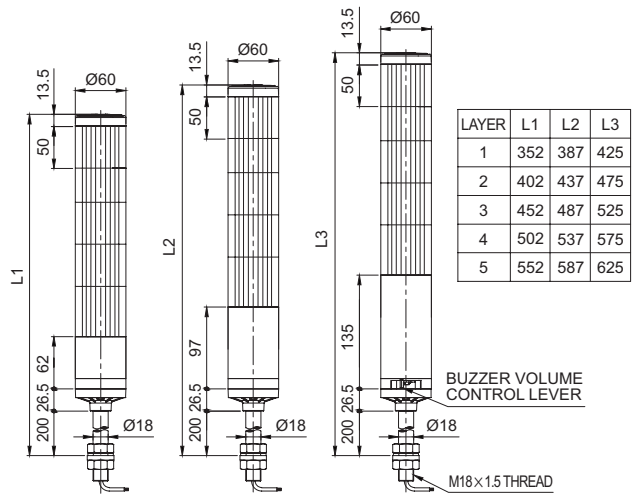
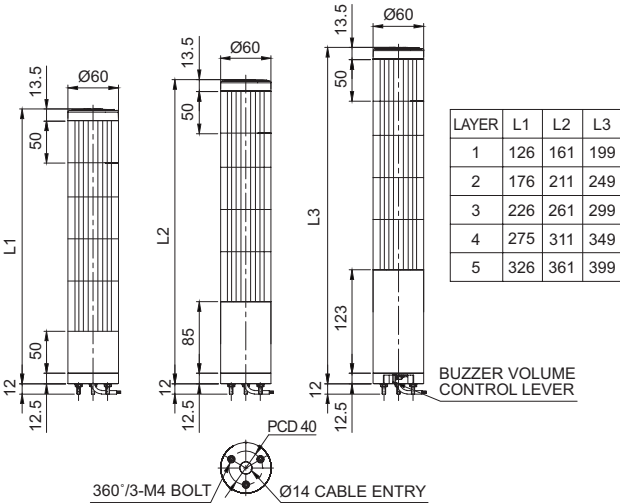
QTC60ML : AC
QTC60MLF-BZ : DC

QTC60MLF : AC
QTC60ML-BZ : AC
QTC60MLF-BZ : AC

QTC60L : DC
QTC60LF : DC
QTC60L-BZ : DC

QTC60L : AC
QTC60LF-BZ : DC

QTC60LF : AC
QTC60L-BZ : AC
QTC60LF-BZ : AC



• QTC70(M)L

QTC70ML : DC
QTC70MLF : DC
QTC70ML-BZ : DC

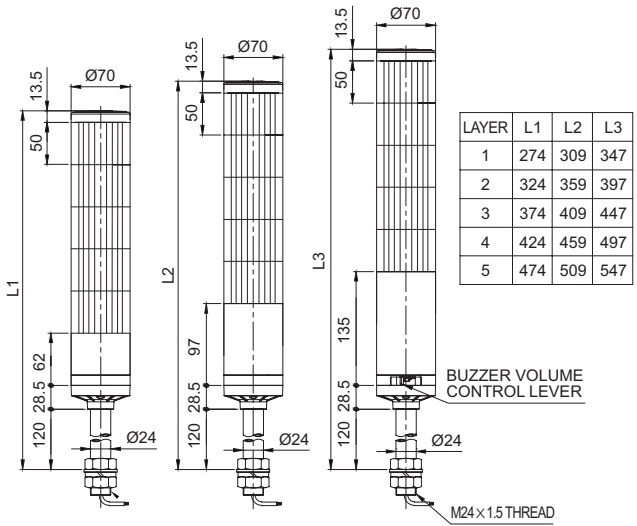
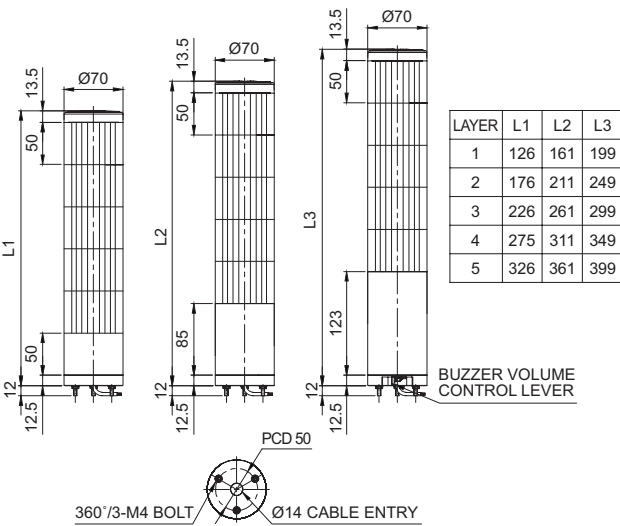
QTC70ML : AC
QTC70MLF : AC
QTC70ML-BZ : AC
QTC70MLF-BZ : DC

QTC70MLF-BZ : AC

QTC70L : DC
QTC70LF : DC
QTC70L-BZ : DC

QTC70L : AC
QTC70LF : AC
QTC70L-BZ : AC
QTC70LF-BZ : DC

QTC70LF-BZ : AC



Wiring Instructions

■ Wiring using external contact

- In case of wiring with external contacts, refer to the wiring diagrams below according to your product's type and voltage setting.

| | Wiring diagrams | | Wiring diagrams |
|--------------------|------------------------------------------------------------------------------------------------------------------------------------------------------------------------------------------------------------------------------------------------------------------------------------------------------------------------------------------------------------------------------------------|--------------------|------------------------------------------------------------------------------------------------------------------------------------------------------------------------------------------------------------------------------------------------------------------------------------------------------------------------------------------------------------------------------------------|
| DC steady | <p>QTC50ML QTC50L QTC60ML QTC60L QTC70ML QTC70L</p> <ul style="list-style-type: none"> • QTC(A) □ □ (M)L - Refer to this diagram for buzzer type product • QTC □ □ L <ul style="list-style-type: none"> □ Lens diameter 50(50mm) : QTC50(M)L □ 60(60mm) : QTC60(M)L □ 70(70mm) : QTC70(M)L | AC steady | <p>QTC50ML QTC50L QTC60ML QTC60L QTC70ML QTC70L</p> <ul style="list-style-type: none"> • QTC(A) □ □ (M)L - Refer to this diagram for buzzer type product • QTC □ □ L <ul style="list-style-type: none"> □ Lens diameter 50(50mm) : QTC50(M)L □ 60(60mm) : QTC60(M)L □ 70(70mm) : QTC70(M)L |
| DC steady/flashing | <p>QTC50MLF QTC50LF QTC60MLF QTC60LF QTC70MLF QTC70LF</p> <ul style="list-style-type: none"> • QTC(A) □ □ (M)LF - Refer to this diagram for buzzer type product • QTC □ □ LF <ul style="list-style-type: none"> □ Lens diameter 50(50mm) : QTC50(M)LF □ 60(60mm) : QTC60(M)LF □ 70(70mm) : QTC70(M)LF | AC steady/Flashing | <p>QTC50MLF QTC50LF QTC60MLF QTC60LF QTC70MLF QTC70LF</p> <ul style="list-style-type: none"> • QTC(A) □ □ (M)LF - Refer to this diagram for buzzer type product • QTC □ □ LF <ul style="list-style-type: none"> □ Lens diameter 50(50mm) : QTC50(M)LF □ 60(60mm) : QTC60(M)LF □ 70(70mm) : QTC70(M)LF |

- DC steady type cable specification : External power/ signal line - UL1007 AWG22(0.3sq) 400mm
- AC steady, AC/DC steady/flashing type cable specification : External power line - UL1015 AWG18(0.75sq) × 2C 400mm, External signal line - UL1007 AWG22(0.3sq) 400mm

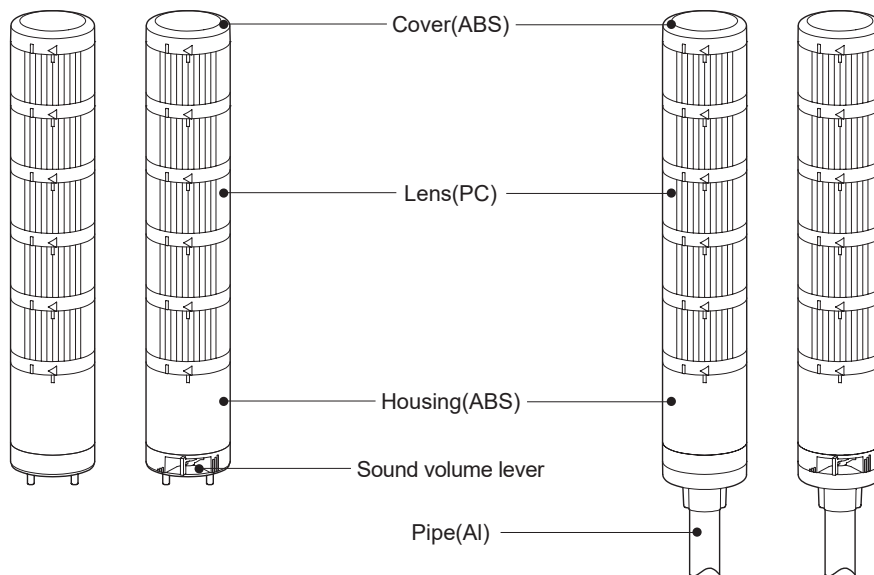
■ Wiring using transistor

- When using a transistor, please choose between the NPN or PNP type transistor which best matches the voltage and product type, then connect them correctly according to the wiring diagrams below.

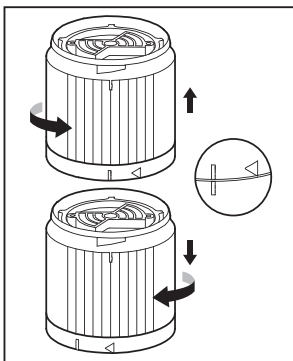
| | | Wiring diagrams | |
|--------------------|--|--------------------------------------------------------------------------------------------------------------------------------------------------------------------------------------------------------------------------------------------------------------------------------------------------------------------------------------------------------------------------------------------------------------------------------------------------------------------------|------------------------------------------------------------------------------------------------------------------------------------------------------------------------------------------------------------------------------------------------------------------------------------------------------------------------------------------------------------------------------------------------------------------------------------------------------------|
| DC steady | | <p>NPN-Transistor External Transistor-NPN</p> <p>PNP-Transistor External Transistor-PNP</p> <p>QTC50ML QTC50L QTC60ML QTC60L QTC70ML QTC70L</p> <ul style="list-style-type: none"> • QTC(A) □□ (M)L - Refer to this diagram for buzzer type product • QTC □□ L <ul style="list-style-type: none"> □ Lens diameter 50(50mm) : QTC50(M)L 60(60mm) : QTC60(M)L 70(70mm) : QTC70(M)L | |
| DC steady/flashing | | <p>PNP-Transistor External Transistor-PNP</p> <p>QTC50MLF QTC50LF QTC60MLF QTC60LF QTC70MLF QTC70LF</p> <ul style="list-style-type: none"> • QTC(A) □□ (M)LF - Refer to this diagram for buzzer type product • QTC □□ LF <ul style="list-style-type: none"> □ Lens diameter 50(50mm) : QTC50(M)LF 60(60mm) : QTC60(M)LF 70(70mm) : QTC70(M)LF | <p>AC steady/flashing</p> <p>PNP-Transistor External Transistor-PNP</p> <p>QTC50MLF QTC50LF QTC60MLF QTC60LF QTC70MLF QTC70LF</p> <ul style="list-style-type: none"> • QTC(A) □□ (M)LF - Refer to this diagram for buzzer type product • QTC □□ LF <ul style="list-style-type: none"> □ Lens diameter 50(50mm) : QTC50(M)LF 60(60mm) : QTC60(M)LF 70(70mm) : QTC70(M)LF |

- DC steady type cable specification : External power/ signal line - UL1007 AWG22(0.3sq) 400mm
- AC steady, AC/DC steady/flashing type cable specification : External power line - UL1015 AWG18(0.75sq) × 2C 400mm, External signal line - UL1007 AWG22(0.3sq) 400mm

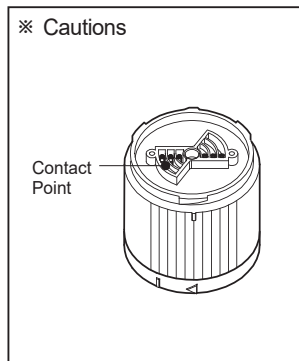
Parts Definition



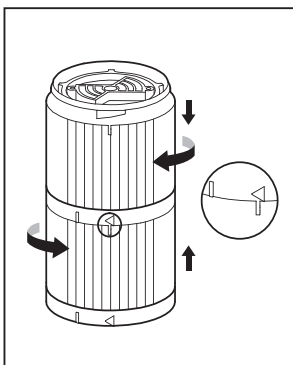
How to replace the module



- Disassembling the module
- ① Twist the upper module kit in a counterclockwise direction so the “□” mark from both kits align.
- ② Disassemble by removing the upper module kit from the lower one.



※ Cautions
Lens modules are connected through cone-shaped contact point. In case the contact point is damaged, it may cause a contact failure.

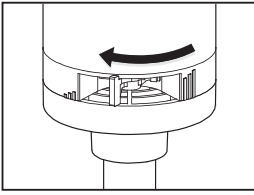


- Assembling the module
- ① Put the two module together by aligning the upper module’ “□” mark and the lower module’ “□” mark together.
- ② Lock the two kits by twisting the upper module kit in a clock wise direction so the upper module’ “◁” mark aligns with the lower module’ “□” mark.

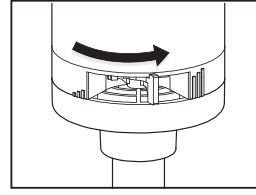
Installation Environment and Protection Rating

- This product is designed for indoor use with protection rating of IP65(standard type) or IP54(buzzer type).
- If the product is installed in locations that subject it to excessive dust or water other than the designated IP protection rating indicated(IP65), it may cause malfunction or damage to the product.
- For further information, please visit our website(www.qlight.com).

Buzzer Sound Volume Adjustment Instructions



Buzzer volume is reduced by sliding the volume control lever to the left as show in the diagram to the left.
(Min. 65±4dB/m)

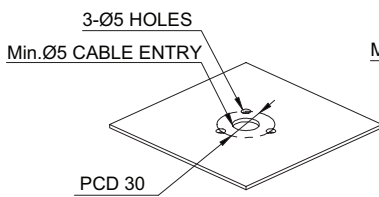


Raise/ Increase the buzzer volume by sliding the control lever to the right as shown in the diagram to the left.
(Max. 85±4dB/m)

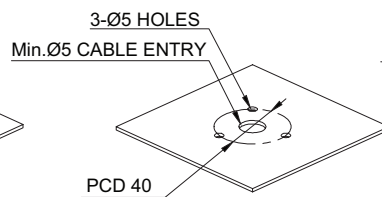
Mounting Hole Specifications

■ QTC50M/ QTC60M/ QTC70M -Direct Mounting Type Model

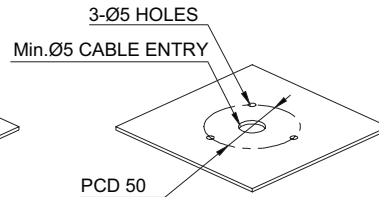
① Machine holes on the mounting surface referring to the diagram below.



QTC50M



QTC60M



QTC70M

② Remove the flange nuts from bolts and place the product through the mounting surface holes.

③ Fasten the flange nuts on the opposite side of the mounting surface until the product is tightened securely.

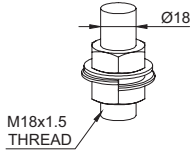
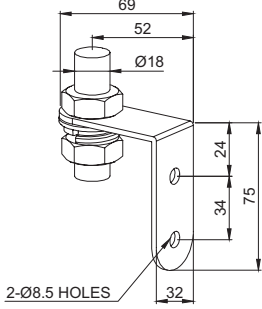
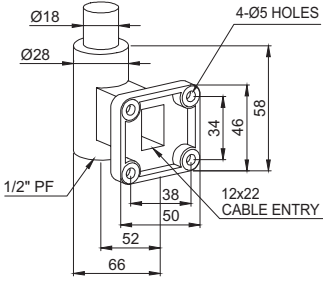
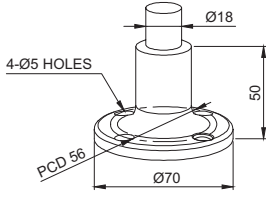
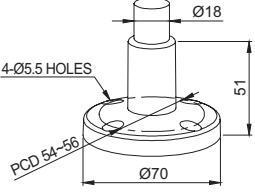
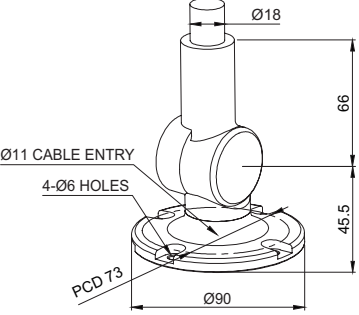
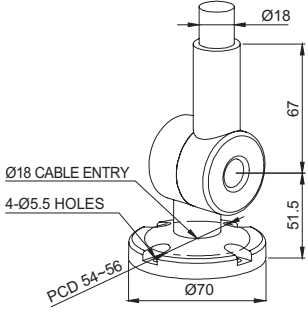
Mounting Accessories (Sold Separately)

• Please refer to the dimensions below for installation of mounting brackets.

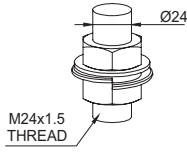
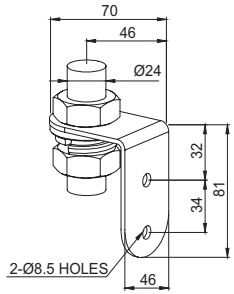
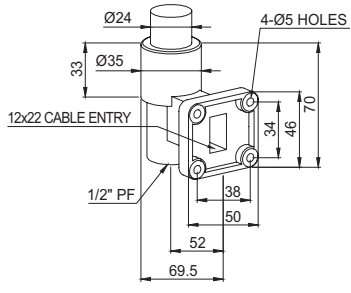
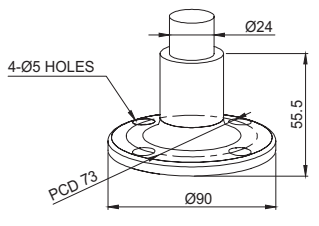
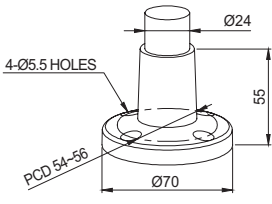
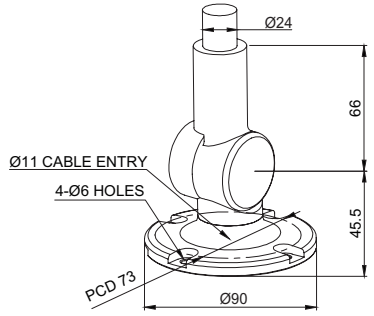
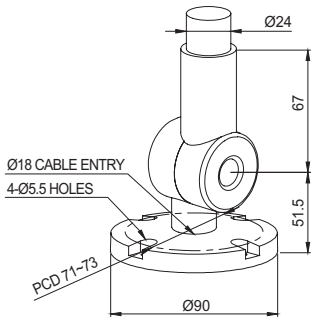
■ QTC50ML/ QTC60ML/ QTC70ML - Direct Mounting Type Model

| | | Dimensions | |
|------------------------------|--------------|--------------|--|
| QTC50 series QTC60 series | <p>TWS45</p> | <p>TWA45</p> | |
| | <p>TWS80</p> | <p>TWA80</p> | |

■ QTC50L/ QTC60L - Pole Mounting Type Model

| Dimensions | |
|------------------------------------------------------------------------------------------------------------------------------------------------------------------------------|--------------------------------------------------------------------------------------------------|
| <p>QTC50 series QTC60 series</p>  <p>M18x1.5 THREAD</p> <p>18mm SCREW & NUT</p> |  <p>LB18</p> |
|  <p>LW18</p> |  <p>SZ18</p> |
|  <p>QZ18</p> |  <p>SL18</p> |
|  <p>QL18</p> | |

■ QTC70L - Pole Mounting Type Model

| Dimensions | |
|------------------------------------------------------------------------------------------------------------------------------------------------------------------------------------------------------------------------------------------------------|-----------------------------------------------------------------------------------------------------------------------------------------------------------------------------------------|
| <p>QTC70 series</p>  <p>M24x1.5 THREAD</p> <p>Ø24</p> |  <p>70</p> <p>46</p> <p>Ø24</p> <p>32</p> <p>81</p> <p>34</p> <p>46</p> <p>2-Ø8.5 HOLES</p> |
| <p>24mm SCREW & NUT</p> | <p>LB24</p> |
|  <p>Ø24</p> <p>4-Ø5 HOLES</p> <p>33</p> <p>Ø35</p> <p>12x22 CABLE ENTRY</p> <p>1/2" PF</p> <p>70</p> <p>34</p> <p>46</p> <p>38</p> <p>50</p> <p>52</p> <p>69.5</p> |  <p>Ø24</p> <p>4-Ø5 HOLES</p> <p>PCD 73</p> <p>Ø90</p> <p>55.5</p> |
| <p>LW24</p> | <p>SZ24</p> |
|  <p>Ø24</p> <p>4-Ø5.5 HOLES</p> <p>PCD 54-56</p> <p>Ø70</p> <p>55</p> |  <p>Ø24</p> <p>66</p> <p>Ø11 CABLE ENTRY</p> <p>4-Ø6 HOLES</p> <p>PCD 73</p> <p>Ø90</p> <p>45.5</p> |
| <p>QZ24</p> | <p>SL24</p> |
|  <p>Ø24</p> <p>67</p> <p>Ø18 CABLE ENTRY</p> <p>4-Ø5.5 HOLES</p> <p>PCD 71-73</p> <p>Ø90</p> <p>51.5</p> | |
| <p>QL24</p> | |

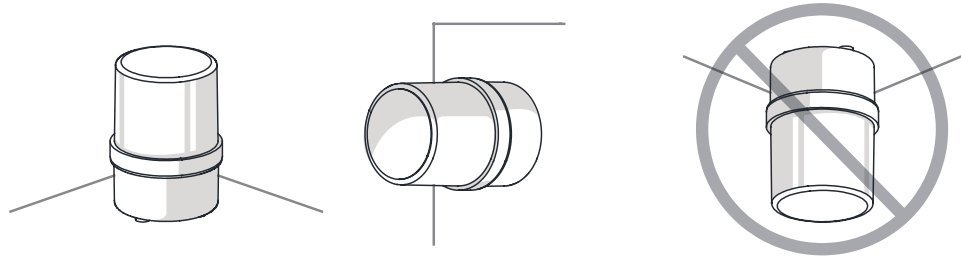
Product installation direction

- Install the product in accordance with the manual. Otherwise rainwater or moisture may penetrate into the product.

· BEACON/SIGNALING LIGHT

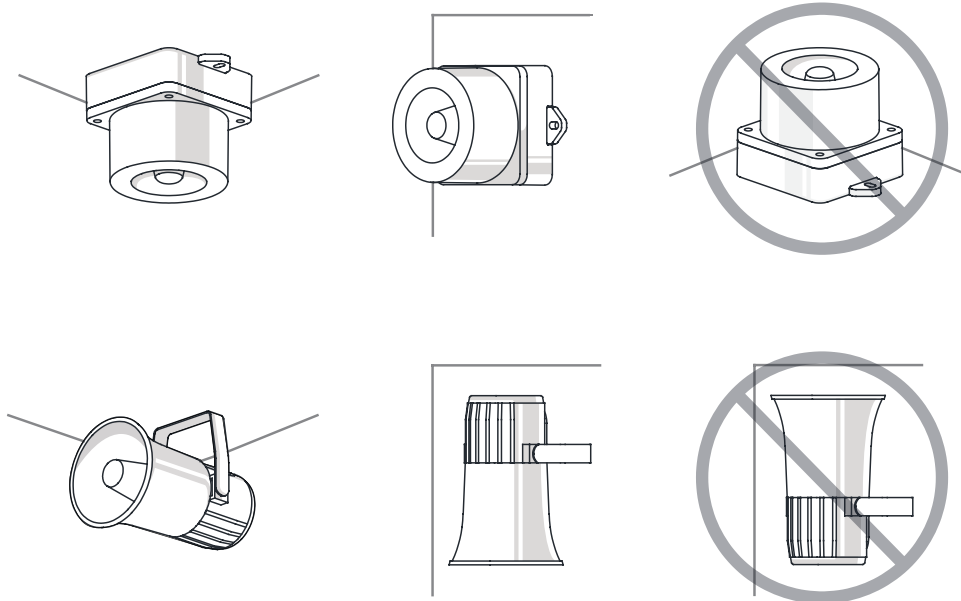
※ For products with a protection rating of less than IPX4, please install it vertically.

Power cord inlet part shall not be facing the sky.



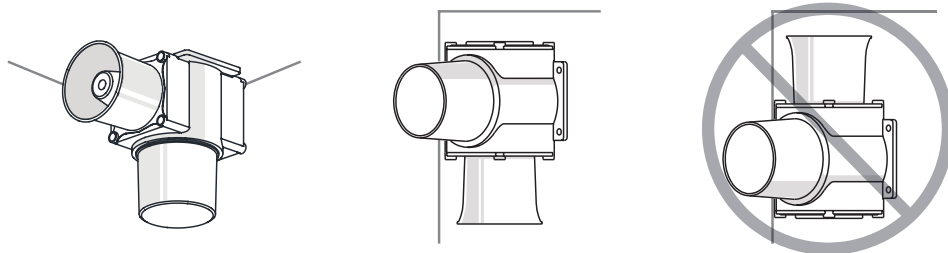
· ELECTRONIC SOUNDER/SIGNAL HORN

Sounder part shall not be facing the sky.



· HEAVY-DUTY & EXPLOSION PROOF SIGNALINGS

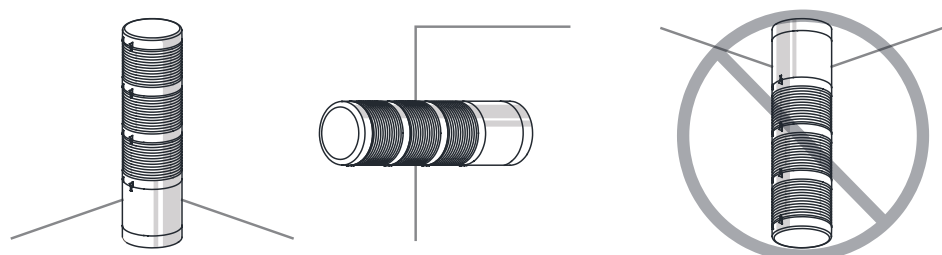
Sounder part shall not be facing the sky.



· SIGNAL TOWER LIGHTS

※ For products with a protection rating of less than IPX4, please install it vertically.

Power cord inlet part shall not be facing the sky.





For your safety

Specification and dimensions listed in this catalogue subject to change without notice for product quality improvement.
The newest product information is available on our website.(www.qlight.com)
Please read the instruction manual attached to the product carefully before installation and use.

Qlight Co., Ltd. www.qlight.com | trade@qlight.com

Head Office | Suite #1510, STX-V Tower, 128 Gasan digital 1-ro, Geumcheon-gu, Seoul, Korea

Tel. +82-2-2679-6152(Toll free. +82-80-328-2222) Fax. +82-2-2679-6154

Factory | 185-25, Mukbang-ro, Sangdong-myeon, Gimhae-si, Gyeongsangnamdo, Korea Tel. +82-55-328-1111(Toll free. +82-80-328-1111)

Qlight OverSEAs Sales Dept | 704 Nakdong-daero, Sasang-gu, Busan, Korea(Eomgung-Dong) Tel : +82-51-620-4100

Qlight Public Relations & Marketing Team Office | 704 Nakdong-daero, Sasang-gu, Busan, Korea(Eomgung-Dong) Tel. +82-51-245-0017

Qlight USA, Inc. www.qlight.com www.qlightusa.com | sales@qlightusa.com

3003 North First Street, Suite #341, San Jose, CA 95134 USA Tel. +1-408-519-5740 Fax. +1-408-519-5739

SHANGHAI Qlight Electronic Co., Ltd. www.qlight.com www.qlightcn.com | qlightcn@qlight.com

China Factory/ Shanghai Sales Office | #19, Nanda Road, Baoshan Area, Shanghai, China Tel. +86-21-6651-7100 Fax. +86-21-6315-3929

China Factory Site 2 (Qidong) | #33, Haiyan Road, Qidong High-tech Industrial Development Zone, Qidong, Jiangsu Province, China

Tel +86-513-8384-9999 Fax +86-513-8384-9910

Qlightec

Innovation in Alarm & Signal

Product Operation Inquiry / Customer Support +82-51-620-4100

You can expect prompt service if you have exact information such as model name, symptom, telephone number and address.

※ ALL PRODUCT, PRODUCT SPECIFICATIONS AND DATA ARE SUBJECT TO CHANGE WITHOUT NOTICE TO IMPROVE RELIABILITY, FUNCTION OR DESIGN OR OTHERWISE.

Head office : Suite #1510, STX-V Tower, 128 Gasan digital 1-ro, Geumcheon-gu, Seoul, Korea (Postal Code : 08507)

Factory : 185-25, Mukbang-Ro, Sangdong-Myeon, Gimhae-Si, Gyeongsangnam-Do, Korea (Postal Code : 50805)

www.qlight.com

EN - QTC50ML - 2208A