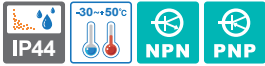


STA35SL

Ø35mm Slim LED Tower Lights



STA35SL

STA35SL Ø35mm Direct Mount LED Steady Tower Lights

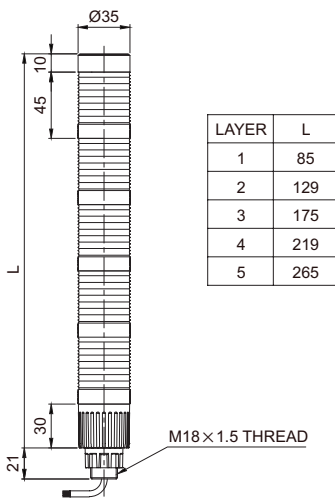
- Ø35mm direct mount tower lights
- Excellent visibility by using a high brightness LED with a special diffusion lens
- Lens maintains a semi-transparent color when not emitting the specific color of the signal under operation.
- Steady mode only (can operate flashing mode with external control) with fixed user selected color arrangement
- Easy mounting with the bolts/ screws located at the bottom of the product
- Materials : Lens-AS, Housing-ABS
- Ambient operating temperature : -30°C to +50°C
- Protection rating : IP44

Specifications

Model number	Layer	Voltage	Current	Certificates	Weight	Color
STA35SL Steady	1	DC12V DC24V	0.160A 0.080A	-	0.60kg	• R-Red
	2	DC12V DC24V	0.320A 0.160A		0.85kg	• R-Red • G-Green
	3	DC12V DC24V	0.480A 0.240A		1.05kg	• R-Red • A-Amber • G-Green
	4	DC12V DC24V	0.640A 0.320A		1.30kg	• R-Red • A-Amber • G-Green • B-Blue
	5	DC12V DC24V	0.800A 0.400A		1.53kg	• R-Red • A-Amber • G-Green • B-Blue • W-White

Technical Diagram (Units : mm)

STA35SL



Wiring Instructions

- External power line and signal line standard : UL1007 AWG22(0.3sq) 400mm
- ※ Please refer to page 248 for detailed wiring instructions.

Customization

- Wall mount bracket options : Used for mounting on the vertical surface



Ordering Specification

STA35SL	-	3	-	220	-	RAG
[Model number]		[Layer]		[Voltage]		[Color]
• STA35SL		• 1-1Layer • 2-2Layers • 3-3Layers • 4-4Layers • 5-5Layers		• 12-DC12V • 24-DC24V		• R-Red • A-Amber • G-Green • B-Blue • W-White

STA series

Slim LED Tower Lights

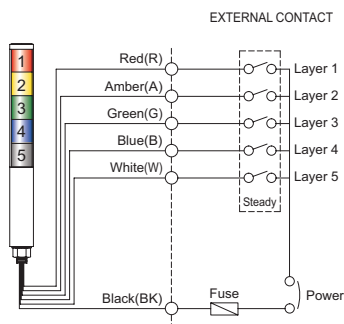


Wiring Instructions

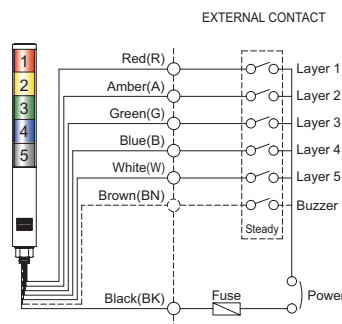
- STA25SLM, STA35SL, STA35SLM and STA45SLM can be wired by using both external contact and transistor.
- In case of wiring by transistor, please make sure if it is NPN type or PNP type. Please carefully follow wiring instructions below.

External Contact

STA25SLM-DC/AC
STA35SL/ STA35SLM-DC



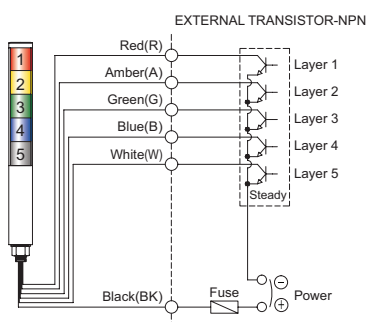
STA45SLM/ STA45SLMP-DC



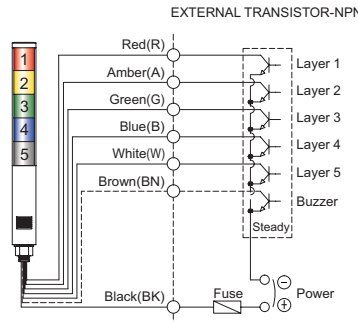
Transistor

NPN-Transistor

STA25SLM-DC
STA35SL/ STA35SLM-DC

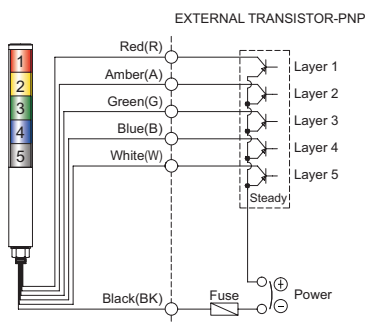


STA45SLM/ STA45SLMP-DC

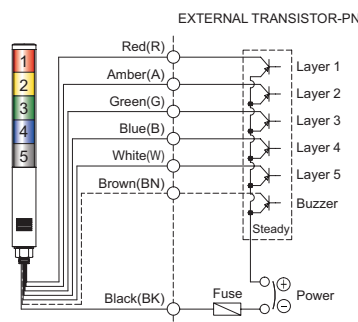


PNP-Transistor

STA25SLM-DC
STA35SL/ STA35SLM-DC



STA45SLM/ STA45SLMP-DC



Wiring Instructions

- External power line and signal line standard : UL1007 AWG22(0.3sq) 400mm

Transistor Rating

Type	NPN or PNP
Withstanding voltage	$V_c \geq 35V$
Current	$I_c \geq 300mA$
Leakage current	$0.1mA \geq I_L$