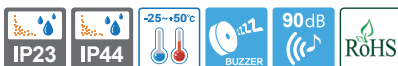


ST56MB

Ø56mm Bulb Steady/Flashing Tower Lights



- ST56MB** Steady
- ST56MB-BZ** Built-in Buzzer Steady
- ST56MBF** Steady/Flashing
- ST56MBF-BZ** Built-in Buzzer Steady/Flashing



ST56MB series

Built-in buzzer output holes formed on the housing of the product.



ST56MB Ø56mm Direct Mount, Bulb Steady/Flashing

Model number	Layer	Voltage	Current	Bulb			Certificates	Weight	Color
				Spec	Standard	Parts no#			
ST56MB Steady ST56MB-BZ Steady w/ built-in buzzer ST56MBF Steady/ Flashing ST56MBF-BZ Steady/Flashing /w built-in buzzer	1	AC/DC12V	0.925A	12V10W	T16x35 15S	9	CE DC only	0.30kg	● R-Red
		AC/DC24V	0.514A	24V10W	T16x35 15S	10		0.30kg	
		AC110V	0.095A	110V10W	T16x35 15S	12		0.30kg	
		AC220V	0.046A	220V10W	T16x35 15S	13		0.30kg	
	2	AC/DC12V	1.851A	12V10W	T16x35 15S	9		0.39kg	● R-Red ● G-Green
		AC/DC24V	1.028A	24V10W	T16x35 15S	10		0.39kg	
		AC110V	0.191A	110V10W	T16x35 15S	12		0.39kg	
		AC220V	0.093A	220V10W	T16x35 15S	13		0.39kg	
	3	AC/DC12V	2.776A	12V10W	T16x35 15S	9		0.46kg	● R-Red ● A-Amber ● G-Green
		AC/DC24V	1.543A	24V10W	T16x35 15S	10		0.46kg	
		AC110V	0.286A	110V10W	T16x35 15S	12		0.46kg	
		AC220V	0.140A	220V10W	T16x35 15S	13		0.46kg	
	4	AC/DC12V	3.702A	12V10W	T16x35 15S	9		0.54kg	● R-Red ● A-Amber ● G-Green ● B-Blue
		AC/DC24V	2.057A	24V10W	T16x35 15S	10		0.54kg	
		AC110V	0.382A	110V10W	T16x35 15S	12		0.54kg	
AC220V		0.186A	220V10W	T16x35 15S	13	0.54kg			
5	AC/DC12V	4.627A	12V10W	T16x35 15S	9	0.62kg	● R-Red ● A-Amber ● G-Green ● B-Blue ● W-White		
	AC/DC24V	2.572A	24V10W	T16x35 15S	10	0.62kg			
	AC110V	0.477A	110V10W	T16x35 15S	12	0.62kg			
	AC220V	0.233A	220V10W	T16x35 15S	13	0.62kg			

Signal/ Audible Line Current(per each layer)

Voltage	AC/DC12V	AC/DC24V	AC110V	AC220V
Signal Line Current	0.925A	0.541A	0.095A	0.046A
Audible Line Current	0.016A	0.031A	0.090A	0.090A

Customization

- 2 buzzer sound types : Both prolonged (beep, beep) and staccato (beep, beep, beep) buzzer output available
- Wall mount bracket options : Bracket structure allows for threading through the bracket hole or into the wall

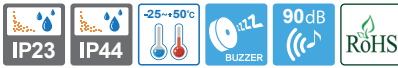


Ordering Specification

ST56MB	-	3	-	24	-	RAG
[Model number]		[Layer]		[Voltage]		[Color]
<ul style="list-style-type: none"> • ST56MB • ST56MB-BZ • ST56MBF • ST56MBF-BZ 		<ul style="list-style-type: none"> • 1-1Layer • 2-2Layers • 3-3Layers • 4-4Layers • 5-5Layers 		<ul style="list-style-type: none"> • 12-DC12V • 24-DC24V • 110-AC110V • 220-AC220V 		<ul style="list-style-type: none"> ● R-Red ● A-Amber ● G-Green ● B-Blue ● W-White

ST56B

Ø56mm Bulb Steady/Flashing Tower Lights



- ST56B** Steady
- ST56B-BZ** Built-in Buzzer Steady
- ST56BF** Steady/Flashing
- ST56BF-BZ** Built-in Buzzer Steady/Flashing



ST56B series

Built-in buzzer output holes formed on the housing of the product.



ST56B Ø56mm Pole Mount, Bulb Steady/Flashing

Model number	Layer	Voltage	Current	Bulb			Certificates	Weight	Color
				Spec	Standard	Parts no#			
ST56B Steady ST56B-BZ Steady w/ built-in buzzer ST56BF Steady/ Flashing ST56BF-BZ Steady/ Flashing w/ built-in buzzer	1	AC/DC12V	0.925A	12V10W	T16x35 15S	9	CE DC only	0.45kg	● R-Red
		AC/DC24V	0.514A	24V10W	T16x35 15S	10		0.45kg	
		AC110V	0.095A	110V10W	T16x35 15S	12		0.45kg	
		AC220V	0.046A	220V10W	T16x35 15S	13		0.45kg	
	2	AC/DC12V	1.851A	12V10W	T16x35 15S	9		0.53kg	● R-Red ● G-Green
		AC/DC24V	1.028A	24V10W	T16x35 15S	10		0.53kg	
		AC110V	0.191A	110V10W	T16x35 15S	12		0.53kg	
		AC220V	0.093A	220V10W	T16x35 15S	13		0.53kg	
	3	AC/DC12V	2.776A	12V10W	T16x35 15S	9		0.61kg 0.61kg 0.61kg 0.61kg	● R-Red ● A-Amber ● G-Green
		AC/DC24V	1.543A	24V10W	T16x35 15S	10			
		AC110V	0.286A	110V10W	T16x35 15S	12			
		AC220V	0.140A	220V10W	T16x35 15S	13			
4	AC/DC12V	3.702A	12V10W	T16x35 15S	9	0.69kg 0.69kg 0.69kg 0.69kg	● R-Red ● A-Amber ● G-Green ● B-Blue		
	AC/DC24V	2.057A	24V10W	T16x35 15S	10				
	AC110V	0.382A	110V10W	T16x35 15S	12				
	AC220V	0.186A	220V10W	T16x35 15S	13				
5	AC/DC12V	4.627A	12V10W	T16x35 15S	9	0.77kg 0.77kg 0.77kg 0.77kg	● R-Red ● A-Amber ● G-Green ● B-Blue ● W-White		
	AC/DC24V	2.572A	24V10W	T16x35 15S	10				
	AC110V	0.477A	110V10W	T16x35 15S	12				
	AC220V	0.233A	220V10W	T16x35 15S	13				

※ Please refer to page 25 ST56MB type for signal/ audible line current.

Mounting Bracket

Standard	LB18	LW18	QZ18	SZ18	QL18	SL18	QLA18
Steel	Steel	PC	PC	Al	PC	Al	PC

※ Please refer to page 190-195 for detailed dimensions.

Customization

- Customized pole length available
- 2 buzzer sound types : Both prolonged (beep, beep) and staccato (beep, beep, beep) buzzer output available

Ordering Specification

ST56B	-	3	-	24	-	RAG	-	LW18
[Model number]		[Layer]		[Voltage]		[Color]		[Mounting bracket]
<ul style="list-style-type: none"> • ST56B • ST56B-BZ • ST56BF • ST56BF-BZ 		<ul style="list-style-type: none"> • 1-1Layer • 2-2Layers • 3-3Layers • 4-4Layers • 5-5Layers 		<ul style="list-style-type: none"> • 12-DC12V • 24-DC24V • 110-AC110V • 220-AC220V 		<ul style="list-style-type: none"> • R-Red • A-Amber • G-Green • B-Blue • W-White 		<ul style="list-style-type: none"> • None -Standard • Bracket -LB18 -LW18 -QZ18 -SZ18 -QL18 -SL18 -LA18

ST56MB/ ST56B

Ø56mm Bulb Steady/Flashing Tower Lights

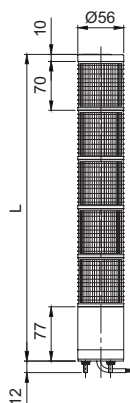


Technical Diagram

(Units : mm)

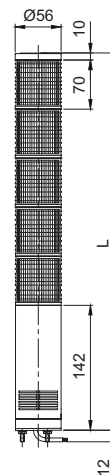
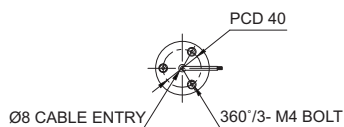
ST56MB : AC/DC
ST56MB-BZ : AC/DC
ST56MBF : AC/DC

ST56MBF-BZ : AC/DC



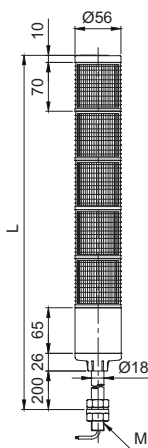
LAYER	L
1	157
2	227
3	297
4	367
5	437

LAYER	L
1	222
2	292
3	362
4	432
5	502



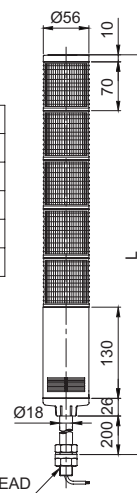
ST56B : AC/DC
ST56B-BZ : AC/DC
ST56BF : AC/DC

ST56BF-BZ : AC/DC



LAYER	L
1	371
2	441
3	511
4	581
5	651

LAYER	L
1	436
2	506
3	576
4	646
5	716



Wiring Instructions

- External power line : UL1015 AWG18(0.75sq)×2C 400mm
- External signal line : UL1007 AWG22(0.3sq) 400mm

* Please refer to page 31 for detailed wiring instructions.

ST45B/ ST56B/ ST80B series

Bulb Steady/Flashing Tower Lights

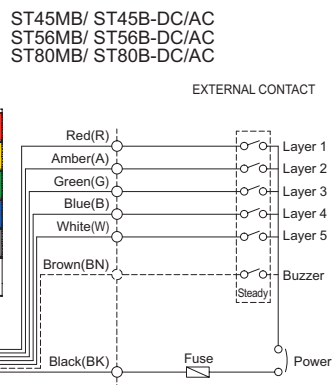


Wiring Instructions

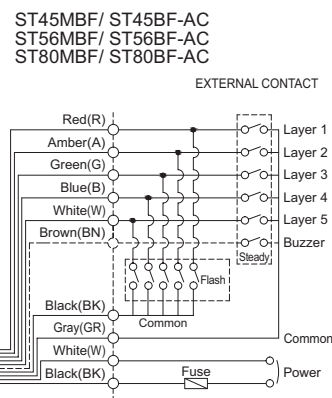
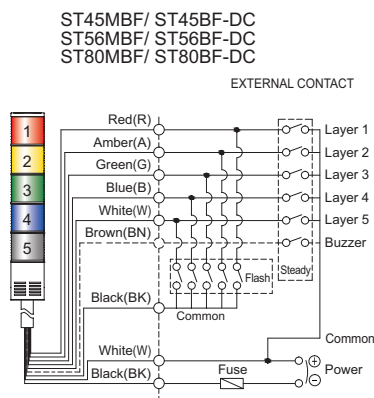
- Please wire by following below instructions for ST45MB/ ST45B, ST56MB/ ST56B and ST80MB/ ST80B series.
- Bulb tower lights do not allow transistor wiring. Please use external contact.

External contact

Steady



Steady/
Flashing



- External power line : UL1015 AWG18(0.75sq)×2C 400mm
- External Signal line : UL1007 AWG22(0.3sq) 400mm

