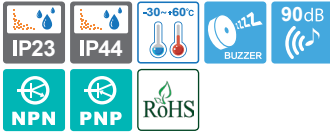


STC80L

Ø80mm Multiple Color LED Steady/Flashing Tower Lights



- STC80L** LED Steady
- STC80L-BZ** Built-in Buzzer LED Steady
- STC80LF** LED Steady/Flashing
- STC80LF-BZ** Built-in Buzzer LED Steady/Flashing

STC80L Ø80mm Pole Mount, Multiple Color LED Steady/Flashing

Model number	Layers	Voltage	Current	Certificates	Weight	Color
STC80L STC80L-BZ STC80LF STC80LF-BZ	2	AC/DC12V AC/DC24V AC110V AC220V	0.333A 0.277A 0.073A 0.036A	CE DC24V only	0.40kg	<ul style="list-style-type: none"> ● R-Red ● G-Green
	3	AC/DC12V AC/DC24V AC110V AC220V	0.277A 0.188A 0.057A 0.028A			<ul style="list-style-type: none"> ● R-Red ● A-Amber ● G-Green



STC80L series



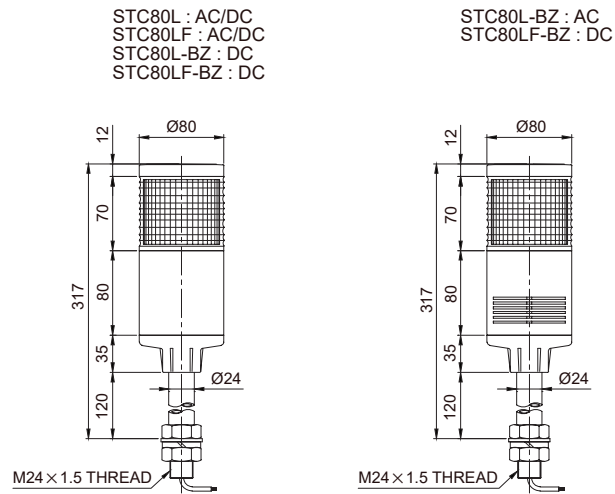
40mm lens height

Standard height of lens is 70mm. 40mm lens can optionally be provided. (Model number : STC80EL)



Technical Diagram

(Units : mm)



Wiring Instructions

- External power line standard : UL1015 AWG18(0.75sq)×2C 400mm
- Signal line standard : UL1007 AWG22(0.3sq) 400mm
- ※ Please refer to page 271 for detailed wiring instructions.



Customization

- 2 buzzer sound types : Both prolonged (beep, beep) and staccato (beep, beep, beep) buzzer output available
- Customized color arrangement available
- Customized pole length available
- 40mm lens height (Model number : STC80EL)



Mounting Bracket

Standard	LB24	LW24	QZ24
Steel	Steel	PC	PC
SZ24	QL24	SL24	QLA24
Al	PC	Al	PC

※ Please refer to page 32-37 for detailed dimensions.



Ordering Specification

STC80L	-	3	-	220	-	RAG	-	LW24
[Model number]		[Layers]		[Voltage]		[Color]		[Mounting bracket]
<ul style="list-style-type: none"> • STC80L • STC80L-BZ • STC80LF • STC80LF-BZ 		<ul style="list-style-type: none"> • 2-2 Colors • 3-3 Colors 		<ul style="list-style-type: none"> • 12-DC12V • 24-DC24V • 110-AC110V • 220-AC220V 		<ul style="list-style-type: none"> ● R-Red ● A-Amber ● G-Green 		<ul style="list-style-type: none"> • None • -Standard • -Bracket -LB24 -LW24 -QZ24 -SZ24 -QL24 -SL24 -QLA24

STC series

Multiple Color LED Steady/Flashing Tower Lights



Wiring Instructions

- STC series can be wired by using both external contact and transistor.
- In case of wiring by transistor, please make sure if it is NPN type or PNP type. Please carefully follow wiring instruction below.
- Product can be wired regardless of polarity.

	External Contact	Transistor
DC Steady	<p>STC45ML/ STC45L-DC STC56ML/ STC56L/ STC56MEL/ STC56EL-DC STC80ML/ STC80L/ STC80MEL/ STC80EL-DC</p> <p>EXTERNAL CONTACT</p>	<p>STC45ML/ STC45L-DC STC56ML/ STC56L/ STC56MEL/ STC56EL-DC STC80ML/ STC80L/ STC80MEL/ STC80EL-DC</p> <p>EXTERNAL TRANSISTOR-NPN EXTERNAL TRANSISTOR-PNP</p>
DC Steady/Flashing	<p>STC45MLF/ STC45LF-DC STC56MLF/ STC56LF/ STC56MELF/ STC56ELF-DC STC80MLF/ STC80LF/ STC80MELF/ STC80ELF-DC</p> <p>EXTERNAL CONTACT</p>	<p>STC45MLF/ STC45LF-DC STC56MLF/ STC56LF/ STC56MELF/ STC56ELF-DC STC80MLF/ STC80LF/ STC80MELF/ STC80ELF-DC</p> <p>EXTERNAL TRANSISTOR-PNP</p>
AC Steady	<p>STC45ML/ STC45L-AC STC56ML/ STC56L/ STC56MEL/ STC56EL-AC STC80ML/ STC80L/ STC80MEL/ STC80EL-AC</p> <p>EXTERNAL CONTACT</p>	
AC Steady/Flashing	<p>STC45MLF/ STC45LF-AC STC56MLF/ STC56LF/ STC56MELF/ STC56ELF-AC STC80MLF/ STC80LF/ STC80MELF/ STC80ELF-AC</p> <p>EXTERNAL CONTACT</p>	<p>STC45MLF/ STC45LF-AC STC56MLF/ STC56LF/ STC56MELF/ STC56ELF-AC STC80MLF/ STC80LF/ STC80MELF/ STC80ELF-AC</p> <p>EXTERNAL TRANSISTOR-PNP</p>

- DC steady type : External power line and signal line standard UL1007 AWG22(0.3sq) 400mm
- AC steady, AC/DC steady/flashing type : External power line standard UL1015 AWG18(0.75sq)×2C 400mm
Signal line standard : UL1007 AWG22(0.3sq) 400mm



Warning/
Signal/
Stackable



Signal &
Electric Horn/
Speakers



Vessels and
Heavy-Duty
Equipment



Explosion
Proof



Warning
Light Bar



Aviation
Obstruction
Lights



Signal Tower
Lights



USB/ETN
Signal Tower
Lights



Electric Horn/
Speakers



Industrial
LED Lights