

Q60L series

Ø60mm LED Steady/ Flashing Signal Lights



Q60L



Q60LW

Wall mount type model allows for contained and tidy wiring with no exposed wires.

Common Specifications(Q60L/ Q60LW/ Q60LP)

- Small-sized signal lights of 60mm diameter with attractive appearance
- Shock and vibration-resistant, maintenance reduced with long-lasting energy-efficient LED light bulbs
- Selectable mounts available depending on your application environment (direct mount, wall mount, pole mount)
- Materials : Lens-PC, Housing-ABS, Mounting bracket-PC
- Features high visibility with special diffusive lens and direct LED light distribution system
- Built-in buzzer available (Volume : Max 80dB at 1m)
- Built-in switch for selection between steady and flashing light mode
- Flashing rate : 60-80 flashes/min
- Ambient operating temperature : -30°C to +50°C
- Protection rating : IP65
- Certificates : CE Compliant, UL Listed
- Compliant with RoHS directive

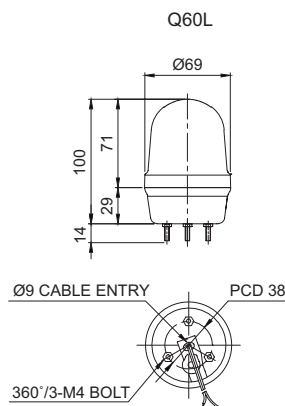
Model number	Voltage	Current	Certificates	Weight	Color
Q60L Q60LW Q60LP	DC12V-24V	Max 0.140A	CE	• Q60L-0.13kg • Q60LW-0.45kg	• R-Red • A-Amber
	AC110V-220V	Max 0.045A	UL DC24V only	• Q60LP-1.06kg (Weight Above Include QZ18)	• G-Green • B-Blue

※ DC type model has a free-voltage range of 10V-30V.
 ※ AC type model has a free-voltage range of 100V-240V.

Q60L Direct Mount LED Steady/ Flashing Signal Light

- Direct mount type with the three bolts/screws located on the bottom of the product

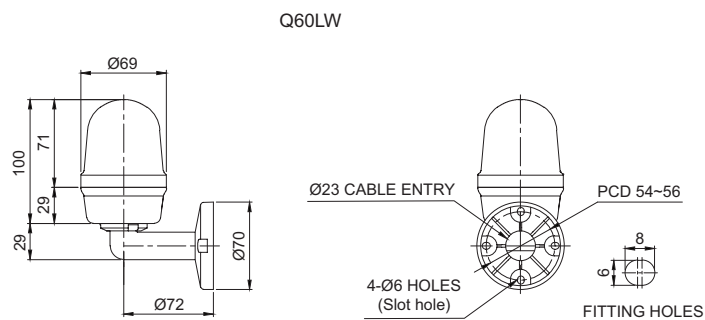
Technical Diagram (Units : mm)



Q60LW Wall Mount LED Steady/ Flashing Signal Light

- Wall mount type with the bracket equipped

Technical Diagram (Units : mm)



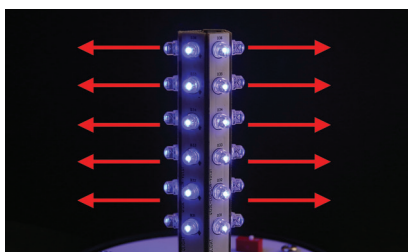
Q60L series

Ø60mm LED Steady/ Flashing Signal Lights



Q60LP

The picture for QZ18 equipped



Direct Light Distribution LED Type (Q60L)

High brightness LED with a direct light distribution system makes the signal bright and clear; visible even from long distances.

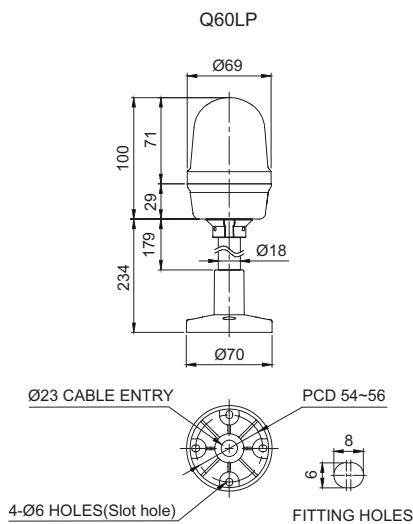
Q60LP Pole Mount LED Steady/ Flashing Signal Light

- Pole mount type
- Various mounting options are available



Technical Diagram

(Units : mm)



Wiring Instructions

- External power line standard : UL1015 AWG18(0.75sq)×2C 400mm
- Product can be wired regardless of polarity



Mounting Bracket

Standard	QZ18	SZ18	SL18	QLA18
Steel	PC	Al	Al	PC



* Please refer to page152-155 for detailed dimension of mount bracket.



Customization

- Customized pole length available



Ordering Specification

Q60LP	-	BZ	-	12/24	-	R	-	QZ18
[Model number]		[Buzzer option]		[Voltage]		[Color]		[mount bracket]
• Q60L • Q60LW • Q60LP		• None - No buzzer • BZ - Built-in buzzer		• 12/24 -DC12V-24V • 110/220 -AC110V-220V		• R-Red • A-Amber • G-Green • B-Blue		• None - Standard • Bracket - QZ18 - SZ18 - SL18 - QLA18