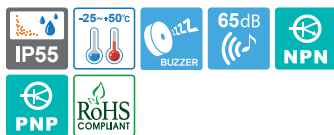


QLTF

LED flash indicator



QLTF

QLTF LED flash indicator

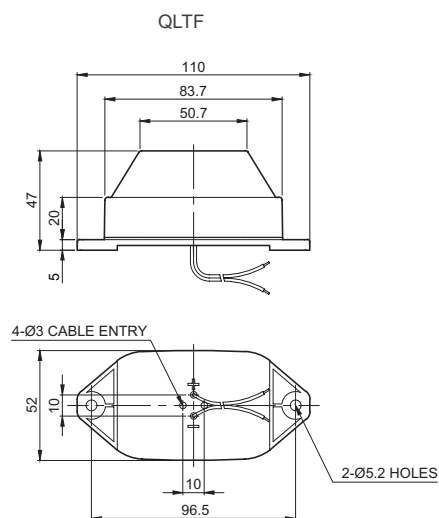
- Compact size with small LED steady/flash light
- Excellent visibility by adopting special diffused lens
- The smallest model suitable for OA equipment with narrow mounting space, small-sized machines, and simple automatic equipment produced in mass production
- Flashes rate: 50-70/min
- Volume: Max. 65dB at 1m
- Material: Lens-AS, Body-ABS
- Ambient temperature: -30°C - +50°C
- Protection class: IP55
- RoHS compliant

| Model number | Voltage | Current | Certificates | Weight | Color |
|--------------|-----------|-------------|--------------|--------|--|
| QLTF | DC24V | 0.070A | CE | 0.08kg | <ul style="list-style-type: none"> • R-Red • A-Amber |
| | DC12V-24V | Max. 0.125A | | | |



Technical Diagram

(Units : mm)



Wiring Instructions

- External power line standard - UL1015 AWG18(0.75sq)×2C 400mm
- Product can be wired regardless of polarity.



Ordering Specification

| | | | | |
|----------------|---|---|---|--|
| QLTF | - | 12/24 | - | A |
| [Model number] | | [Voltage] | | [Color] |
| | | | | |
| • QLTF | | <ul style="list-style-type: none"> • 24-DC24V • 12/24-DC12V-24V | | <ul style="list-style-type: none"> • R-Red • A-Amber |