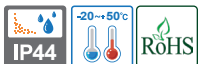


# S80 series

## Ø80mm LED Revolving Warning Lights



**S80DRK**



**S80LRK**

### **S80DRK/ S80LRK** LED Revolving Warning Lights

- Ø80mm LED revolving warning lights
- Adopts a special power transmission system that reduces noise and wear
- Circular mount bracket allows convenient installation
- No buzzer allowed
- Revolving speed : 120-140RPM
- Materials : Lens-AS, Housing-ABS, Reflector-Heat resistant ABS
- Ambient operating temperature : -20°C to +50°C
- Protection rating : IP44
- Compliant with RoHS directive



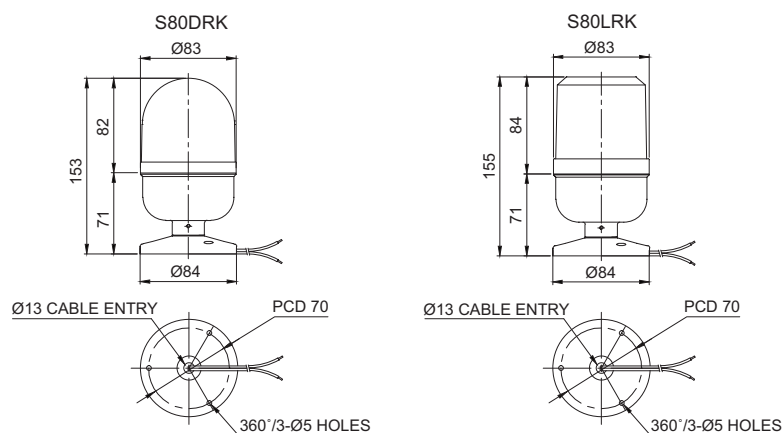
#### Specifications

Model number	Voltage	Current	Certificates	Weight	Color
S80DRK S80LRK	DC12V	0.183A	-	0.24kg	<ul style="list-style-type: none"> <li>• R-Red</li> <li>• A-Amber</li> <li>• G-Green</li> <li>• B-Blue</li> </ul>
	DC24V	0.127A		0.24kg	
	AC110V	0.035A		0.43kg	
	AC220V	0.017A		0.43kg	



#### Technical Diagram

(Units : mm)



#### Wiring Instructions

- External power line standard : UL1015 AWG18(0.75sq)×2C 400mm
- DC Type : Black output line is negative(-).
- AC compatible type shall be connected the black and white wires when using AC110V, and the black and red wires when using AC220V.



#### Customization

- Pole mount type

	Standard	QZ18	SZ18	SL18
	Steel	PC	Al	Al



※ Please refer to page152-155 for detailed dimension of mount bracket

- AC compatible type: Could select AC110V or AC220V by connecting 2 power lines of 3 wires each.



#### Ordering Specification

S80DRK	-	24	-	R
[Model number]		[Voltage]		[Color]
<ul style="list-style-type: none"> <li>• S80DRK</li> <li>• S80LRK</li> </ul>		<ul style="list-style-type: none"> <li>• 12-DC12V</li> <li>• 24-DC24V</li> <li>• 110-AC110V</li> <li>• 220-AC220V</li> </ul>		<ul style="list-style-type: none"> <li>• R-Red</li> <li>• A-Amber</li> <li>• G-Green</li> <li>• B-Blue</li> </ul>

#### Replacement for old version

S80DRK substitutes for S80LRK, so they have same dimension, function and feature.