

S80 series

Ø80mm Bulb Revolving Warning Lights



S80RK



S80UK

S80RK/ S80UK Bulb Revolving Warning Lights

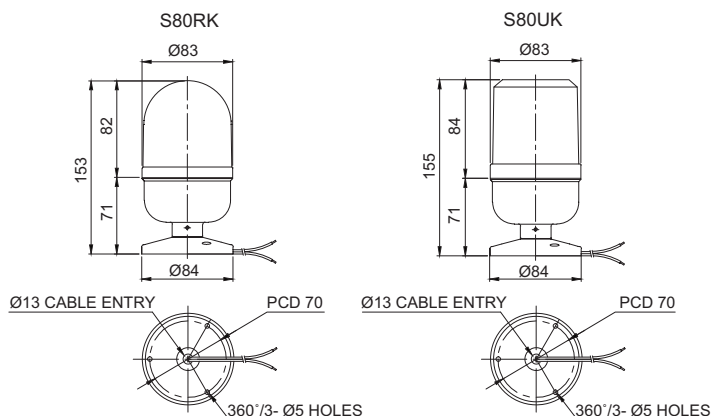
- Ø80mm bulb revolving warning lights
- Adopts a special power transmission system that reduces noise and wear
- Circular mount bracket allows convenient installation
- No buzzer options available
- Revolving speed : 120-140RPM
- Materials : Lens-AS, Housing-ABS, Reflector-Heat resistant ABS
- Ambient operating temperature : -20°C to +50°C
- Protection rating : IP44

Specifications

Model number	Voltage	Current	Bulb			Certificates	Weight	Color
			Spec	Standard	Parts no			
S80RK	DC12V	0.484A	12V5W	T16x35 15S	5	CE DC only	0.26kg	<ul style="list-style-type: none"> • R-Red • A-Amber • G-Green • B-Blue
	DC24V	0.310A	24V5W	T16x35 15S	6		0.26kg	
S80UK	AC110V	0.080A	12V5W	T16x35 15S	5		0.48kg	
	AC220V	0.040A	12V5W	T16x35 15S	5		0.48kg	

Technical Diagram

(Units : mm)



Wiring Instructions

- External power line standard : UL1015 AWG18(0.75sq)×2C 400mm
- DC Type : Black output line is negative(-).
- AC compatible type shall be connected the black and white wires when using AC110V, and the black and red wires when using AC220V.

Customization

- Pole mount type

Standard	QZ18	SZ18	SL18
Steel	PC	Al	Al



※ Please refer to page152-155 for detailed dimension of mount bracket

- AC compatible type: Could select AC110V or AC220V by connecting 2 power lines of 3 wires each.

Ordering Specification

S80RK	-	24	-	R
[Model number]		[Voltage]		[Color]
• S80RK • S80UK		• 12-DC12V • 24-DC24V • 110-AC110V • 220-AC220V		• R-Red • A-Amber • G-Green • B-Blue