

# S80 series

## Ø80mm LED Strobe Signal Light for Forklift



### Enhanced visibility by adopting a diffusion lens



S80LS

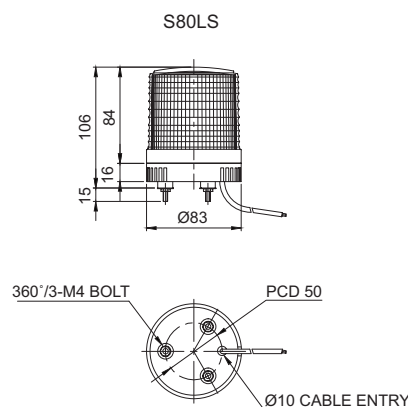
### S80LS LED Strobe Signal Light for Forklifts

- Ø80mm LED strobe signal light
- Extremely bright signal light that reduces attenuation of the signal light
- Excellent visibility in daytime as bulb or xenon lamp
- Vibration and water resistance product
- Flashing rate : 60-80 flashes/min
- Materials : Lens-PC, Housing-ABS
- Ambient operating temperature : -30°C to +50°C
- Protect rating : IP65
- Certificates : CE Compliant, UL Listed

Specifications					
Model number	Voltage	Current	Certificates	Weight	Color
S80LS	DC12V-24V	Max 0.160A	  DC24V only	0.25kg	<ul style="list-style-type: none"> <li><span style="color: red;">•</span> R-Red</li> <li><span style="color: yellow;">•</span> A-Amber</li> <li><span style="color: green;">•</span> G-Green</li> <li><span style="color: blue;">•</span> B-Blue</li> </ul>

※ DC type allows free voltage with range of 10V-30V.

### Technical Diagram (Units : mm)



S80LS has an extremely bright signal light that reduces signal attenuation under direct sunlight. Therefore, signal light output of this lamp has excellent visibility similar to a bulb or xenon lamp in daytime.

### Wiring Instructions

- External power line standard : UL2464 AWG20(0.5sq) × 2C 400mm
- Product can be wired regardless of polarity

### Ordering Specification

<b>S80LS</b>	-	<b>12/24</b>	-	<b>R</b>
[Model number]		[Voltage]		[Color]
• S80LS		• 12/24-DC12V-24V		<ul style="list-style-type: none"> <li><span style="color: red;">•</span> R-Red</li> <li><span style="color: yellow;">•</span> A-Amber</li> <li><span style="color: green;">•</span> G-Green</li> <li><span style="color: blue;">•</span> B-Blue</li> </ul>