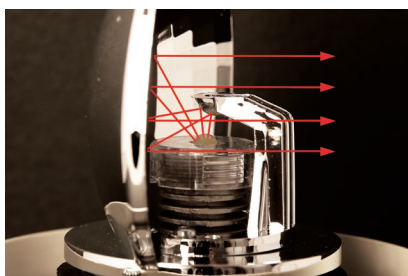


S125 series

Ø125mm LED Revolving Warning Lights



S125LR



Feature of LED revolving warning light

LED revolving warning light has Qlight's distinctive LED light collecting system and special multifaceted reflector allowing excellent omni-directional visibility.



Wiring Instructions

- External power line standard : UL1015 AWG18(0.75sq)×2C 400mm
- DC Type: Black output line is negative(-)
- AC compatible type shall be connected the black and white wires when using AC110V, and the black and red wires when using AC220V.



Common Specifications(S125LR/ S125MLR)

- Ø125mm standard LED revolving warning lights
- Excellent omni-directional visibility with LED light collecting system and special multifaceted reflector
- Built-in buzzer available(Volume : Max 90dB at 1m)
- Revolving speed : 120-140RPM
- Materials : Lens - AS, Housing - ABS, Reflector - Heat resistant ABS
- Ambient operating temperature : -20°C to +50°C



S125LR LED Revolving Warning Light

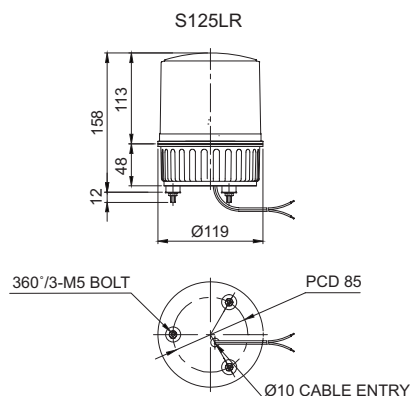
- Protection rating : IP44
- Compliant with RoHS directive

Model number	Voltage	Current	Certificates	Weight	Color
S125LR	DC12V	0.422A	-	0.43kg	<ul style="list-style-type: none"> ● R-Red ● A-Amber ● G-Green ● B-Blue
	DC24V	0.266A		0.43kg	
	AC110V	0.082A		0.66kg	
	AC220V	0.041A		0.66kg	



Technical Diagram

(Units : mm)



Customization

- 2 buzzer sound types : Both prolonged(beep, beep) and staccato(beep, beep, beep) buzzer output available
- AC compatible type: Could select AC110V or AC220V by connecting 2 power lines of 3 wires each.

- Same design with S125R (Model number : S125RLR)
- Wall mount bracket options : Bracket structure allows for threading through the bracket hole or into the wall mount



S125RLR



Wall Mount Bracket
SWP125



Wall Mount Bracket
SWM125



Ordering Specification

S125LR	-	BZ	-	220	-	R
[Model number]		[Buzzer option]		[Voltage]		[Color]
• S125LR		<ul style="list-style-type: none"> • None • No buzzer • BZ • Built-in buzzer 		<ul style="list-style-type: none"> • 12-DC12V • 24-DC24V • 110-AC110V • 220-AC220V 		<ul style="list-style-type: none"> ● R-Red ● A-Amber ● G-Green ● B-Blue