

S125 series

Ø125mm LED Steady/ Flashing Signal Lights



S125L



S125L LED Steady/ Flashing Signal Light

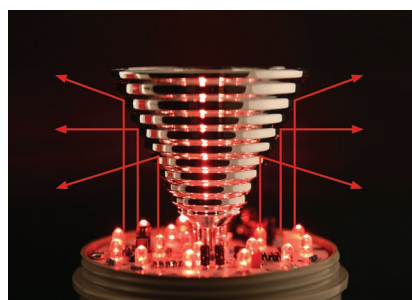
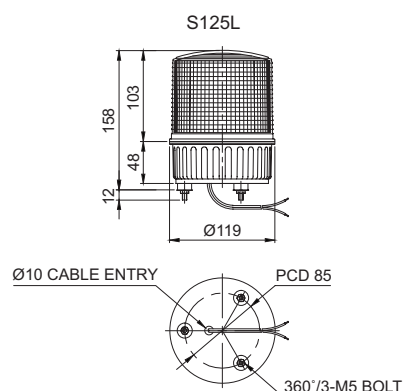
- Ø125mm LED steady/ flashing signal light
- Shock and vibration-resistant and easy maintenance with long-lasting LED light source
- Built-in switch for selection between steady and flashing mode
- Built-in buzzer type available (Volume : Max 90dB at 1m)
- Flashing rate : 60-80 flashes/min
- Material : Lens - AS, Housing - ABS, Reflector - Heat resistant ABS
- Ambient operating temperature : -30°C to +50°C
- Protection rating : IP44
- Certificates : KIMM, CE Compliant
- Compliant with RoHS directive

Specifications

Model number	Voltage	Current	Certificates	Weight	Color
S125L	DC12V-24V	Max.0.300A		0.33kg	• R-Red
	AC110V	0.060A		0.51kg	• A-Amber
	AC220V	0.030A		0.51kg	• G-Green • B-Blue

Technical Diagram

(Units : mm)



Feature of indirect light diffusing system

Qlight's Indirect light diffusing system emits an intense and constant level of signal light via a multi-tiered reflector throughout the lens.

Wiring Instructions

- External power line standard : UL1015 AWG18(0.75sq)×2C 400mm
- Product can be wired regardless of polarity

Customization

- 2 buzzer sound types : Both prolonged (beep, beep) and staccato (beep, beep, beep) buzzer output available
- Wall mount bracket options :
Bracket structure allows for threading through the bracket hole or into the wall mount



Ordering Specification

S125L	-	BZ	-	220	-	R
[Model number]		[Buzzer option]		[Voltage]		[Color]
• S125L		• None • No buzzer • BZ • Built-in buzzer		• 12/24-DC12V-24V • 110-AC110V • 220-AC220V		• R-Red • A-Amber • G-Green • B-Blue