

# S125LSE



S125LSE

## PRODUCT SPECIFICATION

S125LSE

**Materials** Lens-AS, Housing-ABS

**Ambient operating temperature** -30°C to +50°C

**Protection rating** IP54

**Flashing rate** 60-80 flashes/min

- Ø125mm LED strobe signal lights
- Extremely bright signal light that reduces attenuation of the signal light
- Excellent visibility in daytime as bulb or xenon lamp
- Vibration and water resistance product

### S125LSE LED Strobe Signal Light

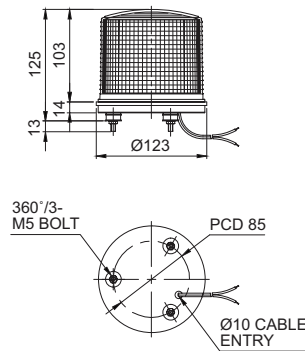
Model number	Voltage	Current	Certificates	Weight	Color
S125LSE	DC12V-24V	Max.1.000A	CE	0.33kg	<ul style="list-style-type: none"> <li><span style="color: red;">●</span> R-Red</li> <li><span style="color: yellow;">●</span> A-Amber</li> <li><span style="color: green;">●</span> G-Green</li> <li><span style="color: blue;">●</span> B-Blue</li> </ul>

※ DC type model has a free-voltage range of 10V-30V

### Technical Diagram

Units: mm

·S125LSE



### Wiring Instructions

- External power line - UL1015 AWG18(0.75sq) x 2C 400mm
- This product can be wired regardless of polarity.

### Customization

- Wall mount bracket options: Bracket structure allows for threading through the bracket hole or into the wall mount



Wall Mount Bracket SWP125



Wall Mount Bracket SWM125

### Ordering Specification

S125LSE	-	12/24	-	R
[Model number]		[Voltage]		[Color]
S125LSE		12/24-DC12V-24V		<ul style="list-style-type: none"> <li><span style="color: red;">●</span> R-Red</li> <li><span style="color: yellow;">●</span> A-Amber</li> <li><span style="color: green;">●</span> G-Green</li> <li><span style="color: blue;">●</span> B-Blue</li> </ul>