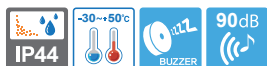


# S150 series

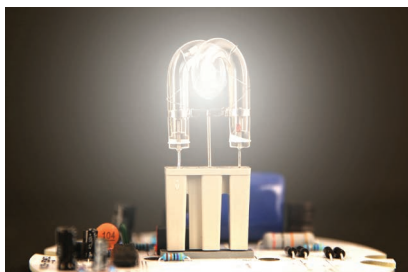
## Ø150mm Large Sized Warning Lights



S150UL/ S150US



S150UL-FT/ S150US-FT



### Hyper illuminance xenon lamp

- S150US/S150US-FT can be optionally equipped with a hyper illuminance xenon lamp bulb BH0647(G) upon the customers request.  
(model number : S150UHS/S150UHS-FT)
- Dimension, mounting hole and other functions are identical with normal type.



### Common Specifications(S150UL/ S150US)

- Mounting bracket allows convenient installation in case of XXX-FT type
- Built-in buzzer available (Volume : Max 90dB at 1m)
- Flashing rate : 60-80 flashes/min
- Materials : Lens - PC, Housing - ABS, Reflector - Heat resistant ABS, Mounting bracket - STS
- Ambient operating temperature : -30°C to +50°C
- Protection rating : IP44



### S150UL/ S150UL-FT LED Steady/ Flashing Signal Lights

- Built-in switch for selection between steady and flashing mode

Model number	Voltage	Current	Certificates	Weight	Color
S150UL S150UL-FT	DC12V-24V	Max.0.300A	-	0.52kg	● R-Red
	AC110V	0.060A		0.92kg	● A-Amber
	AC220V	0.030A		0.92kg	● G-Green ● B-Blue



### S150US/ S150US-FT Xenon Lamp Strobe Signal Lights

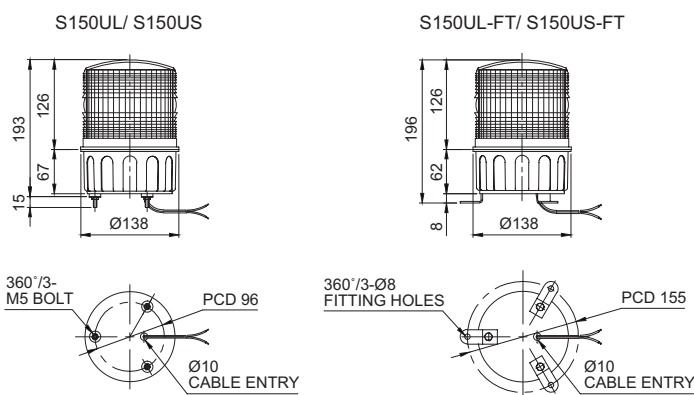
- Connector type lamp socket allows convenient lamp replacement

Model number	Voltage	Current	Bulb			Certificates	Weight	Color	
			Spec	Standard	Parts no				
S150US	DC12V -24V	Max. 1.000A	200V -550V	EUB0641 -1A(G)	48	-	0.56kg	● R-Red	
S150US-FT	AC110V	0.135A		U Type				0.54kg	● A-Amber
	AC220V	0.105A						0.54kg	● G-Green ● B-Blue



### Technical Diagram

(Units : mm)



### Wiring Instructions

- External power line standard : UL1015 AWG18(0.75sq)×2C 400mm
- Product can be wired regardless of polarity



### Customization

- 2 buzzer sound types : Both prolonged(beep, beep) and staccato(beep, beep, beep) buzzer output available
- Hyper illuminance xenon lamp type(model number : S150UHS/S150UHS-FT)



### Ordering Specification

<b>S150UL</b>	-	<b>BZ</b>	-	<b>220</b>	-	<b>R</b>
[Model number]		[Buzzer option]		[Voltage]		[Color]
• S150UL • S150UL-FT • S150US • S150US-FT		• None • No buzzer • BZ • Built-in buzzer		• 12/24-DC12V-24V • 110-AC110V • 220-AC220V		• R-Red • A-Amber • G-Green • B-Blue