

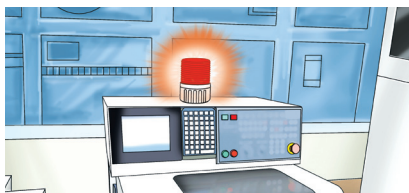
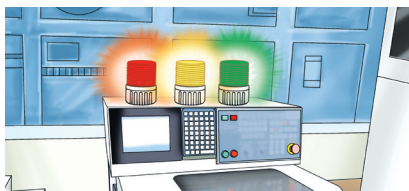
# SMCL series

Multiple Color LED Steady/ Flashing Signal Lights



## Signal lights that produces two or three multicolored LED signals

This budget model uses a multiple color LED light source to provide signals in two or three colors.



SMCL80



SMCL100



### Common Specifications(SMCL80/ SMCL100/ SMCL125)

- Ideal for locations where space requirements need one warning light to convey multiple color signals
- LED light distribution system with multi-tiered reflector provides uniformed light signals throughout the entire lens
- The subdued light provides a comfortable and stable viewing condition for operation in close proximity
- Built-in buzzer available(Volume : Max 90dB at 1m)
- Can select between steady/ flashing mode
- Flashing rate : 60-80 flashes/min
- Materials : Lens-AS, Body-ABS, Reflector-Heat resistant ABS
- Ambient operating temperature : -30°C to +50°C
- Protection rating : IP44
- Certificates : CECompliant
- Complaint with RoHS directive



### SMCL80 Ø80mm Multi-Color LED Steady/ Flashing Signal Light

Model number	Voltage	Current	Certificates	Weight	Color
SMCL80	DC12V	0.234A	CE DC24V only	0.18kg	<ul style="list-style-type: none"> <li>● R-Red</li> <li>● A-Amber</li> <li>● G-Green</li> </ul>
	DC24V	0.132A		0.18kg	
	AC110V	0.066A		0.28kg	
	AC220V	0.033A		0.28kg	



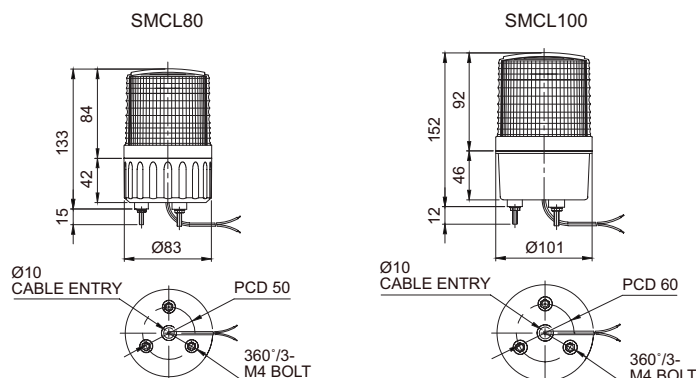
### SMCL100 Ø100mm Multi-Color LED Steady/ Flashing Signal Light

Model number	Voltage	Current	Certificates	Weight	Color
SMCL100	DC12V	0.387A	CE DC24V only	0.23kg	<ul style="list-style-type: none"> <li>● R-Red</li> <li>● A-Amber</li> <li>● G-Green</li> </ul>
	DC24V	0.212A		0.23kg	
	AC110V	0.093A		0.32kg	
	AC220V	0.046A		0.32kg	



### Technical Diagram

(Units : mm)



Warning/  
Signal/  
Stackable



Signal &  
Electric Horn/  
Speakers



Vessels and  
Heavy-Duty  
Equipment



Explosion  
Proof



Warning  
Light Bar



Aviation  
Obstruction  
Lights



Signal Tower  
Lights



USB/ETN  
Signal Tower  
Lights



Wireless  
Network  
System



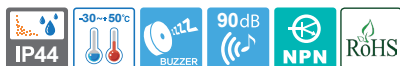
Electric Horn/  
Speakers



Industrial  
LED Lights

# SMCL series

## Multiple Color LED Steady/ Flashing Signal Lights

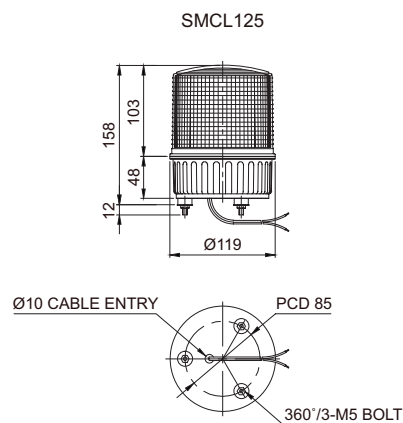


SMCL125

### SMCL125 Ø125mm Multi-Color LED Steady/ Flashing LED Signal Light

Model number	Voltage	Current	Certificates	Weight	Color
SMCL125	DC12V	0.410A	CE DC24V only	0.27kg	<ul style="list-style-type: none"> <li>● R-Red</li> <li>● A-Amber</li> <li>● G-Green</li> </ul>
	DC24V	0.227A		0.27kg	
	AC110V	0.104A		0.36kg	
	AC220V	0.052A		0.36kg	

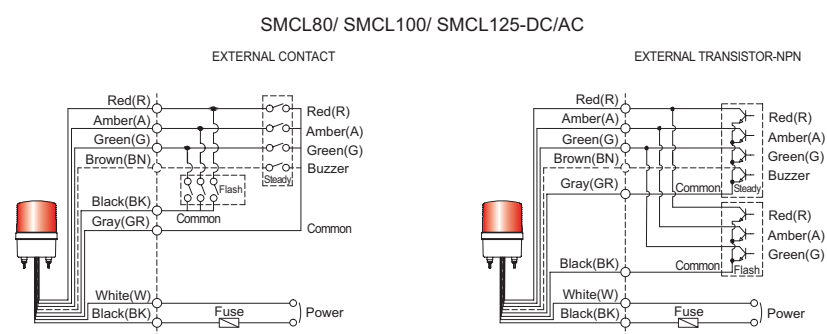
### Technical Diagram (Units : mm)



### Wiring Instructions

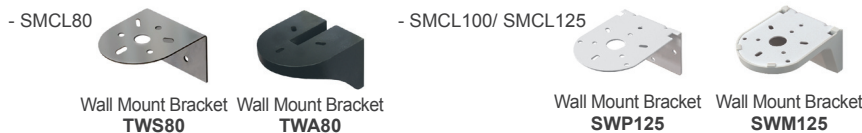
- SMCL type can be wired with external contacts and transistor
- Wiring to transistor, use the NPN transistor. Please wire properly based on wiring instructions
- External power line standard : UL1015 AWG18(0.75sq)×2C 400mm
- External signal line standard : UL1007 AWG22(0.3sq) 400mm
- Product can be wired regardless of polarity

### Wiring Instructions



### Accessories

- Wall mounting bracket options : Bracket structure allows for threading through the bracket hole or into the wall mount



### Ordering Specification

<b>SMCL100</b>	-	<b>BZ</b>	-	<b>3</b>	-	<b>220</b>	-	<b>RAG</b>
[Model number]		[Buzzer option]		[Color]		[Voltage]		[Color]
<ul style="list-style-type: none"> <li>• SMCL80</li> <li>• SMCL100</li> <li>• SMCL125</li> </ul>		<ul style="list-style-type: none"> <li>• None</li> <li>• No buzzer</li> <li>• BZ</li> <li>• Built-in buzzer</li> </ul>		<ul style="list-style-type: none"> <li>2-2colors</li> <li>3-3colors</li> </ul>		<ul style="list-style-type: none"> <li>• 12-DC12V</li> <li>• 24-DC24V</li> <li>• 110-AC110V</li> <li>• 220-AC220V</li> </ul>		<ul style="list-style-type: none"> <li>● R-Red</li> <li>● A-Amber</li> <li>● G-Green</li> </ul>