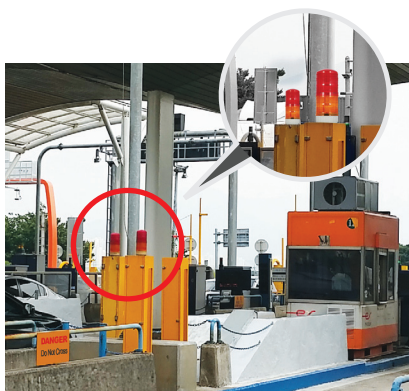


S125TL

Ø125mm Large-Sized Stackable Signal Light



S125TL



S125TL model applied in a freeway toll section.

S125TL LED Steady/ Flashing Signal Tower

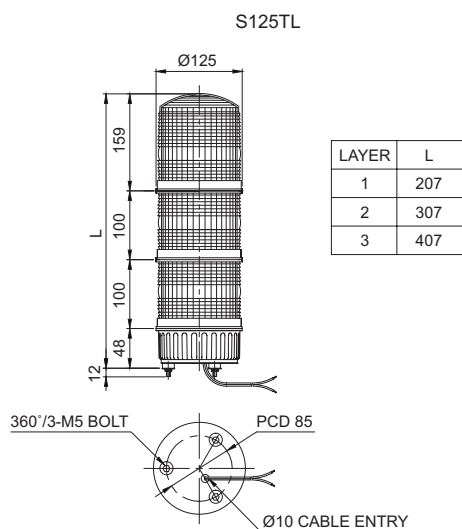
- Ø125mm large-sized stackable signal lights
- Large light emitting area and special light diffusing lens provides excellent long distance visibility
- Saves mounting space by stacking one, two, or three signal lenses
- Standard color arrangements
1Layer - ● Red
2Layers - ● Red ● Green
3Layers - ● Red ● Yellow ● Green
- The reflector with multi-tiered surface diffuses light over a wide area for uniform signal transmission
- The user selected color arrangement will be fixed
- Built-in switch for selection between steady and flashing mode
- Flashing rate : 60-80 flashes/min
- Materials : Lens-AS, Body-ABS, Reflector-Heat resistant ABS
- Ambient operating temperature : -30°C to +50°C
- Protection rating : IP44
- Compliant with RoHS directive

Specifications

Model number	Layer	Voltage	Current	Certificates	Weight	Color
S125TL	1	DC12V	0.300A	-	0.62kg	● R-Red
		DC24V	0.200A		0.62kg	
		AC110V	0.077A		0.84kg	
		AC220V	0.038A		0.84kg	
	2	DC12V	0.600A		0.88kg	● R-Red ● G-Green
		DC24V	0.400A		0.88kg	
		AC110V	0.106A		1.11kg	
		AC220V	0.053A		1.11kg	
	3	DC12V	0.900A		1.15kg	● R-Red ● A-Amber ● G-Green
		DC24V	0.600A		1.15kg	
		AC110V	0.140A		1.38kg	
		AC220V	0.070A		1.38kg	

Technical Diagram

(Units : mm)



Customization

- Customized color arrangements available
- User selected xenon strobe lamp type available upon request (Model number : S125TS)



Warning/
Signal/
Stackable



Signal &
Electric Horn/
Speakers



Vessels and
Heavy-Duty
Equipment



Explosion
Proof



Warning
Light Bar



Aviation
Obstruction
Lights



Signal Tower
Lights



USB/ETN
Signal Tower
Lights



Wireless
Network
System



Electric Horn/
Speakers



Industrial
LED Lights

S125TL

Ø125mm Large-Sized Stackable Signal Light

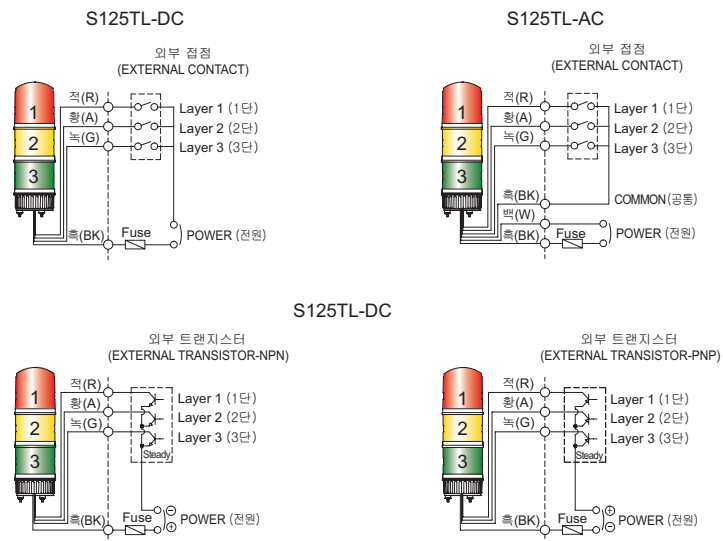


Please note for installation

- S125TL type can be wired with external contacts and transistors.
- Wiring to transistor, use the NPN transistor. Please wire properly based on technical diagram.
- S125TS which uses a xenon lamp can not be connected by using transistor. Please use an external contact.



Wiring Instructions



- External power line standard : UL1015 AWG18(0.75sq)×2C 400mm
- Signal line : UL1007 AWG22(0.3sq) 400mm
- DC type : Black output line is negative(-)



Ordering Specification

S125TL	-	3	-	24	-	RAG
[Model number]		[Layer]		[Voltage]		[Color]
• S125TL		• 1-1Layer • 2-2Layers • 3-3Layers		• 12-DC12V • 24-DC24V • 110-AC110V • 220-AC220V		• R-Red • A-Amber • G-Green