

QAD Series



PRODUCT SPECIFICATION

QAD80BZ | QAD100BZ
QAD125BZ

Materials Lens-PC, Body-ABS
Ambient operating temperature -30°C to +50°C
Protection rating IP65
Flashing rate 60-80 flashes/min
 (Built-in Steady-Flash selection switch)
Compliant with RoHS directive

- Combination of warning light and horn allow for both visual and audible signal transmission at once
- Siren buzzer sound output of Max 105dB
- Built-in high volume buzzer type



QAD125BZ

QAD80BZ Wall Mount Type LED Steady/Flash & Electric Horn

Model number	Voltage	Current	Sound Pattern and volume	Certificates	Weight	Color
QAD80BZ	DC12V	0.500A	·Buzzer Volume : Max. 105dB		0.75kg	● R-Red ● A-Amber ● G-Green ● B-Blue
	DC24V	0.270A			0.75kg	

QAD100BZ Wall Mount Type LED Steady/Flash & Electric Horn

Model number	Voltage	Current	Sound Pattern and volume	Certificates	Weight	Color	
QAD100BZ	DC12V	0.550A	·Buzzer Volume : Max. 105dB		0.98kg	● R-Red ● A-Amber ● G-Green ● B-Blue	
	DC24V	0.300A			DC only		1.01kg
	AC110V -220V	Max. 0.100A					

※ AC type model has a free-voltage range of 100V-240V.

QAD125BZ Wall Mount Type LED Steady/Flash & Electric Horn

Model number	Voltage	Current	Sound Pattern and volume	Certificates	Weight	Color	
QAD125BZ	DC12V	0.550A	·Buzzer Volume : Max. 105dB		1.22kg	● R-Red ● A-Amber ● G-Green ● B-Blue	
	DC24V	0.300A			DC only		1.27kg
	AC110V -220V	Max. 0.100A					

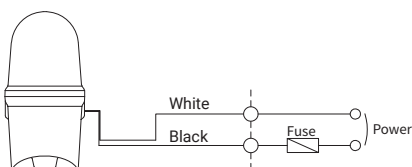
※ AC type model has a free-voltage range of 100V-240V.



QAD series buzzer and electric sound is rich and clear because the RESONANCE CHAMBER amplifies the sound.

Wiring Instructions

·QAD80BZ / QAD100BZ / QAD125BZ-AC/DC



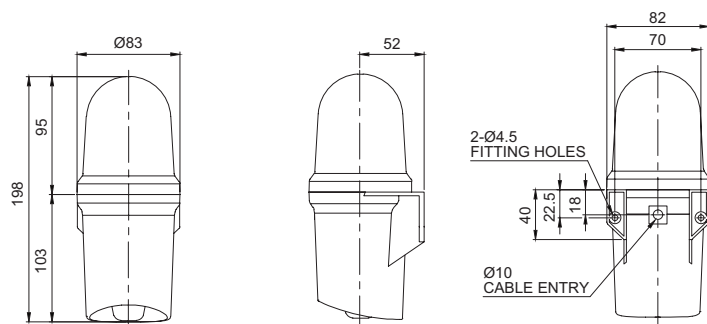
- External power line UL1015 AWG18(0.75sq) x 2C 400mm
- External signal line - UL1007 AWG22(0.3sq) 400mm
- This product can be wired regardless of polarity.

QAD Series

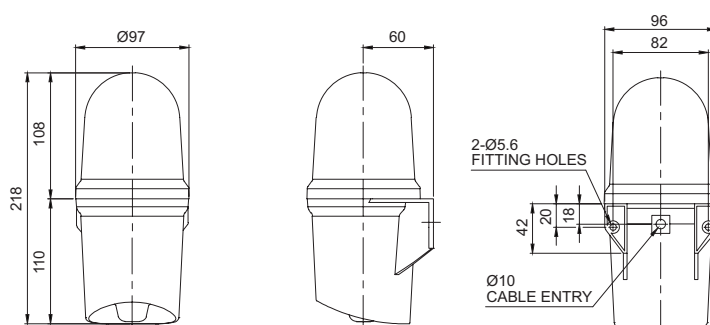
Technical Diagram

Units: mm

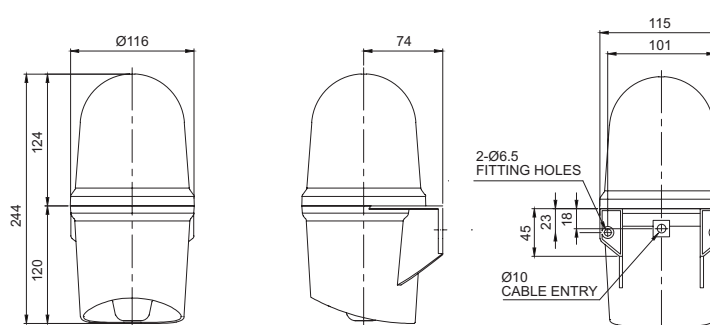
·QAD80BZ



·QAD100BZ



·QAD125H



Ordering Specification

QAD80BZ	-	24	-	R
[Model number] QAD80BZ		[Voltage] 12-DC12V 24-DC24V		[Color] ● R-Red ● A-Amber ● G-Green ● B-Blue ○ W-White
QAD100BZ QAD125H		12-DC12V 24-DC24V 110/220- AC110V-220V		