

S60AD Series



S60AD Series

PRODUCT SPECIFICATION

S60ADL | S60ADS
S60ADB

Materials Lens-AS, Body-ABS,
Reflector-Heat resistant ABS

Ambient operating temperature -30°C to +50°C

Volume Max. 95dB at 1m

Protection rating IP54

Revolving speed 60-80/min

- Ø60mm warning light with high volume built-in buzzer in a vertical configuration
- Cone-shaped horn helps diffuse sound to generate clear and distinctive sound signals
- Suitable for applications that require downward audible signals in elevated locations

S60ADL Signal/Warning Lights with High Volume Built-in Buzzer

Model number	Voltage	Current	Certificates	Weight	Color
S60ADL	DC12V	0.166A	CE	0.17kg	<ul style="list-style-type: none"> ● R-Red ● A-Amber ● G-Green ● B-Blue
	DC24V	0.125A		0.17kg	
	AC110V	0.043A		0.32kg	
	AC220V	0.022A		0.32kg	

- LED reflector with multi-tiered design provides an even and clear illumination throughout the entire lens
- Selectable between steady and flashing mode

S60ADS Signal/Warning Lights with High Volume Built-in Buzzer

Model number	Voltage	Current	Certificates	Weight	Color
S60ADS	DC12V	0.550A	CE	0.29kg	<ul style="list-style-type: none"> ● R-Red ● A-Amber ● G-Green ● B-Blue
	DC24V	0.266A		0.29kg	
	AC110V	0.088A		0.27kg	
	AC220V	0.044A		0.27kg	

S60ADB Signal/Warning Lights with High Volume Built-in Buzzer

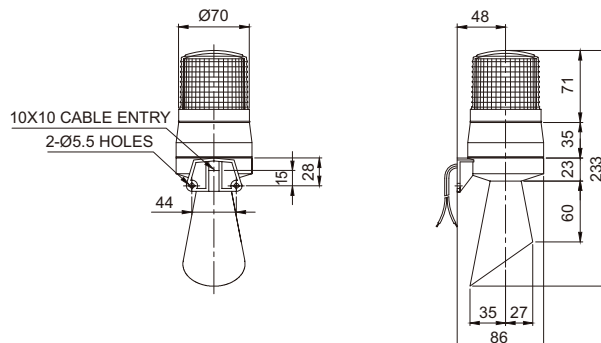
Model number	Voltage	Current	Bulb			Certificates	Weight	Color
			Spec	Standard	Parts no			
S60ADB	DC12V	1.008A	12V10W	T16x35 15S	9	CE	0.19kg	<ul style="list-style-type: none"> ● R-Red ● A-Amber ● G-Green ● B-Blue
	DC24V	0.556A	24V10W	T16x35 15S	10		0.19kg	
	AC110V	0.127A	110V10W	T16x35 15S	12		0.18kg	
	AC220V	0.064A	220V10W	T16x35 15S	13		0.18kg	

- Employs a special filament to prevent damage caused by possible voltage variations
- Selectable between steady and flashing mode

Technical Diagram

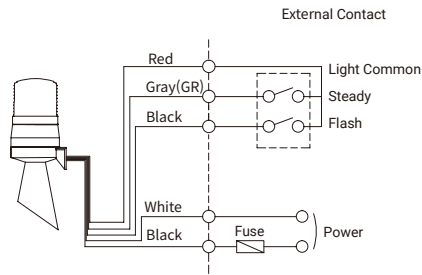
·S60ADL / S60ADS / S60ADB

Units: mm

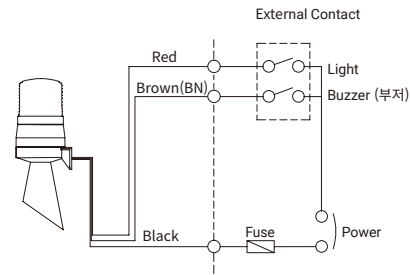


Wiring Instructions

·S60ADB-DC/AC



·S60ADL / S60ADS-DC/AC



- S60ADB: External power line UL1015 AWG18(0.75sq) x 2C 400mm
External signal line - UL1007 AWG22(0.3sq) 400mm
- S60ADL / S60ADS: External power line UL1007 AWG22(0.3sq) 400mm
- This product can be wired regardless of polarity.

Customization

- 2 buzzer sound types: Both prolonged(beep, beep) and staccato(beep, beep, beep) buzzer output available
- Strong buzzer type 105dB(model number: S60AD-HBZ)

Ordering Specification

S60ADL	-	220	-	R
[Model number]		[Voltage]		[Color]
S60ADL		12-DC12V		● R-Red
S60ADS		24-DC24V		● A-Amber
S60ADB		110-AC110V		● G-Green
		220-AC220V		● B-Blue