

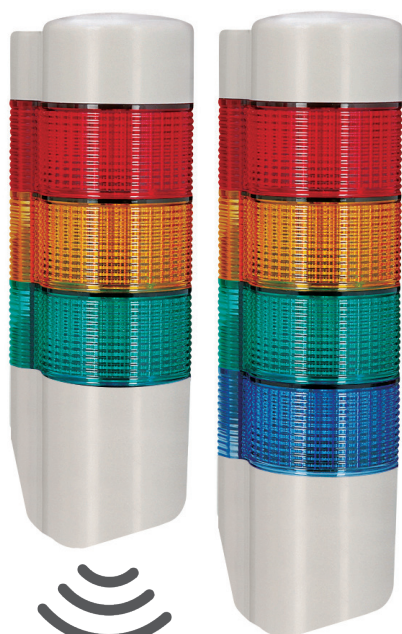
QWTD series

Wall Mount LED Signal Towers with Built-in Siren



Wall mount signal tower with built-in audible alarm is now available!

- **WS (5 Warning sounds)**
- **WP (5 Special warning sounds)**
- **WM (5 Melodies)**
- **WA (5 Alarms)**



QWTD series



QWTD Speaker

QWTD embedded speaker design minimizes risk of contamination from debris while providing efficient sound output.

QWTD Ø70mm Wall Mount LED Steady/Flashing Signal Towers

- Wall mount model that minimizes the chance of damage from moving obstacles or personnel
- Superior side visibility with round-shaped lens
- 5 selectable sound pattern combinations(5 warning sounds, 5 special warning sounds, 5 melodies, 5 alarms)
- Selectable between steady/flashing mode with proper wire arrangement
- Standard color arrangements
 - 1 Layer : ●Red
 - 2 Layers : ●Red ●Green
 - 3 Layers : ●Red ●Amber ●Green
 - 4 Layers : ●Red ●Amber ●Green ●Blue
 - 5 Layers : ●Red ●Amber ●Green ●Blue ●Clear White
- Available for customized color arrangements
- Built-in siren sound volume (Max 85dB at 1m)
- Materials : Lens-PC, Cover-ABS, Case-ABS
- Ambient operating temperature : -30°C to +50°C
- Protection rating : IP54
- Certificates : CE Compliant
- Compliant with RoHS directive

Specifications

Model number	Layer	Voltage	Current	Certificates	Weight	Color
QWTDL Steady QWTDLF Steady/ Flashing	1	AC/DC12V	0.486A	CE DC24V only	0.14kg	● R-Red
		AC/DC24V	0.340A		0.14kg	
		AC110V-220V	Max 0.105A		0.27kg	
	2	AC/DC12V	0.584A		0.18kg	● R-Red ● G-Green
		AC/DC24V	0.435A		0.18kg	
		AC110V-220V	Max 0.132A		0.32kg	
	3	AC/DC12V	0.682A		0.23kg	● R-Red ● A-Amber ● G-Green
		AC/DC24V	0.531A		0.23kg	
		AC110V-220V	Max 0.158A		0.36kg	
	4	AC/DC12V	0.780A		0.27kg	● R-Red ● A-Amber ● G-Green ● B-Blue
		AC/DC24V	0.627A		0.27kg	
		AC110V-220V	Max 0.185A		0.41kg	
	5	AC/DC12V	0.878A		0.32kg	● R-Red ● A-Amber ● G-Green ● B-Blue ● W-White
		AC/DC24V	0.723A		0.32kg	
		AC110V-220V	Max 0.211A		0.45kg	

- QWTD-WS** 5 Pre-Recorded Warning Sounds
- QWTD-WP** 5 Pre-Recorded Special Warning Sounds
- QWTD-WM** 5 Pre-Recorded Melodies
- QWTD-WA** 5 pre-Recorded Alarms

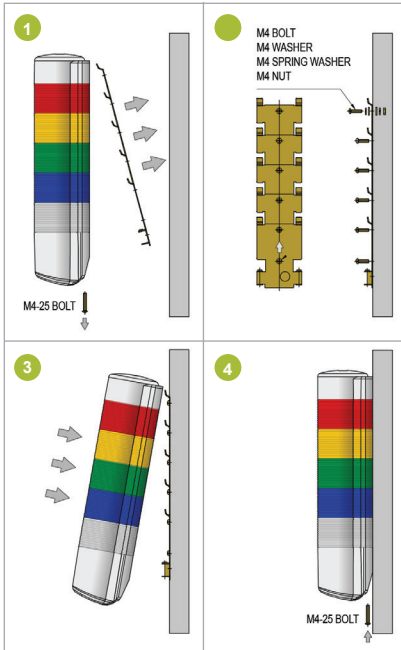
* AC type model has a free-voltage range of 100V-240V.

* Please refer to page144 for detailed information about selectable sound patterns.

QWTD series

Wall Mount LED Signal Towers with Built-in Siren

How to mount

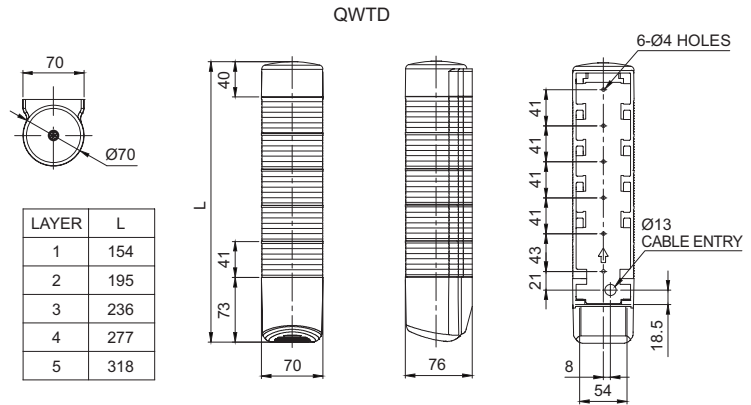


- 1 Dismantle body and mount by loosening two M4 bolts at the bottom of the lamp
- 2 Put the mounting bracket on the mounting hole
- 3 Hang the lamp on the mount
- 4 Fasten two M4 bolts at the bottom of the lamp after completing installation on the mount



Technical Diagram

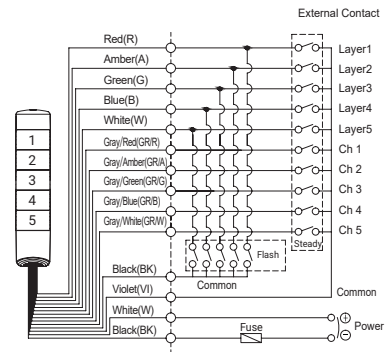
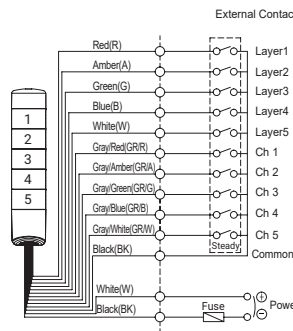
(Units : mm)



Wiring Instructions

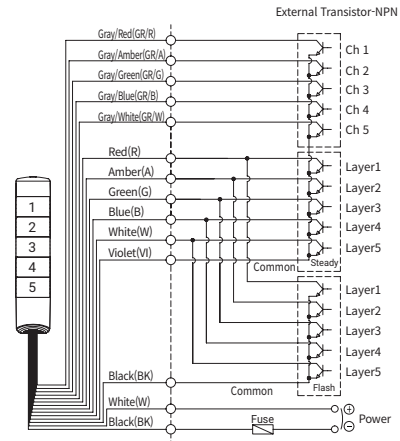
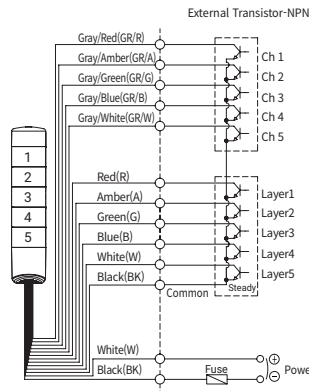
QWTDL-DC/AC(Steady)

QWTDLF-DC/AC(Steady/Flashing)



QWTDL-DC/AC(Steady)

QWTDLF-DC/AC(Steady/Flashing)



- Wiring both external power line and transistor
- QWTD allows steady/flash mode by wiring
- External power line standard, UL1015 AWG18(0.75sq)×2C 400mm
- Signal line standard, UL1007 AWG22(0.3sq) 400mm



Customization

- Special color combinations



Ordering Specification

QWTDL	-	WS	-	3	-	110/220	-	RAG
[Model number]		[Sounds]		[Layers]		[Voltage]		[Color]
<ul style="list-style-type: none"> • QWTDL • QWTDLF 		<ul style="list-style-type: none"> • WS-Warning sound • WP-Special warning sound • WM-Melody • WA-Alarm 		<ul style="list-style-type: none"> • 1-1Layer • 2-2Layers • 3-3Layers • 4-4Layers • 5-5Layers 		<ul style="list-style-type: none"> • 12-DC12V • 24-DC24V • 110/220 • -AC110V-220V 		<ul style="list-style-type: none"> • R-Red • A-Amber • G-Green • B-Blue • W-White