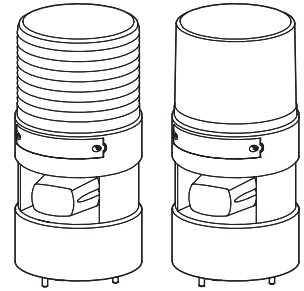


Signal/ Warning Lights with Built-in Sounder

STND125-N



Thank you for purchasing Qlight's products. Please read this user manual carefully prior to installation and operation to ensure safe and correct use.

⚠️ Precautions for Safety

Failure to follow the instructions below may cause a loss of life or serious physical injury.

1. During wiring or maintenance, please completely turn off the power of the product. (Failure to follow this may lead to an electric shock.)
2. Do not install the product in locations that subjects it to excessive dust or water other than the conditions designated by the IP protection ratings indicated for each product. (Failure to follow these instructions may cause a fire to the product, electric shock, physical injury, malfunction or damage to the product.)
3. Do not alter or repair this product. If maintenance or repair service is required, please contact your local Qlight contact point. (Failure to follow these instructions may lead to fire, electric shock, or product damage.)
4. Please apply the correct voltage to the product. (Failure to follow these instructions may lead to fire, electric shock, or product damage.)
5. When the product is applied to a condition that may impact lives or property, please make sure to have a double safety device. (Failure to follow this may cause damage to property, fire, electric shock and loss of life.)

⚠️ Precautions for Correct Use

Failure to follow the proper instructions may cause damage to property, the product, and or malfunction of the product that would void the warranty.

1. Please remove any objects that can interrupt ventilation around the product.
2. Please turn off the power of the product immediately if it fails to operate properly.
3. Carefully wire the product according to each product's specification.
4. Please be careful in preventing chemicals such as thinner, benzene, etc. in contact with the surface of the product.
5. Do not apply excessive force/impact to the product.
6. Failure to follow any of the instructions above may cause malfunction or damage to the product, fire, and electric shock.

Ordering Specifications

STND125LR-N	-	24	-	R
[Model number]		[Voltage]		[Color]
I		I		I
<ul style="list-style-type: none"> • STND125LR-N • STND125L-N • STND125R-N 		<ul style="list-style-type: none"> • 12-DC12V • 24-DC24V • 12/24-DC12-24V(STND125L-N only) • 110/220- AC110V-220V 		<ul style="list-style-type: none"> R-Red A-Amber G-Green B-Blue



Please scan the QR code for more detailed product information.

www.qlight.com

Product Specifications

Model number	Voltage	Current	Sound pattern and volume	Certificate	Weight	Color
STND125LR-N	DC12V	0.645A	<ul style="list-style-type: none"> • Bit Input: 5Ch • Binary Input: 30Ch • Built-in sounds: Max.105dB (Based on WS-Ch5) 	CE	1.35Kg	R-Red A-Amber G-Green B-Blue
	DC24V	0.365A			1.73Kg	
	AC110V-220V	Max.0.200A			1.32Kg	
STND125L-N	DC12V	0.570A			1.65Kg	
	DC24V	0.360A				
	AC110V-220V	Max.0.200A				

Model number	Voltage	Current	Bulb specifications			Sound pattern and volume	Certificate	Weight	Color
			Volts/Watts	Configuration	Part#				
STND125R-N	DC12V	1.190A	12V10W	T16x35 15S	9	<ul style="list-style-type: none"> • Bit Input: 5Ch • Binary Input: 30Ch • Built-in sounds: Max.105dB (Based on WS-Ch5) 	CE	1.27Kg	R-Red A-Amber G-Green B-Blue
	DC24V	0.725A	24V10W		10			1.62Kg	
	AC110V-220V	Max.0.355A	24V10W		10				

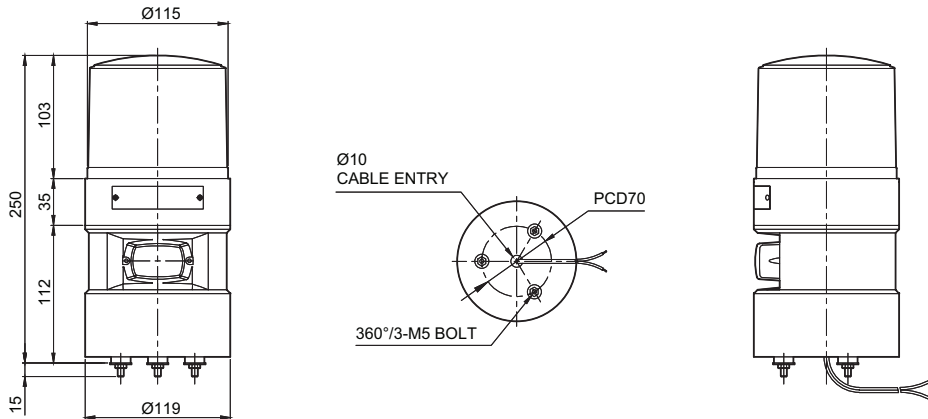
※ CE compliant : DC24V

- Protection rating : IP54
- Ambient operating temperature : -20°C to +50°C (STND125LR-N, STND125R-N)
-30°C to +50°C (STND125L-N)

Dimensions

(Units : mm)

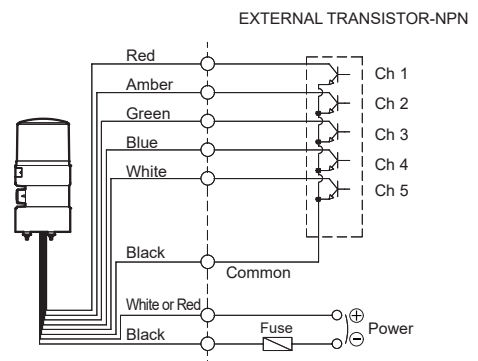
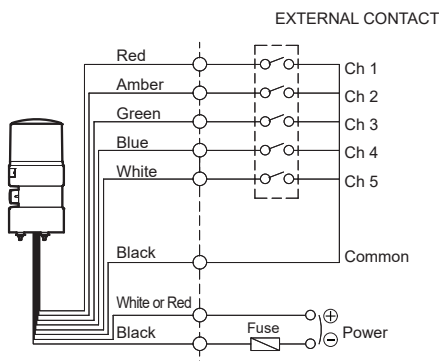
STND125LR-N/ STND125L-N/ STND125R-N



Wiring Instructions

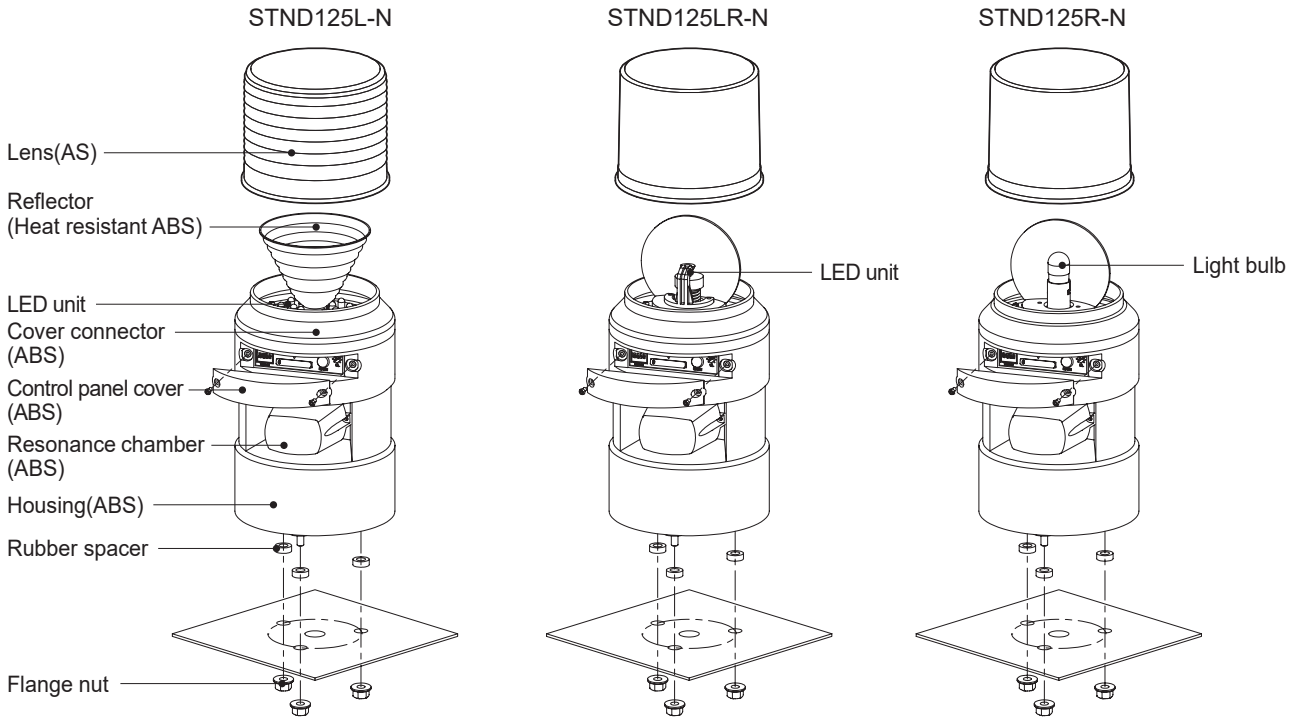
STND125LR-N/ STND125L-N/ STND125R-N-DC/AC

STND125L-N-DC/AC



- External power line - UL1015 AWG18(0.75sq) x 2C 400mm
- External signal line - UL1007 AWG22(0.3sq) 400mm
- Black wire is (-) polarity for models STND125R-N, STND125LR-N.

Parts Definition/ Installation



- First, remove the flange nuts from bolts and place the product through the mounting surface holes.
- Fasten the flange nuts on the opposite side of the mounting surface until the product is tightened securely.

Bit/ Binary Input Method Depending on Wiring Method

■ Bit Input Mode

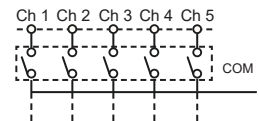
- Bit input mode(using external line) allows you to select one of five sound options by switching on one of the 5 channels (Ch1 - Ch5).
- Total of 5 sound options are configurable.

■ Binary Input Mode

- Binary input mode(using external line) allows you to receive multiple inputs by using the 5 channels (Ch1 - Ch5) to configure one of 30 sound options.
- Total of 30 sound options are configurable.

※ The channel selection method using a transistor is the same as the external contact method, please refer to the figure on the right.

※ The switch figure to the right explains how to wire the external contacts of a signal line product. If the product is not a signal line product, use the channel selection switch attached inside the product.



Bit Input Mode
Can select up to 5 sound options

Binary Input Mode
Can select up to 30 sound options

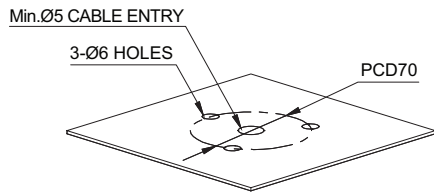
	Ch1	Ch2	Ch3	Ch4	Ch5
ON(1)	<input type="checkbox"/>	<input type="checkbox"/>	<input type="checkbox"/>	<input type="checkbox"/>	<input type="checkbox"/>
OFF(0)	<input type="checkbox"/>	<input type="checkbox"/>	<input type="checkbox"/>	<input type="checkbox"/>	<input type="checkbox"/>
No.	1	2	3	4	5
0	0	0	0	0	0
1	1	0	0	0	0
2	0	1	0	0	0
3	0	0	1	0	0
4	0	0	0	1	0
5	0	0	0	0	1
0	0	0	0	0	0
1	0	0	0	0	1
2	0	0	0	1	0
29	1	1	1	0	1
30	1	1	1	1	0

Installation Environment and Protection Rating

- This product is designed for use with protection rating of IP54.
- If the product is installed in locations that subject it to excessive dust or water other than the designated IP protection rating indicated(IP54), it may cause malfunction or damage to the product.
- In case of outdoor applications, install the product in the upright or horizontal position. Do not install the product upside-down or in positions where water can potentially penetrate into the product and impact its operation.
- For further information, please visit our website(www.qlight.com).

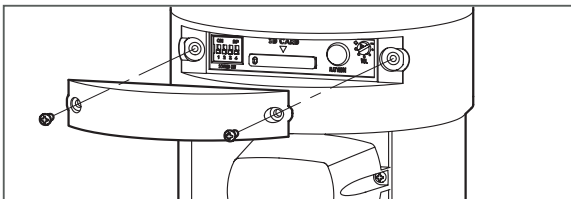
Mounting Hole Specifications

- Machine holes on the mounting surface referring to the diagram on the right.



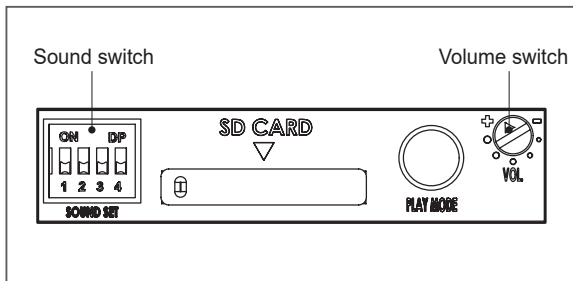
STND125LR-N/ STND125L-N/ STND125R-N

Front Cover Removal Instructions



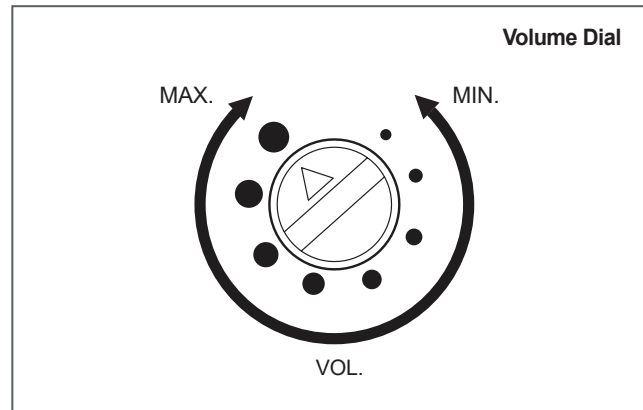
- To access the control panel, remove the front cover by unscrewing the M3 bolts on the front cover.

Front Control Configuration

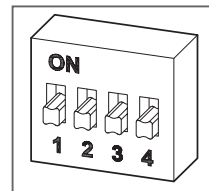


Volume Adjustment

- The volume output of this product is adjustable.
- Turn the volume dial clockwise to increase the volume, and turn counter clockwise to decrease the volume.
- There will be no sound when the dial is put at MIN.



Sound Setting



- Built-in sounds can be selected by using a switch either bit or binary sounds.
- Please be conscious of the number selected for your desired sound option.
 - Switch No. 1 : Select Bit or Binary
 - Switch No. 2,3,4 : Select Built-in sound group

Select built-in Bit sound group

- It is being used when built-in sound is selected.
- Select between the six sound groups.
- Every group has 5 type of sounds.

How to select bit type sound group					
No.	ON(1) OFF(0)	<input type="checkbox"/>	<input type="checkbox"/>	<input type="checkbox"/>	Sounds
		2	3	4	
1	0	0	1	5 Warning Sounds	
2	0	1	0	5 Special Warning Sounds (1st Group)	
3	0	1	1	5 Melodies	
4	1	0	0	5 Alarms	
5	1	0	1	5 Special Warning Sounds (2nd Group)	
6	1	1	0	5 Special Warning Sounds (3rd Group)	

Select built-in Bit sound group or Binary sound group



- In bit input mode, Please set switch no.1 to off(0).
- In binary input mode, Please set switch no.1 to ON(1).

Sound Type and Combination Manual

■ Bit Input - Playing Built-in Sound

- In bit input mode, you can choose one sound from 1 sound by configuring the 5 channels.
- For sound configurations, refer to the table below.

Bit input method sound configuration						
	Ch1	Ch2	Ch3	Ch4	Ch5	Type of sound (WS group as an example)
No.	1	2	3	4	5	
0	0	0	0	0	0	No sound
1	1	0	0	0	0	Fire.A-ANG(560Hz-1.5kHz)
2	0	1	0	0	0	Emergency WA-U (600Hz-1.5kHz)
3	0	0	1	0	0	Ambulance PI-PO (450Hz-900Hz)
4	0	0	0	1	0	Machinery Fault(820Hz)
5	0	0	0	0	1	High Expansion(1kHz)

※ Please be noted that the configuration chart above is explaining how to wire terminal blocks. The actual product does not have a switch.

■ Sound Type by Group

Bit input method sound configuration		
Group	Channel	Type of sound
WS	5 Warning Sounds	Ch1 Fire.A-ANG (560Hz-1.5kHz)
		Ch2 Emergency WA-U (600Hz-1.5kHz)
		Ch3 Ambulance PI-PO (450Hz-900Hz)
		Ch4 Machinery Fault (820Hz)
		Ch5 High Expansion (1kHz)
WP	5 Special Warning Sounds (1st Group)	Ch1 Fire.A-ANG (560Hz-1.5kHz)
		Ch2 Abandon Alarm (820Hz)
		Ch3 Machinery Fault (820Hz)
		Ch4 High Expansion (1kHz)
		Ch5 7 Short Pl. / 1 Long (1kHz)
WM	5 Melodies	Ch1 Sweet Home
		Ch2 For Elise
		Ch3 Cuckoo's Waltz
		Ch4 Piano Sonata
		Ch5 Turkish March
WA	5 Alarms	Ch1 Beep Intermittent
		Ch2 Door Chime
		Ch3 Phone Ring
		Ch4 PI.PI.PI Short
		Ch5 Tripping Beat
WO	5 Special Warning Sounds (2nd Group)	Ch1 Rel rel rel (730Hz-920Hz)
		Ch2 Slow Ambulance PI-PO (820Hz-1.05kHz)
		Ch3 Wye yong Wye yong (770Hz-1.2kHz)
		Ch4 Phone ring 2 (740Hz-910Hz)
		Ch5 Fire.A-ANG (770Hz-1.11kHz)
WN	5 Special Warning Sounds (3rd Group)	Ch1 Oit Oit (500Hz-1.11kHz)
		Ch2 Pi o Pi o (940Hz-2.19kHz)
		Ch3 Slow Di o Di o (680Hz-840Hz)
		Ch4 Li long Li ling (420Hz-470Hz)
		Ch5 911 Siren (150Hz-1kHz)

■ Binary Input - Playing Built-in Sound

- In binary input mode, you can choose one sound from 30 sounds by configuring the 5 channels.
- For sound configurations, refer to the table below.
- Please be aware that the configuration for sound using the binary input method is different from the bit input method.

Binary input method sound configuration						
	Ch1	Ch2	Ch3	Ch4	Ch5	Type of sound
No.	1	2	3	4	5	
0	0	0	0	0	0	No sound
1	0	0	0	0	1	Fire.A-ANG (560Hz-1.5kHz)
2	0	0	0	1	0	Emergency WA-U (600Hz-1.5kHz)
3	0	0	0	1	1	Ambulance PI-PO (450Hz-900Hz)
4	0	0	1	0	0	PI-ik PI-ik (800Hz)
5	0	0	1	0	1	Machinery Fault (820Hz)
6	0	0	1	1	0	High Expansion (1kHz)
7	0	0	1	1	1	Alarm (1kHz)
8	0	1	0	0	0	Sweet Home
9	0	1	0	0	1	For Elise
10	0	1	0	1	0	Cuckoo's Waltz
11	0	1	0	1	1	Piano Sonata
12	0	1	1	0	0	Turkish March
13	0	1	1	0	1	Magic Flute
14	0	1	1	1	0	Badinerie
15	0	1	1	1	1	Pineapple Rag
16	1	0	0	0	0	Beep Intermittent
17	1	0	0	0	1	Door Chime
18	1	0	0	1	0	Phone Ring
19	1	0	0	1	1	PI.PI.PI Short
20	1	0	1	0	0	Tripping Beat
21	1	0	1	0	1	Rel rel rel (730Hz-920Hz)
22	1	0	1	1	0	Slow Ambulance PI-PO (820Hz-1.05kHz)
23	1	0	1	1	1	Wye yong Wye yong (770Hz-1.2kHz)
24	1	1	0	0	0	Phone ring 2 (740Hz-910Hz)
25	1	1	0	0	1	Fire.A-ANG (770Hz-1.11kHz)
26	1	1	0	1	0	Oit Oit (500Hz-1.11kHz)
27	1	1	0	1	1	Pi o Pi o (940Hz-2.19kHz)
28	1	1	1	0	0	Slow Di o Di o (680Hz-840Hz)
29	1	1	1	0	1	Li long Li ling (420Hz-470Hz)
30	1	1	1	1	0	911 Siren (150Hz-1kHz)

※ Please be noted that the configuration chart above is explaining how to wire terminal blocks. The actual product does not have a switch.

Operation Method and Setting

When Using a Built-in Sound Source	
Bit input	Binary input
Play one of five sounds from 6 groups	Play one of 30 sounds

■ When using a built-in sound source in bit input mode

※ Sound switch setting → Channel selection

1. Please set switch no. 1 to off.
 - For more information, see page 4 '**Sound Selection**' section.
2. Use one of the SOUND setting switches 2, 3 and 4 to select one of the 6 groups.
 - For more information, see page 4 '**Sound Selection**' section.
3. Use the terminal block on the back to select one of the five built-in sounds.
 - For more information, please refer to page 5 '**Sound Type and Combination for Built-in Sound**' - '**Bit Input**' section.

■ When using a built-in sound source in binary input mode

※ Sound switch setting → Channel selection

1. Please set switch no. 1 to ON.
 - For more information, see page 4 '**Sound**' section.
2. Use the terminal block on the back to select one of the 30 built-in sounds.
 - For details, please refer to page 5 '**Sound Type and Combination for Built-in Sound**' - '**Binary input**' section.

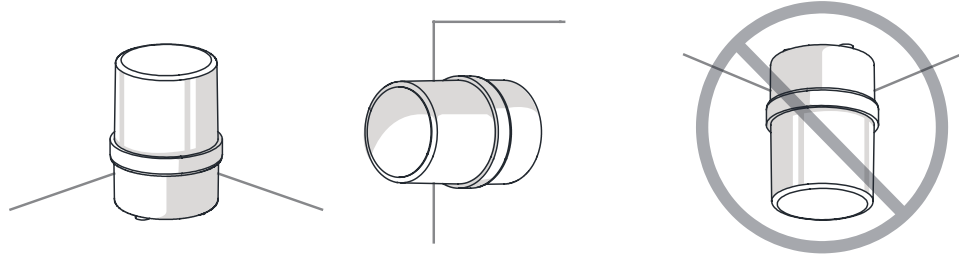
Product installation direction

- Install the product in accordance with the manual. Otherwise rainwater or moisture may penetrate into the product.

· BEACON/SIGNALING LIGHT

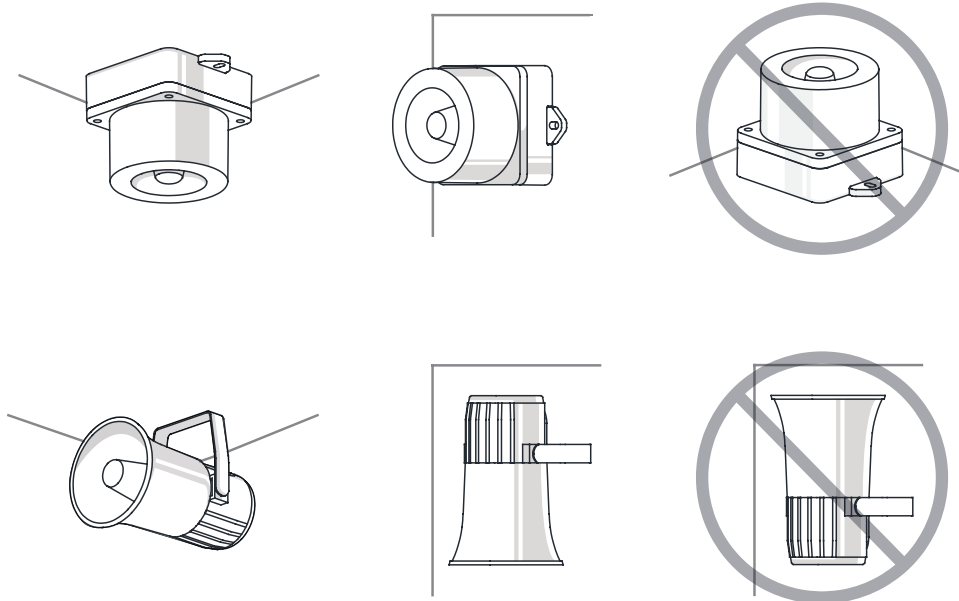
※ For products with a protection rating of less than IPX4, please install it vertically.

Power cord inlet part shall not be facing the sky.



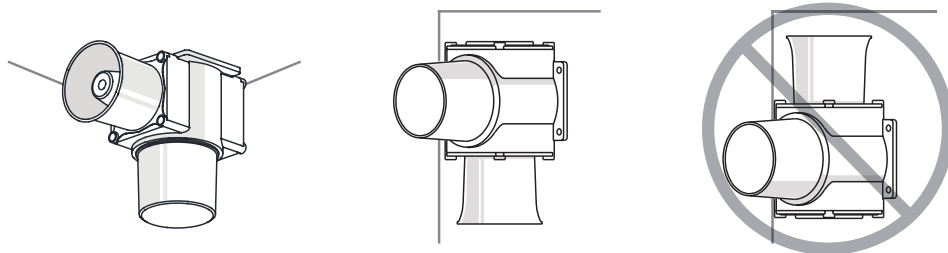
· ELECTRONIC SOUNDER/SIGNAL HORN

Sounder part shall not be facing the sky.



· HEAVY-DUTY & EXPLOSION PROOF SIGNALINGS

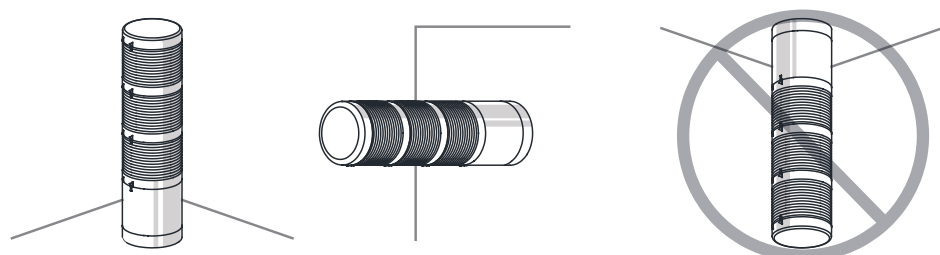
Sounder part shall not be facing the sky.



· SIGNAL TOWER LIGHTS

※ For products with a protection rating of less than IPX4, please install it vertically.

Power cord inlet part shall not be facing the sky.





For your safety

Specification and dimensions listed in this catalogue subject to change without notice for product quality improvement.
The newest product information is available on our website.(www.qlight.com)
Please read the instruction manual attached to the product carefully before installation and use.

Qlight Co., Ltd. www.qlight.com | trade@qlight.com

Head Office | Suite #1510, STX-V Tower, 128 Gasan digital 1-ro, Geumcheon-gu, Seoul, Korea

Tel. +82-2-2679-6152(Toll free. +82-80-328-2222) Fax. +82-2-2679-6154

Factory | 185-25, Mukbang-ro, Sangdong-myeon, Gimhae-si, Gyeongsangnamdo, Korea Tel. +82-55-328-1111(Toll free. +82-80-328-1111)

Qlight OverSEAs Sales Dept | 704 Nakdong-daero, Sasang-gu, Busan, Korea(Eomgung-Dong) Tel : +82-51-620-4100

Qlight Public Relations & Marketing Team Office | 704 Nakdong-daero, Sasang-gu, Busan, Korea(Eomgung-Dong) Tel. +82-51-245-0017

Qlight USA, Inc. www.qlight.com www.qlightusa.com | sales@qlightusa.com

3003 North First Street, Suite #341, San Jose, CA 95134 USA Tel. +1-408-519-5740 Fax. +1-408-519-5739

SHANGHAI Qlight Electronic Co., Ltd. www.qlight.com www.qlightcn.com | qlightcn@qlight.com

China Factory/ Shanghai Sales Office | #19, Nanda Road, Baoshan Area, Shanghai, China Tel. +86-21-6651-7100 Fax. +86-21-6315-3929

China Factory Site 2 (Qidong) | #33, Haiyan Road, Qidong High-tech Industrial Development Zone, Qidong, Jiangsu Province, China

Tel +86-513-8384-9999 Fax +86-513-8384-9910

Qlightec

Innovation in Alarm & Signal

Product Operation Inquiry / Customer Support +82-51-620-4100

You can expect prompt service if you have exact information such as model name, symptom, telephone number and address.

※ ALL PRODUCT, PRODUCT SPECIFICATIONS AND DATA ARE SUBJECT TO CHANGE WITHOUT NOTICE TO IMPROVE RELIABILITY, FUNCTION OR DESIGN OR OTHERWISE.

Head office : Suite #1510, STX-V Tower, 128 Gasan digital 1-ro, Geumcheon-gu, Seoul, Korea (Postal Code : 08507)

Factory : 185-25, Mukbang-Ro, Sangdong-Myeon, Gimhae-Si, Gyeongsangnam-Do, Korea (Postal Code : 50805)

www.qlight.com

EN - STND125L-N - 2305A