

STND Series

Warning lights with electric horn supports 30 prerecorded, 30 user defined sound tones(MP3)

PRODUCT SPECIFICATION

STNDL | STND100 | STND125
STNDL-N | STND100-N | STND125-N

Materials Lens-AS, Housing-ABS,
Reflector-Heat resistant ABS

Protection rating IP54

Compliant with RoHS directive

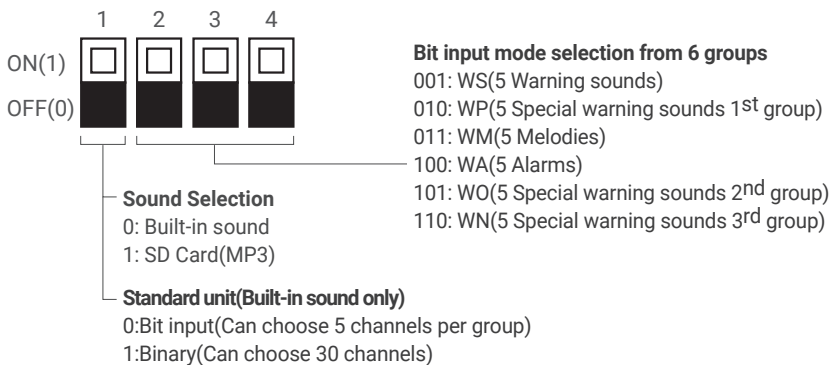
- Combination of warning light and horn allows transmission of both visual and audible signals together
- Appropriate sound tones can be chosen depending on the various working environments among the various type of available sound tones
- Sound tone selector and volume controller in front of the device allows convenient use
- SD Card type allows user defined sound tone
- Built-in 30 sound tones, support binary and bit input modes
- Binary input mode allows the user to select from 30 different sound options with the tone selection switch
- Bit input mode consists of 5 sound types with 6 groups. Choose one of the groups to play 5 sounds from that group.(MP3 is separate from the 6 groups)
- Standard unit choose built-in sound only. It can choose 30 sounds in accordance with the customer's needs.



STND Series

Sound Selection Instruction for SDcard Type

- SD card type unit
- It can choose both built-in sounds and user defined sounds(MP3) by controlling sound setup switch no. 1.
- Standard unit
- It can choose both Bit input mode and Binary input mode by controlling sound setup switch no. 1.



- 30 pre-recorded sounds offered(5 warning sounds, 5 special warning sounds 1st group, 5 melodies, 5 alarms, 5 special warning sounds 2nd group, 5 special warning sounds 3rd group)
- External MP3 sound support(SD card)
- Binary input: 30 channels
- Bit input: 5 channels(6 sound groups)
- A multi-functional product that can use an SD card for MP3 playback
- Please refer to [Sound pattern and combination for multifunctional product] on this catalogue for channel input setting.

Features per modelst

	STNDL/STND100 STND125(MP3)	STNDL-N/STND100-N STND125-N (standard unit)	Column
Support SD card(MP3)	0	X	
Support 30 built-in sounds	0	0	
Play mode	0	X	
Bit/Binary input	0	0	Please refer to sound setup switch manual parts

STNDL / STND100,125(MP3)

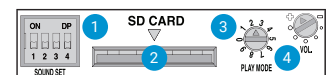
- User defined 30 sounds
- 30 built-in sounds

STNDL-N / STND100,125-N (standard unit)

- 30 built-in sounds

Multifunctional Type

- Standard unit does not support either SD card or Play mode.



- 1 Switch for Sound Selection
- 2 SD Card Slot
- 3 for MP3
- 4 Switch for Volume Adjustment

User-defined sound(MP3)

- User-defined sound(MP3) type



Customer can create a playlist and grouping conveniently through PC. Product supports up to 32Gbyte. SD Card is an optional item.



STND125LR-N LED Revolving Light & Electric Horn

Model number	Voltage	Current	Sound Pattern and volume	Certificates	Weight	Color
STND125LR-N	DC12V	0.645A	·Bit Input: 5Ch ·Binary Input: 30Ch ·Built-in sounds : Max.105dB (Based on WS-Ch5)	CE	1.35kg	● R-Red
	DC24V	0.365A			1.35kg	● A-Amber
	AC110V -220V	Max. 0.200A			1.73kg	● G-Green ● B-Blue

- Excellent omni-directional visibility with LED light collecting system and special multifaceted reflector
- Ambient operating temperature: -20°C to +50°C/Revolving speed: 120-140RPM
- ※ CE compliant: DC24V

STND125L-N LED Steady/Flashing Light & Electric Horn

Model number	Voltage	Current	Sound Pattern and volume	Certificates	Weight	Color
STND125L-N	DC12V	0.570A	·Bit Input: 5Ch ·Binary Input: 30Ch ·Built-in sounds : Max.105dB (Based on WS-Ch5)	CE	1.32kg	● R-Red
	DC24V	0.360A			1.65kg	● A-Amber
	AC110V -220V	Max. 0.200A			1.65kg	● G-Green ● B-Blue

- Excellent visibility that employs a special scattering lens
- Ambient operating temperature: -30°C to +50°C
- Flashing rate: 60-80/min(Built-in switch for selection between steady and flashing mode)
- ※ CE compliant: DC24V

STND125R-N Bulb Revolving Light & Electric Horn

Model number	Voltage	Current	Bulb			Sound Pattern and volume	Certificates	Weight	Color
			Spec	Standard	Parts no				
STND125R-N	DC12V	1.190A	12V10W	T16x35 15S	9	·Bit Input: 5Ch ·Binary Input: 30Ch ·Built-in sounds: Max.105dB (Based on WS-Ch5)	CE	1.27kg	● R-Red
	DC24V	0.725A	24V10W		10			1.27kg	● A-Amber
	AC110V -220V	Max. 0.355A	24V10W		10			1.62kg	● G-Green ● B-Blue

- Ambient operating temperature: -20°C to +50°C
- Revolving speed: 120-140RPM
- ※ CE compliant: DC24V



STND125LR-N



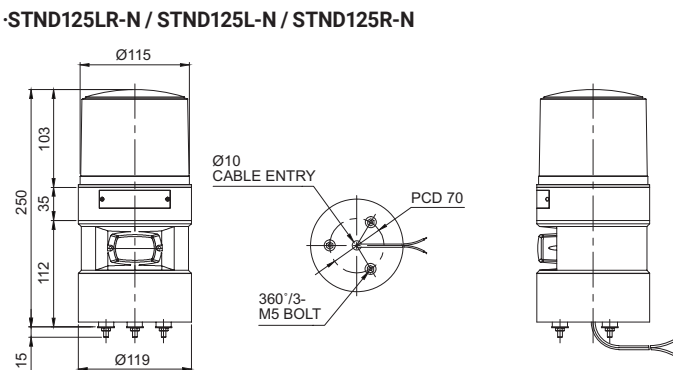
STND125L-N



STND125R-N

Technical Diagram

Units: mm



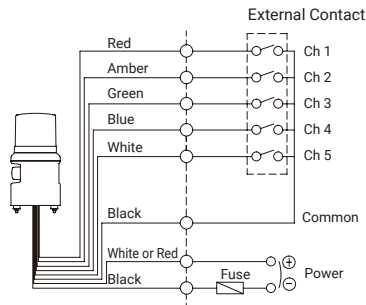
Ordering Specification

STND125LR-N	-	24	-	R
[Model number]		[Voltage]		[Color]
STND125LR-N		12-DC12V		● R-Red
STND125L-N		24-DC24V		● A-Amber
STND125R-N		12/24-DC12V-24V (STND125L-N only)		● G-Green
		110/220-AC110V-220V		● B-Blue

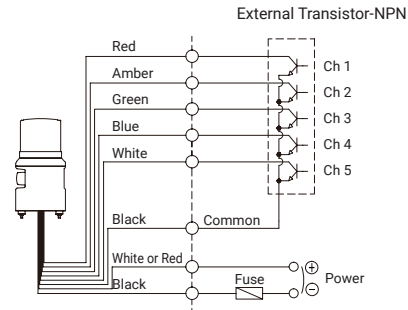
STND Series

Wiring Instructions

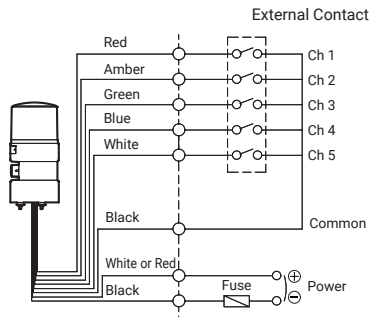
- STND100LR / STND100L / STND100R-DC/AC
- STND100LR-N/STND100L-N/STND100R-N-DC/AC



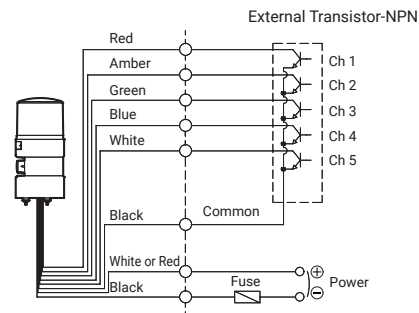
- STND100DL-DC/AC
- STND100L-N-DC/AC



- STND125LR / STND125L / STND125R-DC/AC
- STND125LR-N/STND125L-N/STND125R-N-DC/AC



- STND125DL-DC/AC
- STND125L-N-DC/AC



- In case of Bit input, 5 sound tones can be played. For Binary input, 30 sound tones can be played.
- STND100R, STND100LR, STND125R, STND125LR : Black output line is negative(-)
- ※ Please refer to [Sound pattern and combination for multifunctional product] on this catalogue for channel input setting (Wiring instruction is replaced to channel selection switch)



Do not apply a voltage to each signal line. It may cause damage to the product

- NPN transistor(non-external contact control) can be enabled by using the flashing common line for the light source.
- Each unit's light source and signal sound do not operate identically even though multiple units are working at the same time.
- Do not short-circuit between steady common and flash common. Signal light won't work properly.