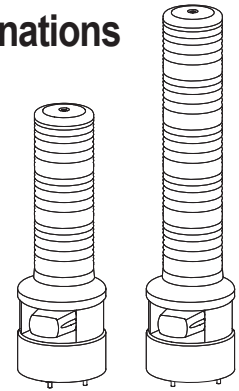


LED Steady/Flashing Tower Light and Alarm Sounder Combinations

STD(L)(F)



Thank you for purchasing Qlight's products. Please read this user manual carefully prior to installation and operation to ensure safe and correct use.

⚠ Precautions for Safety

Failure to follow the instructions below may cause a loss of life or serious physical injury.

1. During wiring or maintenance, please completely turn off the Power of the product. (Failure to follow this may lead to an electric shock.)
2. Do not install the product in locations that subjects it to excessive dust or water other than the conditions designated by the IP protection ratings indicated for each product. (Failure to follow these instructions may cause a fire to the product, electric shock, physical injury, malfunction or damage to the product.)
3. Do not alter or repair this product. If maintenance or repair service is required, please contact your local Qlight contact point. (Failure to follow these instructions may lead to fire, electric shock, or product damage.)
4. Please apply the correct voltage to the product. (Failure to follow these instructions may lead to fire, electric shock, or product damage.)
5. When the product is applied to a condition that may impact lives or property, please make sure to have a double safety device. (Failure to follow this may cause damage to property, fire, electric shock and loss of life.)

⚠ Precautions for Correct Use

Failure to follow the proper instructions may cause damage to property, the product, or malfunction of the product that would void the warranty.

1. Please remove any objects that can interrupt ventilation around the product.
2. Please turn off the Power of the product immediately if it fails to operate properly.
3. Carefully wire the product according to each product's specification.
4. Please be careful in preventing chemicals such as thinner, benzene, etc. in contact with the surface of the product.
5. Do not apply excessive force/impact to the product.
6. Failure to follow any of the instructions above may cause malfunction or damage to the product, fire, and electric shock.

Ordering Specifications

STD(L)	-	WA	-	3	-	24	-	R
[Model number]		[Sound]		[Layer]		[Voltage]		[Color]
<ul style="list-style-type: none"> • STD(L) • STD(L)F 		<ul style="list-style-type: none"> • WS- Warning sounds • WM- Melodies • WA- Alarms • WV- Customizable sounds 		<ul style="list-style-type: none"> • Layer1-1 • Layer2-2 • Layer3-3 • Layer4-4 • Layer5-5 		<ul style="list-style-type: none"> • 12-DC12V • 24-DC24V • 110- AC110V • 220- AC220V 		<ul style="list-style-type: none"> R-Red A-Amber G-Green B-Blue W-White



Please scan the QR code for more detailed product information.

www.qlight.com

Product Specifications

Model number	Layer	Voltage	Current	Sound pattern and volume	Certificate	Weight	Color
STDL steady STDLF steady/flashing	1	DC12V	0.380A	<ul style="list-style-type: none"> • WS -5 Warning sounds : Max.105dB • WM-5 Melodies : Max.105dB • WA-5 Alarms : Max.103dB • WV-5 Customizable sounds :91-100dB 	CE	DC-0.80kg AC-1.39kg	R-Red
		DC24V	0.330A				
		AC110V	0.115A				
		AC220V	0.058A				
	2	DC12V	0.490A			DC-0.91kg AC-1.36kg	R-Red A-Amber
		DC24V	0.440A				
		AC110V	0.121A				
		AC220V	0.061A				
	3	DC12V	0.600A			DC-1.05kg AC-1.49kg	R-Red A-Amber G-Green
		DC24V	0.550A				
		AC110V	0.127A				
		AC220V	0.064A				
	4	DC12V	0.710A			DC-1.16kg AC-1.61kg	R-Red A-Amber G-Green B-Blue
		DC24V	0.660A				
		AC110V	0.133A				
		AC220V	0.067A				
	5	DC12V	0.820A			DC-1.30kg AC-1.74kg	R-Red A-Amber G-Green B-Blue W-White
		DC24V	0.770A				
		AC110V	0.139A				
		AC220V	0.070A				

※ CE compliant : DC24V

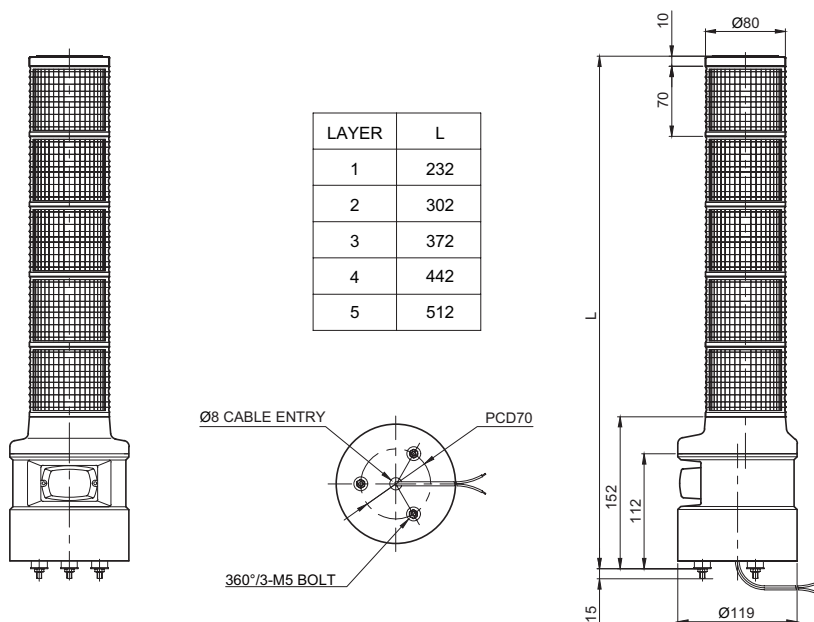
※ Max. built-in volume feature is based on WS-Ch3 / WM-Ch4 / WA-Ch1.

- Protection rating : IP54
- Ambient operating temperature : -30°C to +50°C

Dimensions

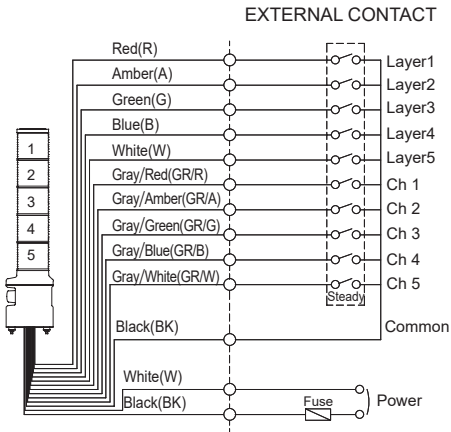
(Units : mm)

STDL/ STDLF

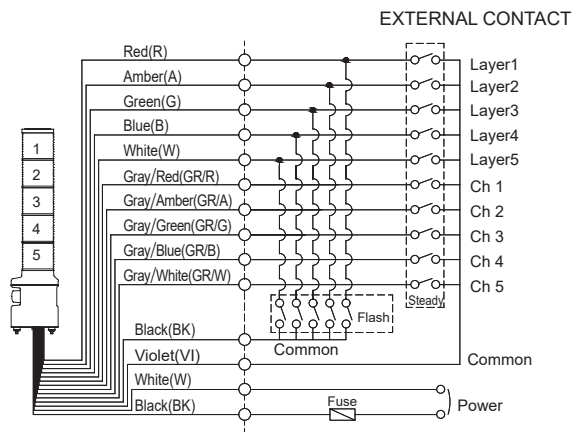


Wiring Instructions

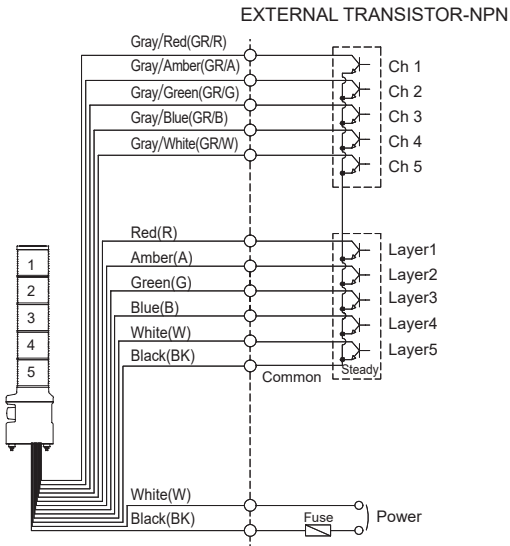
STDL-DC/AC(steady)



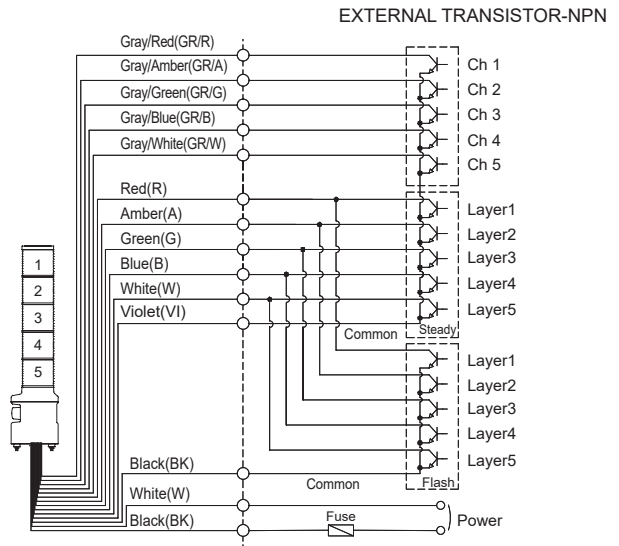
STDLF-DC/AC(steady/flashing)



STDL-DC/AC(steady)

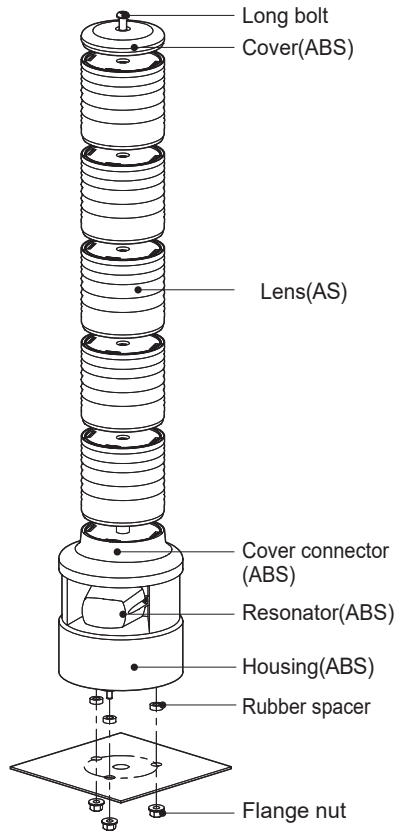


STDLF-DC/AC(steady/flashing)



- External Power line - UL1015 AWG18(0.75sq) x 2C 400mm
- External signal line - UL1007 AWG22(0.3sq) 400mm
- This product can be wired regardless of polarity.

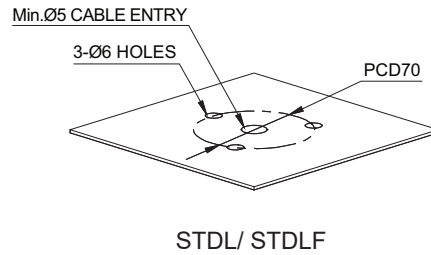
Parts Definition/ Installation



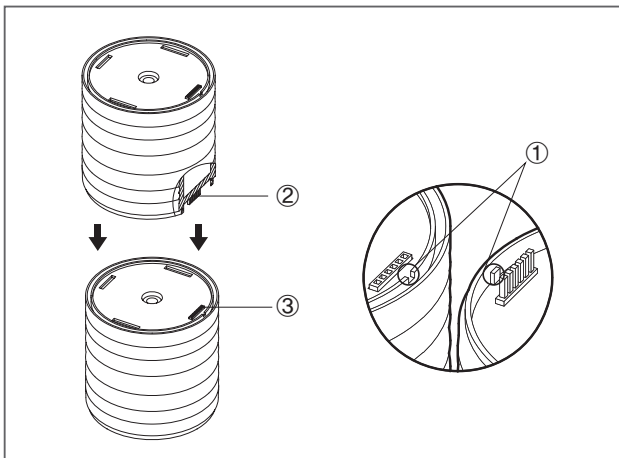
- First, remove the flange nuts from bolts and place the product through the mounting surface holes.
- Fasten the flange nuts on the opposite side of the mounting surface until the product is tightened securely.

Mounting Hole Specifications

- Machine holes on the mounting surface referring to the diagram below.

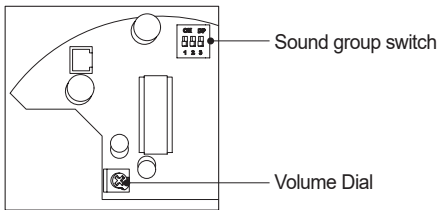


How to Change Lens Kit



- When rearranging or replacing the lens kits, please be aware of the contact point ① and the connector pin ② marked in the diagram on the left.
 - Press down to assemble the lens kits while making sure that connector pin ② and connector ③ aligns correctly.
 - Please make sure that the rubber spacer placed on the top of each lens kit is tightly secured to the bottom of the other lens kit.
- ※ Caution when dealing with lens kit
- Lens kits are connected with connector pins each other. Bad connection may be experienced when the connector pins are touched with a foreign substance.
 - If the lens kits are not turned on or not flashed after lens kits replacement, please make sure status of lens kit connection.

Sound Type by Group



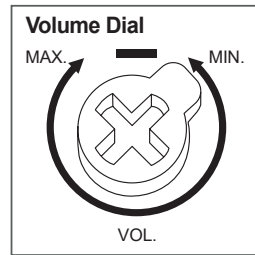
- The standard type product has a tone setting switch and volume control built-in inside the product.
- Select the desired channel using the channel selection switch
- For tone group settings, refer to the website [Customer Support] - [Technical Data] - [Types of Tone and Combination of General Tone products].

■ Sound Type by Group

Category	Sound pattern	Channel	Sound tone	Volume (Max.)
WS	5 Warning sounds	Ch1	Fire	Max. 105dB
		Ch2	Emergency	
		Ch3	Ambulance	
		Ch4	Machinery Fault	
		Ch5	High Expansion	
WM	5 Melodies	Ch1	Sweet Home	Max. 103dB
		Ch2	For Elise	
		Ch3	Cuckoo's Waltz	
		Ch4	Piano Sonata	
		Ch5	Turkish March	
WA	5 Alarms	Ch1	Beep Intermittent	Max. 103dB
		Ch2	Door Chime	
		Ch3	Phone Ring	
		Ch4	PI.PI.PI Short	
		Ch5	Tripping Beat	
WV	5 Customizable sounds	Ch1- Ch5	Available upon request (customized voice type)	91-100dB

※ In case of customized WV 5 tone type, there may be difference of volume depending on user's audio file type.

Volume Adjustment



- The volume output of this product is adjustable.
- Turn the volume dial clockwise to increase the volume, and turn counter clockwise to decrease the volume.
- There will be no sound when the dial is put at MIN.

Installation Environment and Protection Rating

- This product is designed for use with protection rating of IP54.
- If the product is installed in locations that subject it to excessive dust or water other than the designated IP protection rating indicated (IP54), it may cause malfunction or damage to the product.
- In case of outdoor applications, install the product in the upright position. Do not install the product horizontal or upside down positions where water can potentially penetrate into the product and impact its operation.
- For further information, please visit our website (www.qlight.com).

Mounting Accessories (Sold Separately)

- Please refer to the dimensions below for installation of mounting brackets

	Dimensions	
STDL(F)	<p>SWP125</p>	<p>SWM125</p>

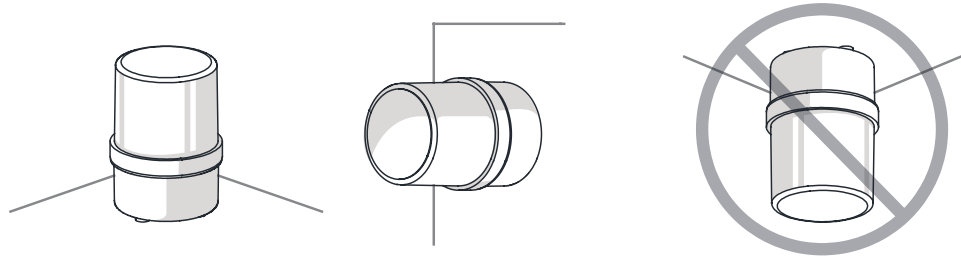
Product installation direction

- Install the product in accordance with the manual. Otherwise rainwater or moisture may penetrate into the product.

· BEACON/SIGNALING LIGHT

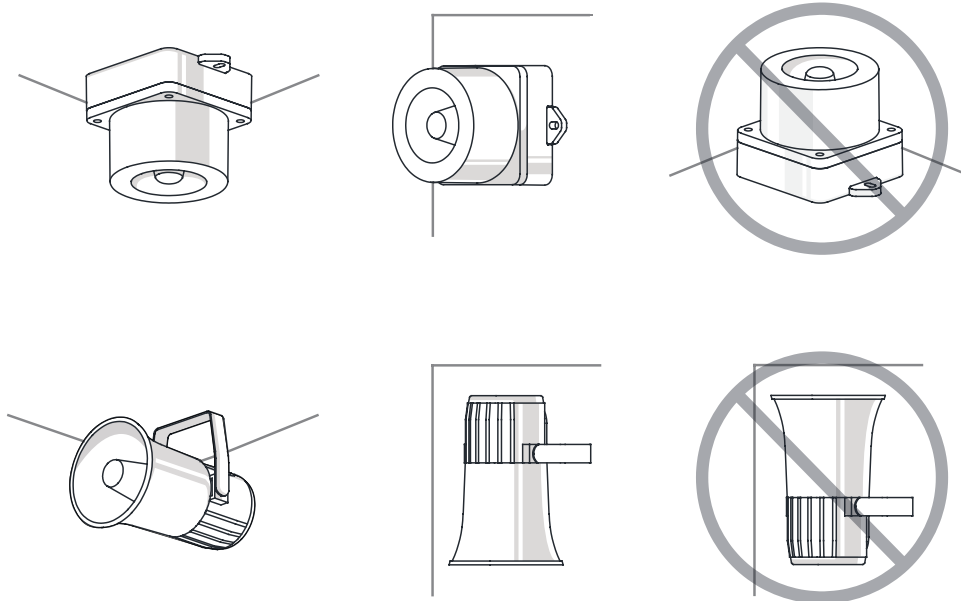
※ For products with a protection rating of less than IPX4, please install it vertically.

Power cord inlet part shall not be facing the sky.



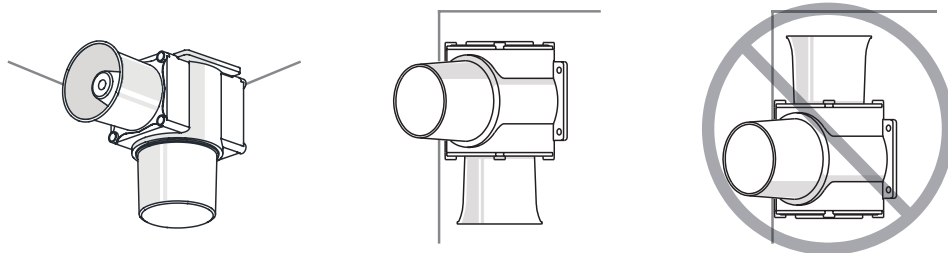
· ELECTRONIC SOUNDER/SIGNAL HORN

Sounder part shall not be facing the sky.



· HEAVY-DUTY & EXPLOSION PROOF SIGNALINGS

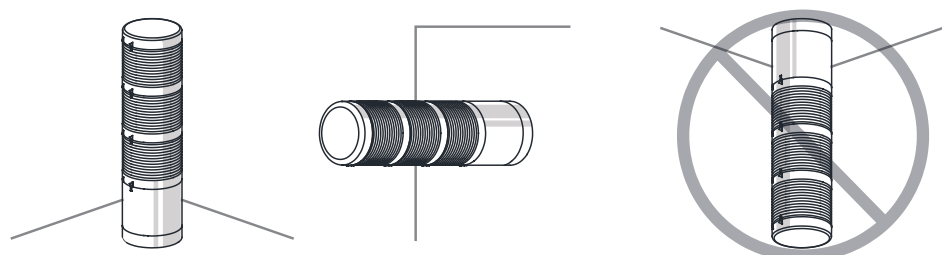
Sounder part shall not be facing the sky.

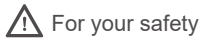


· SIGNAL TOWER LIGHTS

※ For products with a protection rating of less than IPX4, please install it vertically.

Power cord inlet part shall not be facing the sky.





For your safety

Specification and dimensions listed in this catalogue subject to change without notice for product quality improvement.
The newest product information is available on our website.(www.qlight.com)
Please read the instruction manual attached to the product carefully before installation and use.

Qlight Co., Ltd. www.qlight.com | trade@qlight.com

Head Office | Suite #1510, STX-V Tower, 128 Gasan digital 1-ro, Geumcheon-gu, Seoul, Korea

Tel. +82-2-2679-6152(Toll free. +82-80-328-2222) Fax. +82-2-2679-6154

Factory | 185-25, Mukbang-ro, Sangdong-myeon, Gimhae-si, Gyeongsangnamdo, Korea Tel. +82-55-328-1111(Toll free. +82-80-328-1111)

Qlight OverSEAs Sales Dept | 704 Nakdong-daero, Sasang-gu, Busan, Korea(Eomgung-Dong) Tel : +82-51-620-4100

Qlight Public Relations & Marketing Team Office | 704 Nakdong-daero, Sasang-gu, Busan, Korea(Eomgung-Dong) Tel. +82-51-245-0017

Qlight USA, Inc. www.qlight.com www.qlightusa.com | sales@qlightusa.com

3003 North First Street, Suite #341, San Jose, CA 95134 USA Tel. +1-408-519-5740 Fax. +1-408-519-5739

SHANGHAI Qlight Electronic Co., Ltd. www.qlight.com www.qlightcn.com | qlightcn@qlight.com

China Factory/ Shanghai Sales Office | #19, Nanda Road, Baoshan Area, Shanghai, China Tel. +86-21-6651-7100 Fax. +86-21-6315-3929

China Factory Site 2 (Qidong) | #33, Haiyan Road, Qidong High-tech Industrial Development Zone, Qidong, Jiangsu Province, China

Tel +86-513-8384-9999 Fax +86-513-8384-9910

Qlightec

Innovation in Alarm & Signal

Product Operation Inquiry / Customer Support +82-51-620-4100

You can expect prompt service if you have exact information such as model name, symptom, telephone number and address.

※ ALL PRODUCT, PRODUCT SPECIFICATIONS AND DATA ARE SUBJECT TO CHANGE WITHOUT NOTICE TO IMPROVE RELIABILITY, FUNCTION OR DESIGN OR OTHERWISE.

Head office : Suite #1510, STX-V Tower, 128 Gasan digital 1-ro, Geumcheon-gu, Seoul, Korea (Postal Code : 08507)

Factory : 185-25, Mukbang-Ro, Sangdong-Myeon, Gimhae-Si, Gyeongsangnam-Do, Korea (Postal Code : 50805)

www.qlight.com

EN - STDL - 2306A